



MPS-810MP(U)
1 Stage

MPS-802MP
2 Stage

Description

Mircom's MPS-800MP(U) Series Fire Alarm Manual Pull Stations provide manual fire alarm activation. The new MPS-800 Series uses raised symbols and icons instead of printed text that makes them universally recognized.

These addressable pull stations are available as single or two stage dual action devices. Compatible with FX-400 Series and Flex-Net FX-4000 Fire Alarm Panels.

The MPS-800MP(U) manual stations are constructed of high quality polycarbonate resin thermoplastic "LEXAN" that supports high temperatures without deforming.

The MPS-800MP(U) addressable pull stations are accessible from the front for wiring while mounted making it easy to install. These pull stations can be mounted on a single gang backbox and the mounting holes permit easy alignment to the wall.

The suffix "U" indicates USA version.

All manual fire alarm stations shall be installed as per the specific requirements outlined in the UL/ULC codes, as well as all other applicable national or local codes.

Addressing is done using the MIX-4090 Device Programmer. For setting the address on this device, disconnect it from the loop, or ensure that the loop to which is connected is both disconnected from the panel and shorted across the SCL+ and SLC- inputs at the device. Failing to take either of these steps may change the address programming of previously configured sensors on the loop.

Features

- Completely made of LEXAN material
- Closed-fist operation (ADA – Americans with Disability Act)
- No printed text on the devices, symbols and icons are used instead
- Symbols are raised to be easily recognized by touch
- Compatible with FX-400 Series and Flex-Net FX-4000 Fire Alarm Panels
- Easy installation
- Accessible from the front for wiring while mounted
- Mounts on a single gang backbox
- Temperature range from 0°C to 49°C / 32°F to 120°F
- Device comes with a reset key
- Indoor use only
- Alarm LED is viewable from the front - Useful for trouble shooting
- Investigated in accordance to UL 38 and CAN/ULC S528 standards.

Operation

Activating the Alarm

- Push in the push bar
- Pull down the pull handle

Activating the stage two alarm (MPS-802MP and MPS-822MP)

- Insert the stage two key into the stage two keyhole, and then turn the key.
- The stage two alarm activates immediately.

Resetting the manual station

- Insert the key into the reset keyhole and turn it.
- Pull the cover open. The switch is now reset.
- Close and lock the stations with the reset key.
- Reset the Fire Alarm Control Panel to reset the alarm

Note: Resetting the station does not cancel the alarm at the panel



Specifications

Dimensions Manual Pull Station: 5 1/2" H x 4 1/8" W x 1 3/8" D

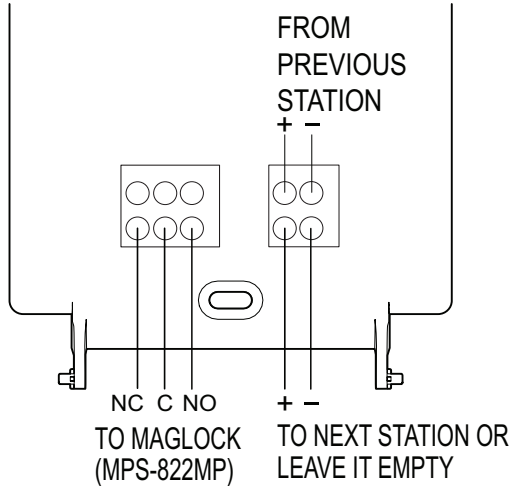
Nominal Operating Voltage: 15-30 VDC

Maximum alarm Current: 3.3 mA

Standby current: 2 mA

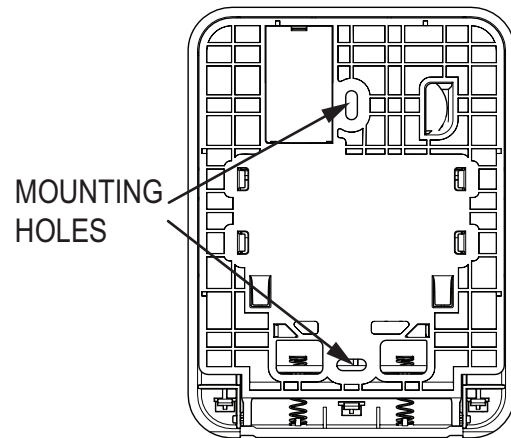
Electrical rating for MPS-802MP Maglok terminal: 1 Amp @ 30 VDC

Wiring Diagram



Mounting Diagram

- Flush mount indoor: Single-gang electrical box
- Surface mount indoor: BB-800 backbox



Ordering Information

Model	Description
MPS-810MP	MP 1 Stage Addressable Double Action Pull Station, ULC
MPS-810MPU	MP 1 Stage Addressable Double Action Pull Station, UL, FM
MPS-802MP	MP 2 Stage Addressable Pull Station, ULC
MPS-822MP	MP Maglock 2 Stage Double Action Pull Station, ULC
MIX-4090	4000 Series Address Programmer
BB-800	Surface Backbox for 800 Series Manual Station



Canada

25 Interchange Way Vaughan, ON L4K 5W3
Telephone: (905) 660-4655 | Fax: (905) 660-4113

U.S.A.

4575 Witmer Industrial Estates Niagara Falls, NY 14305
Toll Free: (888) 660-4655 | Fax Toll Free: (888) 660-4113

www.mircom.com

This document is provided by Mircom Technologies Ltd., MGC Systems Corp., or their affiliates, subsidiaries and brands, for convenience or marketing only and does not describe products or services technically. For technical information refer to technical manuals. We do not make representations or warranties regarding this information, including as to completeness or accuracy. We may change these contents at any time and reserve all rights in the contents, including copyrights, trademarks and other intellectual property. All other trademarks and registered trademarks are properties of their respective owners.

CAT. 5964

Rev. 3