

OpenBAS BUILDING AUTOMATION SYSTEM

Description

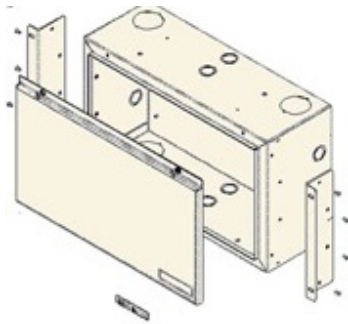
The OpenBAS series of metallic enclosures has been designed to enclose the OpenBAS series of controllers for any indoor and outdoor application.

Both outdoor (weatherproof) and 19" indoor back boxes and doors feature:

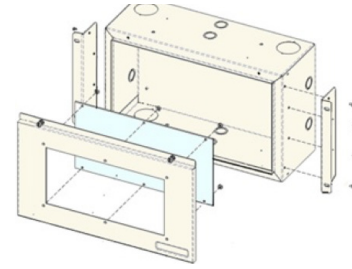
- 18 AWG cold rolled steel construction
- A durable Lexan window option
- Standard knockouts for easy installation

Features

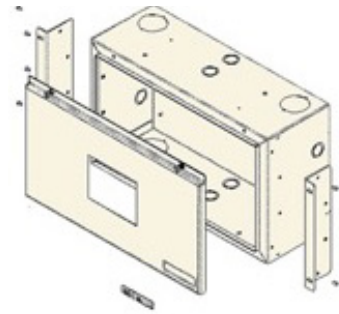
- Enclosure back boxes and doors are made of 18 AWG cold rolled steel.
- Shatter resistant Lexan window (optional).
- Capacity to house various controllers.
- For surface mount applications.
- Standard 19" box sizes with optional mounting brackets.
- Multiple DIN rail and back plate options.


BB-OBS-BLANK-W

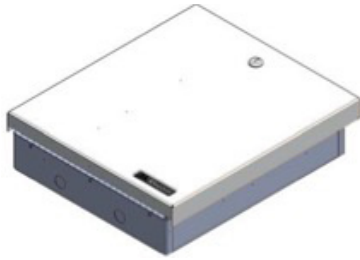
- The BB-OBS-BLANK-W enclosure includes a white back box and door.
- The enclosure door features a quick access screw on design.
- The box is capable of handling various combinations of OpenBAS controllers and accessories.
- Designed for indoor applications.
- 19" standard rack mounting bracket option.


BB-OPENBAS-WIN-W

- The BB-OPENBAS-WIN-W enclosure includes a white back box and door.
- The enclosure door features a quick access screw on design.
- The box is capable of handling various combinations of OpenBAS Controllers and accessories.
- Shatter resistant Lexan window.
- Designed for indoor applications.
- 19" standard rack mounting bracket option.

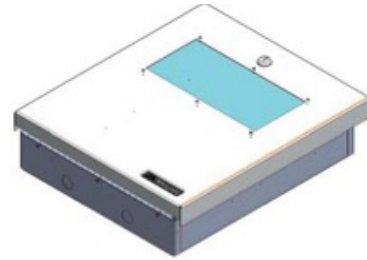

BB-OPENBAS-TS43-W

- The BB-OPENBAS-TS43-W enclosure includes a white back box and door.
- The enclosure door features a quick access screw on design.
- The box is capable of handling various combinations of OpenBAS Controllers and accessories.
- The enclosure door window is cut out to access a 4.3" Delta touch screen.
- Designed for indoor applications.
- 19" standard rack mounting bracket option.



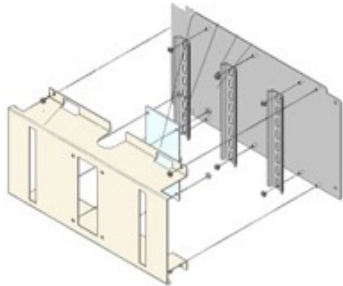
BB-OPENBAS-WPB-W

- The BB-OPENBAS-WPB-W enclosure includes a white back box and door.
- The enclosure door features a quick access hinged design.
- The box is capable of handling various combinations of OpenBAS Controllers and accessories.
- Designed for any outdoor applications
- Includes 2 DIN rails with back plates.
- The enclosure door comes with two keys and a durable lock.



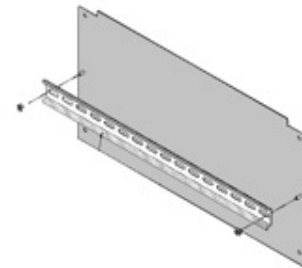
BB-OPENBAS-WPW-W

- The BB-OPENBAS-WPW-W enclosure includes a white back box and door with window.
- The enclosure door features a quick access hinged design
- The box is capable of handling various combinations of OpenBAS Controllers and accessories.
- Designed for any outdoor applications.
- Includes 2 DIN rails with back plates.
- The enclosure door comes with two keys and a durable lock.
- Shatter resistant Lexan window.



BBA-OBS-LCNX12R

- The BBA-OBS-LCNX12R is a back box accessory designed for mounting the lighting controller.
- This accessory comes with 3 vertical DIN rails and a cover plate to mount lighting controllers and relays.
- For use with indoor and outdoor enclosures.
- Shatter resistant Lexan window for lighting controller.



BP-OBS-VDINR19

- 19" Box Back Plate and Horizontal Din Rail.

For use with indoor enclosures:

- BB-OBS-BLANK-W
- BB-OPENBAS-WIN-W
- BB-OPENBAS-TS43-W



BBA-OBS-8DIN9

- DIN Rail equally cut into 8 parts, each 9" in length.
- For use with standard indoor 3rd party plastic enclosures.

Ordering Information

Model	Description
BB-OBS-BLANK-W	19" Backbox, Blank Door - White
BB-OPENBAS-WIN-W	19" Backbox, Window Front Door - White
BB-OPENBAS-TS43-W	19" Backbox, Front Door for 4.3 inches Delta Touch Screen - White
BB-OPENBAS-WPB-W	Backbox & External Blank door for Weatherproof Applications
BB-OPENBAS-WPW-W	Backbox & External Window door for Weatherproof Applications
BBA-OBS-LCNX12R	19" Back Plate w/3 Vertical DIN Rail & Cover Plate (White). To Mount Lighting Controllers and Relays
BP-OBS-VDINR19	19" Back Plate w/ Full Length Horizontal DIN Rail
BBA-OBS-8DIN9	2m DIN Rail cut into 8 Parts of 9.11 inches for BAS Backbox

NOT TO BE USED FOR INSTALLATION PURPOSES.



Canada
 25 Interchange Way
 Vaughan, Ontario L4K 5W3
 Telephone: (905) 660-4655
 Fax: (905) 660-4113

U.S.A.
 4575 Witmer Industrial Estates
 Niagara Falls, NY 14305
 Toll Free: (888) 660-4655
 Fax Toll Free: (888) 660-4113

Web page: <http://www.mircom.com> Email: mail@mircom.com

Distributed by:

ISO 9001:2008
 REGISTERED



CAT. 6302