



Description

The JACE® 8000 is a compact, embedded IoT (Internet of Things) controller and server platform for connecting multiple OpenBAS field devices and many other devices and sub-systems. With internet connectivity and web-serving capability, the JACE-8000 controller can act as a front-end providing integrated control, supervision, data logging, alarming, scheduling and network management. For medium to large sized projects, one or more JACE-8000 controller's can be used to facilitate centralized system management by integrating into a System Management Studio Supervisor. It streams data and rich graphical displays to a standard web browser via an Ethernet or wireless LAN, or remotely over the internet. Niagara Enterprise Security is an application that runs within the Niagara Framework® on the JACE 8000. Niagara Analytics is a data analytics extension to the Niagara Framework available on JACE 8000 controllers.

The licensing model for the JACE 8000 controller is simplified and features standard drivers allowing integration with OpenBAS field controllers for ultimate flexibility and expandability. The JACE 8000 controller operates with Niagara 4, the latest version of the Niagara Framework, for optimum performance. In larger facilities, multi-building applications and large-scale control system integrations, Niagara 4 Supervisors can be used with JACE 8000 controllers to aggregate information, including alarms, and historical and real-time data, to create a single, unified application.

Hardware Specifications

- TI AM3352: 1000MHz ARM® Cortex™-A8
- 1GB DDR3 SDRAM
- Removable micro-SD card with 4GB flash total storage/2GB user storage
- *Wi-Fi (Client or WAP)
 - IEEE802.11a/b/g/n
 - IEEE802.11n HT20 @ 2.4GHz
 - IEEE802.11n HT20/HT40 @ 5GHz
 - Configurable radio (Off, WAP, or Client)
 - WPAPSK/WPA2PSK supported
- *USB type A connector
 - Back-up and restore support
- (2) isolated RS-485 with selectable bias and termination
- (2) 10/100MB Ethernet ports
- Secure boot
- **Supply requirements: 24VAC rated at 24VA minimum, or 24VDC rated at 1A (24W) minimum
- Runs Niagara AX: 3.8u1 and later
- Runs Niagara 4: 4.1 and later
- Niagara Analytics 1.1 requires Niagara AX 3.8u1 or later update builds
- Niagara Analytics 2.1 is compatible with Niagara 4.4 and 4.6
- Real-time clock
- Batteryless

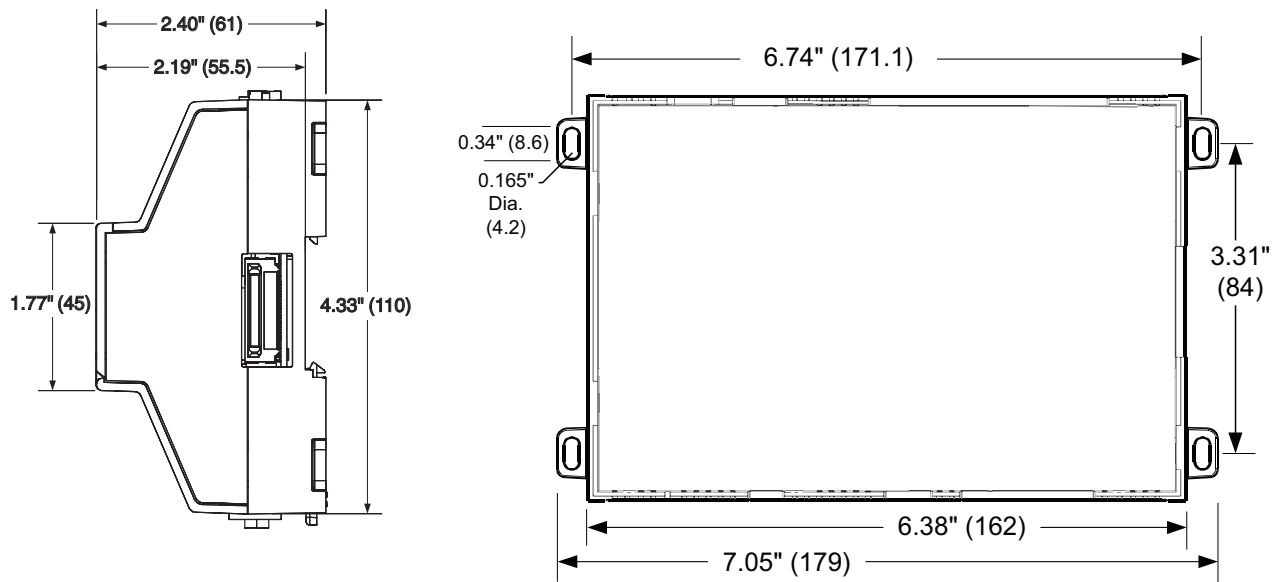
*Not supported with Niagara AX

**Niagara Enterprise Security requires four hours of standby power

powered by


Jace®-8000 Controller Mounting & Dimensions

Allow at least 1.5" (38mm) clearance around all sides and minimum 3" (76mm) at bottom for Wi-Fi antenna



Compatible with (DIN43880) enclosures
Suitable for mounting to a panel or to an EN50022 standard 35mm rail

Vizio stencils available upon request

Agency certifications

- UL 916
- CE EN 61326-1
- RCM
- FCC Part 15 Subpart B, Class B
- FCC Part 15 Subpart C
- C-UL listed to Canadian Standards Association (CSA) C22.2 No. 205-M1983 "Signal Equipment"
- 1999/5/EC R&TTE Directive
- CCC
- SRRC
- RSS
- RoHS

Environmental specifications

- Operating temperature: -20–60°C
- Storage temperature: -40–85°C
- Humidity: 5%–95% — Non condensing
- Shipping & vibration: ASTM D4169, Assurance Level II
- MTTF: 10 years+

Key features

- Data analysis at the onsite JACE controller level
- Real-time on-premise analytic control

Ordering Information

Software & Software Maintenance

Every JACE 8000 comes with a Niagara 4 software license and standard drivers. Purchase of a software maintenance agreement (SMA) is required with initial JACE licensing. The initial SMA is for 18 months, with extended agreements of 3 years and 5 years available for discounted rates.

Note: If a Software Maintenance Agreement is not in effect for any period, the price of maintenance for the next period for which it is purchased will be priced at a cost equal to the maintenance fee for the period(s) for which maintenance was not purchased, up to a maximum of 5 years, plus the maintenance fee for the next year.

Niagara Analytics

25 Niagara Analytic points are included with every JACE 8000 license. Niagara Analytics licenses are conveniently and cost-effectively based on the number of analytical points and do not expire. Your Software Maintenance Agreement covers all Niagara Analytics enhancements, adding to the value of the SMA.

Ordering Information

Model	Description
JACE-8000	Base unit includes two isolated RS485 ports, two 10/100MB Ethernet ports, USB Backup & Restore and Wi-Fi connectivity
JACE-8000-DEMO	Base unit includes two isolated RS485 ports, two 10/100MB Ethernet ports, USB Backup & Restore, Wi-Fi connectivity, all available Tridium drivers and a 500 device license. Hardware Accessories purchased separately. Available with Niagara Analytics (nonproduction only).
NC-8005	Up to 5 devices/250 point core
NC-8010	Up to 10 devices/500 point core
NC-8025	Up to 25 devices/1,250 point core
NC-8100	Up to 100 devices/5,000 point core
NC-8200	Up to 200 devices/10,000 point core
DEVICE-10	Up to 10 devices/500 point upgrade (can be purchased during initial licensing)
DEVICE-25	Up to 25 devices/1,250 point upgrade (can be purchased during initial licensing)
DEVICE-50	Up to 50 devices/2,500 point upgrade (can be purchased during initial licensing)
DEVICE-UP-10	Up to 10 devices/500 point upgrade (can be purchased post initial licensing)
DEVICE-UP-25	Up to 25 devices/1,250 point upgrade (can be purchased post initial licensing)
DEVICE-UP-50	Up to 50 devices/2,500 point upgrade (can be purchased post initial licensing)
WPM-8000	Universal power supply for JACE 8000 controller



Canada
25 Interchange Way
Vaughan, Ontario L4K 5W3
Telephone: (905) 660-4655
Fax: (905) 660-4113

U.S.A.
4575 Witmer Industrial Estates
Niagara Falls, NY 14305
Toll Free: (888) 660-4655
Fax Toll Free: (888) 660-4113



THIS INFORMATION IS FOR MARKETING PURPOSES ONLY AND NOT INTENDED TO DESCRIBE THE PRODUCTS TECHNICALLY.

For complete and accurate technical information relating to performance, installation, testing and certification, refer to technical literature. This document contains intellectual property of Mircom. The information is subject to change by Mircom without notice. Mircom does not represent or warrant correctness or completeness.