



**Features**

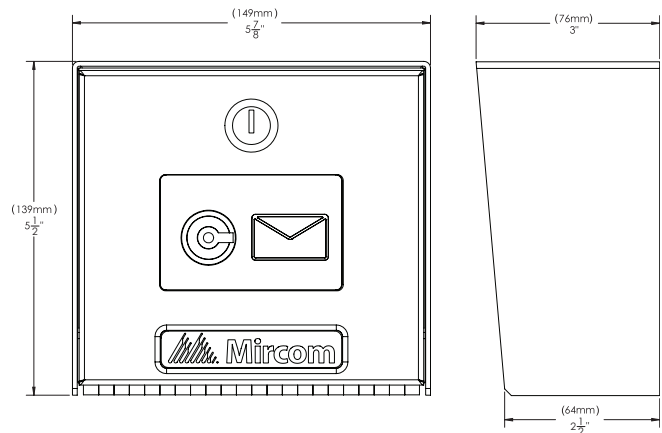
- Built-in rain hood, piano hinges at the bottom of the door and has provision for a postal lock (supplied by Post Office) to be installed
- Constructed of a heavy gauge stainless steel
- Built for both outdoor and indoor applications

**Description**

Mircom's TX3 Postal Lock Enclosure permits the postal worker to use their key to enter the building (when used with Post Office supplied lock).

TX3 Postal Lock Enclosure mainly serves as an outdoor model suitable to be used with TX3 Touch Panels, TX3 Nano and TX3 Telephone Entry Panels.

**Dimensions**



**Ordering Information**

Model	Description
TX3-PL-ENCL	TX3 Postal Lock Enclosure



**Canada**  
 25 Interchange Way Vaughan, ON L4K 5W3  
 Telephone: (905) 660-4655 | Fax: (905) 660-4113

**U.S.A.**  
 4575 Witmer Industrial Estates Niagara Falls, NY 14305  
 Toll Free: (888) 660-4655 | Fax Toll Free: (888) 660-4113

www.mircom.com



**THIS INFORMATION IS FOR MARKETING PURPOSES ONLY AND NOT INTENDED TO DESCRIBE THE PRODUCTS TECHNICALLY.**

For complete and accurate technical information relating to performance, installation, testing and certification, refer to technical literature. This document contains intellectual property of Mircom. The information is subject to change by Mircom without notice. Mircom does not represent or warrant correctness or completeness. All rights reserved. All other trademarks and registered trademarks are properties of their respective owners.

**CATALOG NUMBER 6585**

Rev. 1