



TX3
Series
TOUCH ENTRY

Description

Mircom's TX3-Touch Series Telephone Access Systems are the most advanced entrance automation and security systems available on the market today. The TX3-Touch Weather Resistant unit is re-designed to keep the prestigious aesthetics with the addition of a rugged enclosure to use for an indoor or outdoor application. The vandal resistant enclosure and display can withstand external impact for many years. The telephone access system can work as a stand-alone unit or a complete integrated Access Control solution.

TX3-Touch Series Telephone Access systems allow building occupants to communicate with visitors and grant or deny entry into a complex. The weather resistant screen can be fully customized to display various layouts, videos and resident groups as well as promotional or site-specific information. In addition, the Weather Resistant Telephone Access System comes with a HD camera, proximity reader and has provisions for an HD IP camera, and card access controller within the same enclosure. The TX3-Touch Series user interface is built on top of the reliable and proven Windows-based operating system to offer the most feature-rich system on the market. The system uses PSTN, NSL (No Phone Bill) or Voice over IP (SIP) to communicate with the resident. Field proven, Mircom's TX3 is sold worldwide providing years of reliable service in buildings for over 30 years.

Features

- Vandal resistant enclosure to endure high external impact
- 1600 nits high brightness display
- 15" color anti-glare, industrial grade, 6.4mm thick glass touch screen display
- Touch screen works under any weather condition – rain, snow and even when the user is wearing gloves
- Two locks for added security
- Bottom firing speaker is perfect for outdoor application
- Built-in TCP/IP capability for remote programming
- Built-in HD camera, and built-in proximity card reader for easy integration to access control panels
- Provision to add optional HD IP camera and postal lock (using external housing)
- Native integration with Access Control and Elevator Restriction units
- Provision to add optional TX3-WIEGAND-OUT module to integrate any Wiegand compatible 3rd party access control system with Mircom's TX3 Voice Entry systems
- Multiple panels (unlimited using TCP/IP or up to 63 using RS-485) can be connected to a shared database
- Four fully configurable themes (color & font), 4 pre-set themes, and 4 screen layout templates
- Includes four built-in keyboard layouts (Full QWERTY, Full QWERTY + Num pad, Simple, or Accessible)
- Provision for a single door controller module for access control integration
- Intuitive interface with the option to add up to 5 categories for the resident database
- Voice or video-based help menu for ease of use
- Built-in e-mail resident feature
- Supports Auto Dialer (PSTN), No Phone Bill (NSL), and Voice over IP (SIP)
- Recurring revenue opportunities using the optional advertising module
- Easily load media content via built-in USB or TCP/IP interface. Supports JPG, GIF, SWF, WMV and AVI file formats
- Industry Canada approved

Applications

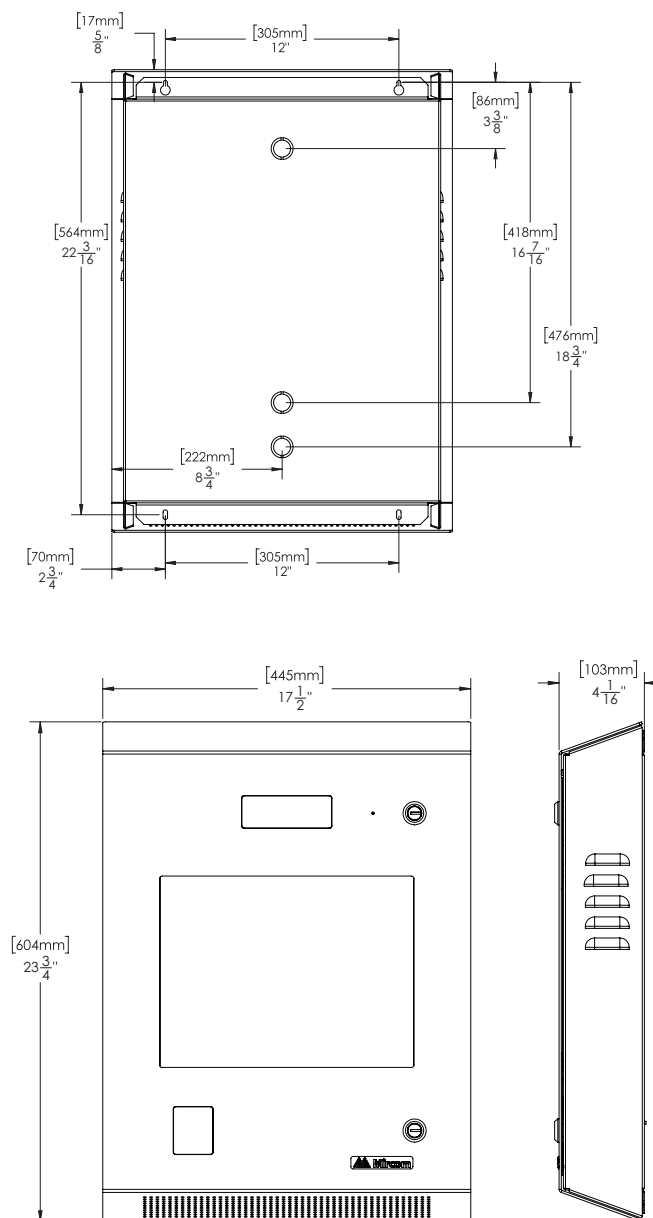
- Provides resident/visitor access control for buildings such as condominiums, apartment buildings, office buildings and industrial buildings
- Supports MiEntry mobile application with Mircom SIP (MiSIP) service for 2-way audio and 1-way video calls



Specifications

Dimensions	23 3/4" H x 17 1/2" W x 4 1/16" D (604mm x 445mm x 103mm)
Computer	Intel® E3940 Processor
Display	6.4mm Thick Glass Touch Screen Display, 1600 nits High Brightness
Hard Drive	mSATA SSD memory 32GB
Camera	Up to 8 megapixels (software enhanced)
Power	24V DC/156 W – Switching Power Supply included. (TX3-PS24-5A)
Software	Windows 10 IoT with Microsoft SQL Server Express Database for handling a large amount of resident information
Operating Temperature	-20°C (-4°F) to 50°C (122°F)
Approvals	Industry Canada

Technical Drawings



Ordering Information

Model	Description
Weather Resistant Surface Mount Touch Screen Telephone Access System	
TX3-TOUCH-S15S-WR-A	Surface Voice Access System Includes: <ul style="list-style-type: none"> - 15" Weather resistant touch screen LCD display - Silver front door - 2000 name controller - Surface mount backbox <ul style="list-style-type: none"> - Proximity card reader - HD Webcam - TX3 configuration software - 24 VDC switching power supply
TX3-TOUCH-S15B-WR-A	Surface Voice Access System Includes: <ul style="list-style-type: none"> - 15" Weather resistant touch screen LCD display - Black front door - 2000 name controller - Surface mount backbox <ul style="list-style-type: none"> - Proximity card reader - HD Webcam - TX3 configuration software - 24 VDC switching power supply
Backbox	
TX3-TOUCH-WR-BB	TX3-TOUCH Weather Resistant Mounting Box required for outdoor installation and when surface conduit entry to panel is required
No Phone Bill (NSL) Components	
TX3-NSL-8M	Master NSL Relay Cabinet, Includes One PS-4P Transformer, One Master Cabinet Required per NSL System, Supports Eight 2012 Telephone Line Relay Cards
2012K	12 Telephone Line Relay Card Kit c/w Cables
TX3-8EC	8 Relay Control Expander Cabinet
ADSL-100	NSL Line Filter
Elevator Restriction Components	
TX3-ER-8-B	Master Elevator Restriction Cabinet with IP capability. Order TX3-IP Module for TCP/IP.
3012E	Elevator Restriction Relay Card Mounts in Master Elevator Restriction Relay Cabinet Supports 12 Floors
Card Access Components	
TX3-CX-1NP	Single Door Control Module – Mount with-in the TX3-Touch Weather Resistant Enclosure
TX3-CX-1	Single Door Controller, PoE, single gang mount. Integrated proximity reader, software and USB cable for programming
TX3-CX-2-A	Two Door Controller in a grey metal lockable cabinet including a 16VAC, transformer, software and USB cable. For Battery Back-up: Add one 12 VDC battery, 5 Ah to 7 Ah
TX3-P300-HA	Mini Mullion Mount Reader, 3.2" x 1.7" x 0.7"
CS-MIR-0-0	Clam Shell Proximity Card Must be ordered in blocks of 25
KT-MIR-0-0	Proximity Key Tag Must be ordered in blocks of 10
TX3-DK1-3	Key Fob; MIFARE®-compliant, with 1K-byte memory (Purchased in blocks of 10 pieces)
TX3-DM1-3	ISO-Style, PVC Printable; MIFARE®-compliant, with 1K-byte memory (Purchased in blocks of 25 pieces)
TX3-PCR-35	Mobile-Ready 2.4-GHz frequency/Contactless Reader 125-kHz frequency (single gang mount and mullion mount)
TX3-CSR-35	Mobile-Ready 2.4-GHz frequency/Contactless Smartcard Reader 13.56-MHz frequency (single gang mount and mullion mount)
TX3-CSK-2	High-Security Key Fob-Style Tag, 13.56-MHz frequency (packaged in groups of 10 pieces)
TX3-CSM-2P	High-Security ISO-Style Composite Card, 13.56-MHz frequency (packaged in groups of 10 pieces)
TX3-CMC-2	Mobile Smartphone Credential, 2.4-GHz frequency
Optional Accessories	
TX3-WIEGAND-OUT	TX3 Voice Entry Wiegand Output. Supports integration with 3rd party Access Control systems.
TX3-TOUCH-ADV	TX3-TOUCH Advertising Module
TX3-MDM	Modem Module, Required for remote PC programming over a telephone line
TX3-GPM	Guard Phone Module
TX3-CF-003	Fan
P1265	AXIS PoE IP Camera, 3.7mm with SD storage capability
TX3-PL-ENCL	TX3 Postal Lock Enclosure



Canada

25 Interchange Way Vaughan, ON L4K 5W3
Telephone: (905) 660-4655 | Fax: (905) 660-4113

U.S.A.

4575 Witmer Industrial Estates Niagara Falls, NY 14305
Toll Free: (888) 660-4655 | Fax Toll Free: (888) 660-4113

www.mircom.com



This document is provided by Mircom Technologies Ltd., MGC Systems Corp., or their affiliates, subsidiaries and brands, for convenience or marketing only and does not describe products or services technically. For technical information refer to technical manuals. We do not make representations or warranties regarding this information, including as to completeness or accuracy. We may change these contents at any time and reserve all rights in the contents, including copyrights, trademarks and other intellectual property.

CAT. 6590

Rev. 1