

TX3
Series
TOUCH ENTRY



TX3-T-KIOSK2
Optional Black Pedestal



Features

- 22" full color touch display provides ultra-wide viewing angles, sure to impress visitors & occupants alike
- Call buttons and a scrolling name directory make for an intuitive call interface
- Constructed of heavy gauge 304 stainless steel with a #4 brushed finish for a durable and neutral finish that works perfectly with any décor
- Optional: Card access controller, high-definition IP camera, and postal lock are available and can be conveniently housed. Using RS-485, multiple panels can be connected for up to 63 nodes, including: card access, voice entry and/or elevator restriction cabinets
- Allows for easy customization using four fully configurable themes (color & font), 4 preset themes, 4 screen layout templates, as well as a configurable Welcome Screen
- Includes four built-in keyboard layouts (Full QWERTY, Full QWERTY + Num pad, Simple, or Accessible)
- Provision for a two-door controller board or a single door controller module for access control integration
- Help button activates a video for easy instructions to the visitor
- An e-mail feature allows visitors to leave private messages for occupants
- Supports Auto Dialer (ADC/PSTN), No Phone Bill (NSL), and Voice over IP (SIP)
- Elevator restriction capability is available for buildings requiring a higher level of security
- Variety of programming options available via built-in USB or Ethernet ports, as well as modem and COM-to-RS485 modules to meet your specific site requirements
- Optional advertising module enabling multiple frames and templates to play videos and/or display images
- Whisper quiet fan-less operation
- Easily load media content via built-in USB Interface or TCP/IP for advertising or greeting message in JPG, BMP, PNG, SWF, WMV and AVI file formats
- Industry Canada approved

Description

Mircom's 22" Touch Surface Mount Telephone Access System is designed to provide a visually stunning and intuitive user-experience.

The system brings a number of innovative new features to provide a fully customizable solution for occupant and visitor access control in condominiums, apartment buildings, office buildings, gated communities and industrial buildings.

The 22" full color touch display provides ultra-wide viewing angles, which is sure to impress visitors & occupants alike.

The solution runs a reliable and proven Windows-based operating system to offer the most feature rich system on the market. For ADC/NSL telephone interconnectivity, the system uses Mircom's custom interface modules, successfully installed in thousands of buildings across the globe

Applications

- Provides resident/visitor access control for buildings such as condominiums, apartment buildings, office buildings, gated communities and industrial buildings
- Supports MiEntry mobile application with Mircom SIP service for 2-way audio and 1-way video calls



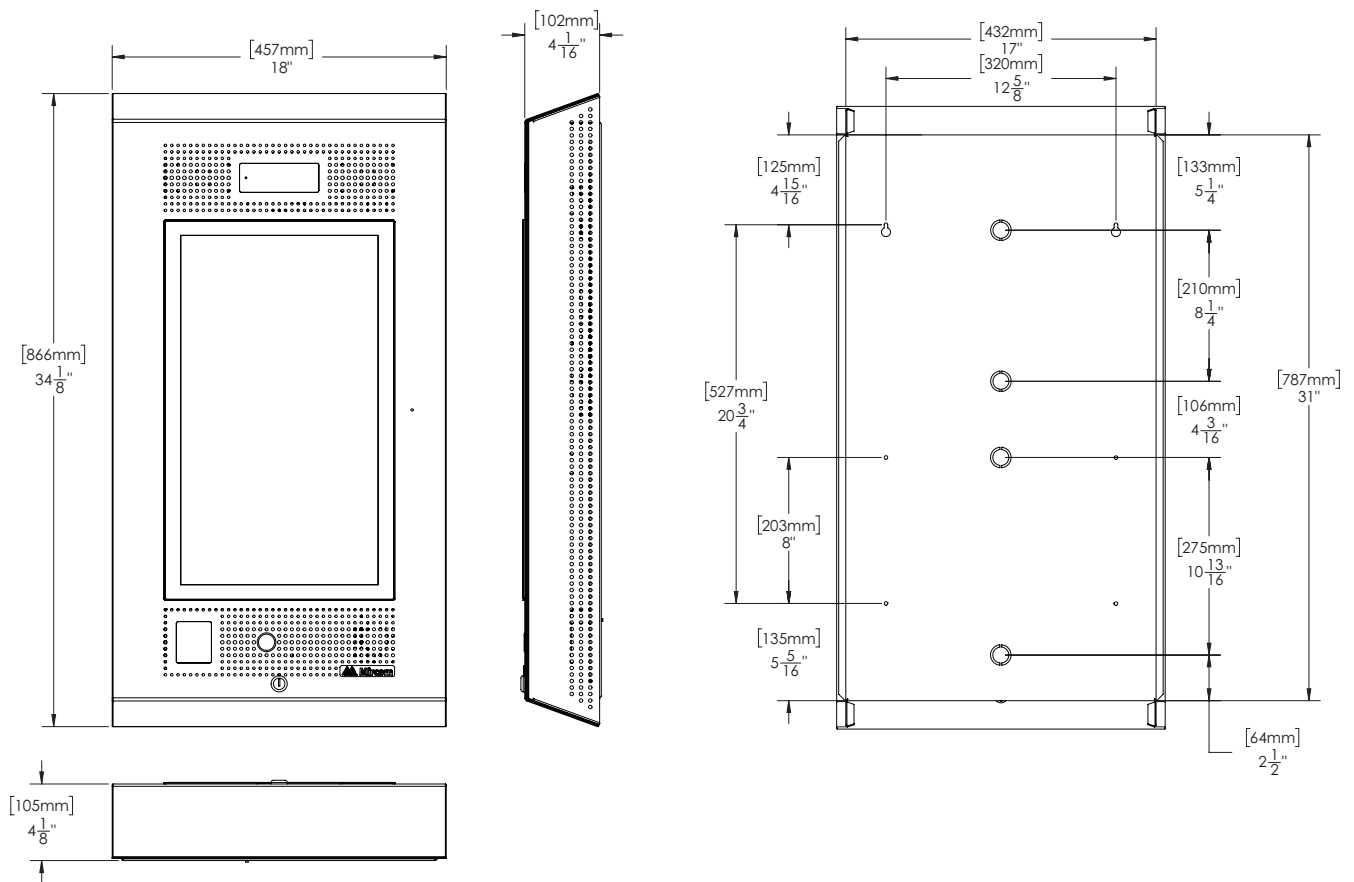
CATALOG NUMBER

6594

Technical Specifications

Dimensions	34 1/8" H x 18" W x 4 1/16" D (866mm x 457mm x 102mm)
Weight	31.75 Kg (70 lbs.)
Computer	Intel® E3940 Processor
Hard Drive	mSATA SSD memory 32GB
Power	24V DC/156 W – Switching Power Supply included. (TX3-PS24-5A)
Software	Windows 10 IoT with Microsoft SQL Server Express Database for handling a large number of resident information
Operating Temperature	0-50°C (32°-122°F)
Operating Humidity	92% relative humidity at 30 °C
Upgrades	IP pinhole camera, single or two door controller, fan, postal lock
Approvals	Industry Canada

Mechanical Dimensional Diagram



Ordering Information

Model	Description
Surface Mount Touch Screen Telephone Access System	
TX3-TOUCH-S22-F	Surface Mount Touch Screen Telephone Access System includes: <ul style="list-style-type: none"> - Stainless steel door with 22" touch screen LCD display - mSATA SSD memory 32GB - PC motherboard with Intel® E3940 Processor - 2000 name controller - TX3 configuration software - 24 VDC switching power supply
TX3-T-KIOSK2	Optional Pedestal mount to fasten surface mount unit. Unit base to be bolted to floor.
No Phone Bill (NSL) Components	
TX3-NSL-8M	Master NSL Relay Cabinet. Supports eight 2012 Telephone Line Relay Cards.
TX3-8EC	8 Relay Card Expander Cabinet
TX3-16EC	16 Relay Card Expander Cabinet
9106	6 ft. relay cable for 2012
2012K	NSL Relay Card and Cable Kit. Kit includes (1) 2012 twelve unit telephone relay card and (1) 9106 six ft. relay cable
ADSL-100	ADSL line filter module for NSL applications
Elevator Restriction Components	
TX3-ER-8-B	Elevator Restriction Relay Cabinet. Supports eight 3012E Elevator Restriction Relay Cards.
3012E	Twelve Unit Elevator Restriction Relay Card
Card Access Components	
TX3-CX1-NP	Single door controller module, fits inside TX3-TOUCH & TX3 keypad voice entry (8-line display chassis)
RB-MD-1093	Two Door Card Access board with 2 Wiegand Input, fits inside TX3-TOUCH (22")
TX3-P300-HA	Mini Mullion mount, 125 kHz Proximity Reader
CS-MIR-0-0	Clam Shell Proximity Card 125 kHz, must be ordered in package of 25
KT-MIR-0-0	Key Tag (Fob) 125 kHz proximity, must be ordered in package of 10
TX3-DM1-3	Card MIFARE 13.56 MHz, must be ordered in package of 25
TX3-DK1-3	Key Tag (Fob) MIFARE 13.56 MHz, must be ordered in package of 10
TX3-PCR-35	Mobile-Ready 2.4-GHz frequency/Contactless Reader 125-kHz frequency (single gang mount and mullion mount)
TX3-CSR-35	Mobile-Ready 2.4-GHz frequency/Contactless Smartcard Reader 13.56-MHz frequency (single gang mount and mullion mount)
TX3-CSK-2	High-Security Key Fob-Style Tag, 13.56-MHz frequency (packaged in groups of 10 pieces)
TX3-CSM-2P	High-Security ISO-Style Composite Card, 13.56-MHz frequency (packaged in groups of 10 pieces)
TX3-CMC-2	Mobile Smartphone Credential, 2.4-GHz frequency
TX3-WRR-22	Dual Channel Wiegand Receiver, 100 ft range
TX3-WRT-2H	Two Button transmitter with embedded 125 kHz proximity tag, must be ordered in package of 10
TX3-WRR-44	Four Channel Wiegand Receiver, 100 ft range
TX3-WRT-4H	Four Button transmitter with embedded 125 kHz proximity tag, must be ordered in package of 10
Optional Accessories	
TX3-WIEGAND-OUT	TX3 Voice Entry Wiegand Output. supports integration with 3rd party Access Control systems.
TX3-MDM	Modem Module
TX3-GPM	Guard Phone Module
TX3-MSW	TX3 Configuration Software
TX3-CF-003	Fan
P1264	AXIS PoE IP Camera, 3.7mm, lux 0.5 with SD storage capability
TX3-TOUCH-ADV	TX3-TOUCH Advertising Module



Canada

25 Interchange Way Vaughan, ON L4K 5W3
Telephone: (905) 660-4655 | Fax: (905) 660-4113

U.S.A.

4575 Witmer Industrial Estates Niagara Falls, NY 14305
Toll Free: (888) 660-4655 | Fax Toll Free: (888) 660-4113

www.mircom.com



This document is provided by Mircom Technologies Ltd., MGC Systems Corp., or their affiliates, subsidiaries and brands, for convenience or marketing only and does not describe products or services technically. For technical information refer to technical manuals. We do not make representations or warranties regarding this information, including as to completeness or accuracy. We may change these contents at any time and reserve all rights in the contents, including copyrights, trademarks and other intellectual property.

CAT. 6594

Rev. 0