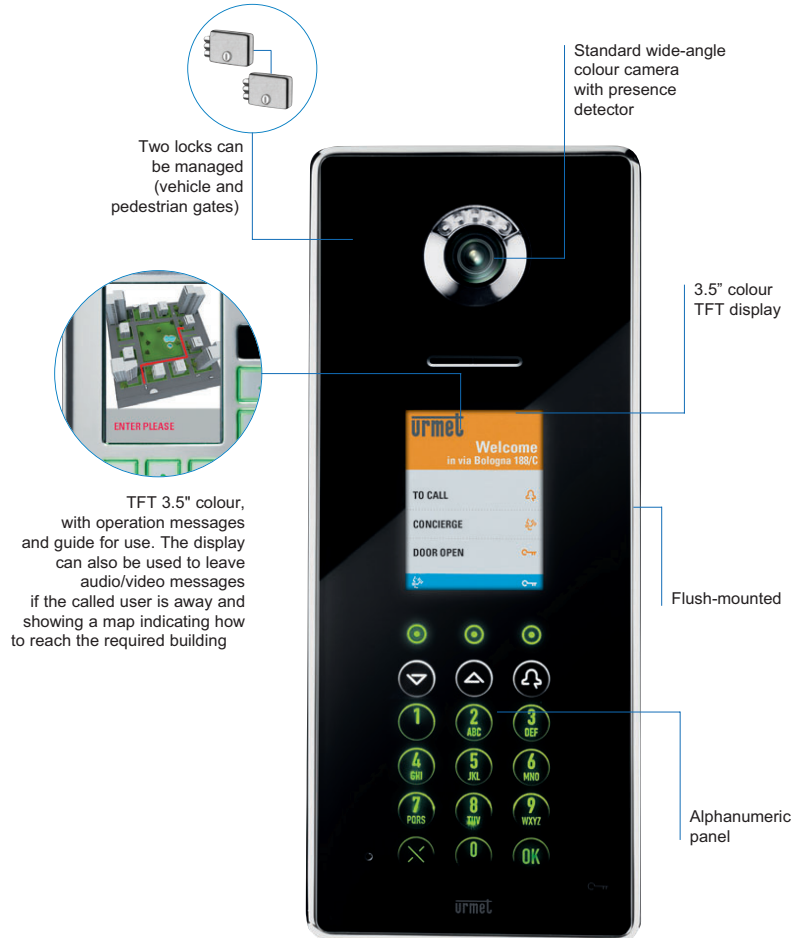


## ELEKTA ENTRY PANEL



### Description

Elekta and Elekta Steel offer top level functions and communications. This calling module – with two soft-touch and vandal-resistant versions – manages two locks (for example a pedestrian entrance and a vehicle entrance).

Elekta is also provided with a duress warning system allowing to open the door with a code and at the same time send a duress signal to the concierge.

The alphanumeric keypad is simple and sophisticated, allowing for instance to leave messages if the called person is away. The calling module has an extra function for handicapped users: the call is sent to the concierge if several buttons are pressed at the same time.

The entry panel can be installed flushed on the wall. It can manage the various IPervice system functions, adding important utilities such as displaying the route for reaching the called user (a very convenient function in complex multiple building residential compounds) or the possibility of combining logos and images to names.

### Features

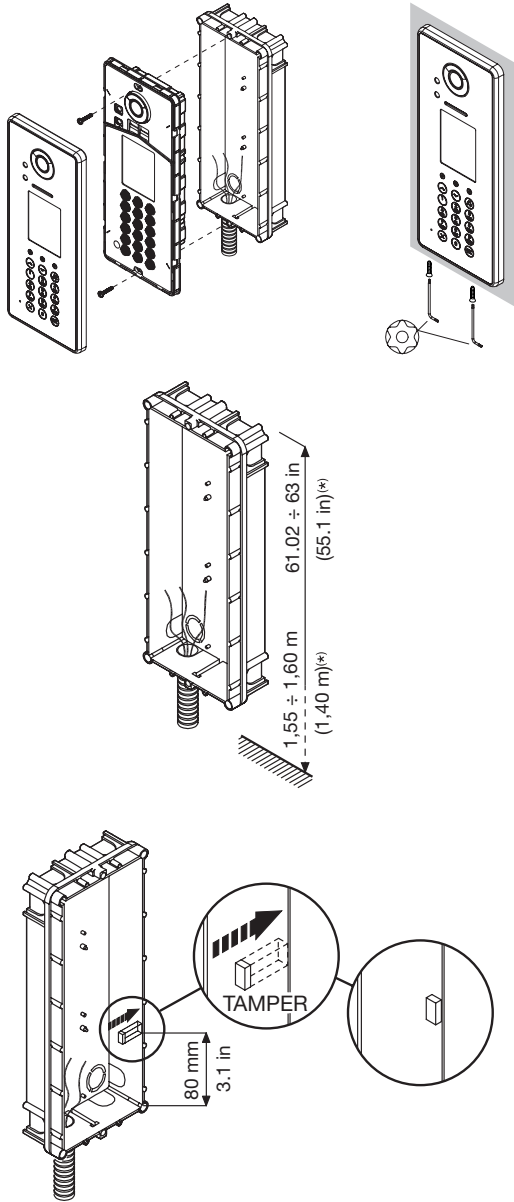
- Integrated option for individuals with special needs
- Audio messages for system status
- Absence indication and audio/video message recording
- Door open detection
- Duress alarm
- Vandal Resistant Version available
- Two outputs for controlling locks or gates per panel
- Color Camera with presence detector

**CATALOG NUMBER 6609**

NOT TO BE USED FOR INSTALLATION PURPOSES.

Mircom reserves the right to make changes at any time without notice in prices, colours, materials, components, equipment, specifications and models and also to discontinue models.

## INSTALLATION:



(\*) 1,40 m [55.1 in] from the floor is the recommended height for individuals with disabilities

## SPECIFICATIONS:

### DESCRIPTION OF TERMINALS

- C Common lock relay contact
- NO Normally open lock relay contact
- NC Normally closed lock relay contact
- SE- Output voltage lock terminals
- SE+ Output voltage lock terminals
- PA Hall button terminals for operating lock relay
- SP Door sensor terminals
- SE2 Garage gate contact terminals (NO)
- SE2 Garage gate contact terminals (NO)
- AD Hearing aid audio device terminals
- V+ Auxillary power terminals
- V- Auxillary power terminals
- LAN Ethernet connector for LAN RJ45

} Simultaneous activation

Refer to the instructions contained in the system manual for wiring, maximum distances and configuration operations.

### TECHNICAL SPECIFICATIONS

#### POWER VOLTAGE AND CONSUMPTION ON TERMINALS V+ V-

- Power voltage: 44 ÷ 57Vdc
- Consumption video call @48V: 16mA
- Consumption stand-by @48V: 100mA
- Working temperature range: -10°C ÷ +50°C

#### Relay contact range C, NC, NO:

- Maximum switching voltage 30V
- Maximum switching current 3,5A
- Maximum switching load 40VA 25W

#### Garage gate relay contact range (SE2):

- Maximum switching voltage 30V
- Maximum switching current 200mA

Panel exterior dimensions: 310mm (h) x 130 mm(w) x 42 mm (d)  
[12.2" x 5.1" x 1.7"]

## Ordering Information

Model	Description
1039/12	Soft Touch (as shown)
1039/17	Vandal-resistant Steel version

NOT TO BE USED FOR INSTALLATION PURPOSES.

 **Mircom**™

#### Canada

25 Interchange Way  
Vaughan, Ontario L4K 5W3  
Telephone: (905) 660-4655  
Fax: (905) 660-4113

#### U.S.A.

4575 Witmer Industrial Estates  
Niagara Falls, NY 14305  
Toll Free: (888) 660-4655  
Fax Toll Free: (888) 660-4113

Distributed by:

Web page: <http://www.mircomgroup.com> Email: [mail@mircomgroup.com](mailto:mail@mircomgroup.com)

ISO 9001:2008  
REGISTERED



CAT. 6609  
REV1