



### Description

AWID's Sentinel-Prox™ Proximity Reader SP-6820-GR-MP is specially suited for applications where a discriminating look makes a difference. An attractive package which looks great outside the boardroom or at the front gate in the rain or snow. With a read range of up to 8 inches, the SP-6820-GR-MP delivers exceptional value without compromise on quality, durability, or performance for both indoor and outdoor applications.

The SP-6820-GR-MP reader is a fully featured Wiegand and RS-232 compatible reader with an LED and Annunciator for both small and large installations. It is designed to mount on a standard-single-gang electric wall-box or on the surface of an interior or exterior wall.

The SP-6820-GR-MP's attractive enclosure comes in a dark gray color. The SP-6820-GR-MP's electronics and antenna are encapsulated in an UL-approved epoxy resin potting compound to seal them against adverse environmental conditions.

When a valid card/tag is presented within the reader's field, the reader's LED momentarily turns AMBER and beeper sounds to indicate that a data transmission took place. If the card/tag stays within the reader's field, the LED will blink RED/GREEN to indicate that the reader is functioning properly.

The reader has a re-present mode in which the card must be taken from the reader field before being read again. This feature eliminates multiple reads from a single card presentation.

### Features

- Read range of up to 8 inches
- Specially designed for attractive appearance
- Multi-protocol AWID and or HID
- Electronics potted with epoxy compound for demanding environmental applications
- LED for visual feedback, 4 kHz Piezo beeper for audio feedback
- Compatible with all Wiegand access control systems
- Industry standard Wiegand (26 to 50 bit) output and RS-232 interface
- Attractive high-tech enclosure with dark gray color

### Benefits

- Ease of use and entry. Assures long life of cards by eliminating need to physically swipe card against reader
- Elegantly and beautifully mounted
- Reader electronics protected against application elements to assure long reader life
- Visual and Audible indicators providing dependable user feedback and guidance for quick and easy installation
- Wiegand output allows use of multiple control panels allowing stocking of one reader for all applications and credential requirements

## Specifications

### Performance Characteristics

**Read Range:** Up to 8 inches (20 cm)

**Transmitting Frequency:** 125 kHz

**Voltage:** 5-12V DC

**Current:** 20 mA at 5 V; 200 mA at 12 V

**Audio Alarm:** 4 kHz burst

**Communication protocol:** Wiegand electrical interface;  
RS-232 serial interface

**Data Format:** Configurable 26 bit to 50 bit (determined by  
code in credentials)

**Cable to Controller (Wiegand interface):** 4 to 7  
conductors (not twisted pairs), stranded, 22 AWG,  
color-coded, overall 100% shielded, plastic jacket,  
up to 500 ft

### Physical Characteristics

**Dimensions:** 3.1"W x 4.6" H x 0.65"D in  
(7.9 cm x 11.7cm x 1.7 cm)

**Weight:** 8 oz (227 g)

**Color:** Dark Gray

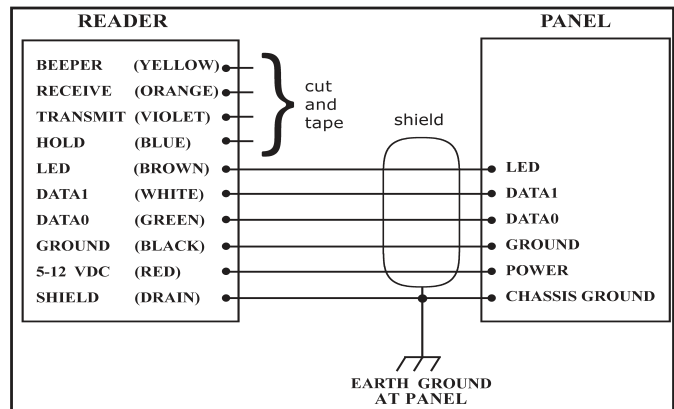
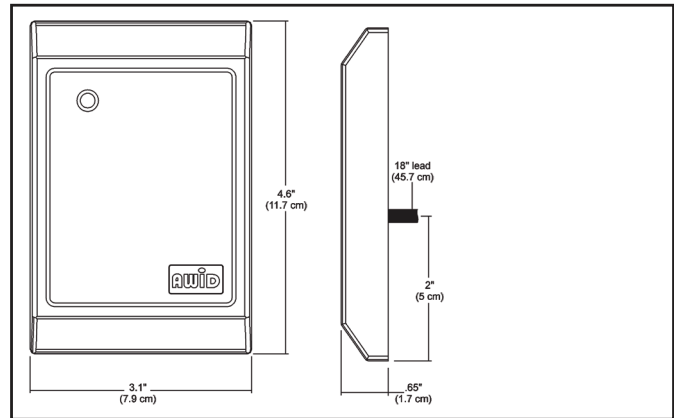
### Environmental

**Operating Temperature:** -31°F to 150°F (-35 °C to 65 °C)

**Operating Humidity:** 0-95% non-condensing

**Avoiding Interference:** Optimize reader performance by  
spacing or shielding reader from neighboring readers.

**Regulatory:** FCC Part 15, Industry Canada. UL Listed



## Ordering Information

Model	Description
SP-6820-GR-MP	Single Gang Proximity Card Reader

NOT TO BE USED FOR INSTALLATION PURPOSES.



**Canada**  
25 Interchange Way  
Vaughan, Ontario L4K 5W3  
Telephone: (905) 660-4655  
Fax: (905) 660-4113

**U.S.A.**  
4575 Witmer Industrial Estates  
Niagara Falls, NY 14305  
Toll Free: (888) 660-4655  
Fax Toll Free: (888) 660-4113



Distributed by:

