



Description

A large 10 inch full colour touch screen is provided on the TX3 InSuite to provide intuitive controls for the occupant. The low profile and esthetically pleasing station fits onto a single gang electrical box with a mounting plate for a simple installation. The large high resolution screen is designed to run media, provide audio-video communication, and display a graphic display for controls and annunciation.

Supported Peripherals

- IP camera
- Door/window contact
- Motion detector
- Wall plug
- Thermostat
- Door lock
- Lighting switches
- Dimmer

Contact us for more peripheral options.



Features

The TX3 InSuite is a unique station designed to provide in-suite communication and control as well as providing access to all the “community” services.

- Positive visual identification is provided by audio-video communication to each visitor before permitting access.
- Mass notification of building and community events can be conveniently sent to each occupant.
- A community watch program lets occupants view public cameras in their community.
- Full integration of the TX3 platform lets users unlock their suite door and the main entrances.
- Unique annunciation for fire and emergency events in the building.
- Open wireless protocols such as ZigBee, Wi-fi and Bluetooth provide a wide selection of peripheral interfaces for home automation, security and life safety.
- Convenient PoE design reduces infrastructure costs and simplifies installation; one plug for both power and communication.
- SD/MMC card slot for media storage.
- 2 high quality stereo speakers for playing videos.
- 2nd Ethernet port for daisy chaining stations in the same room (e.g. party room or meeting room).
- 3 user configurable buttons.

Specifications

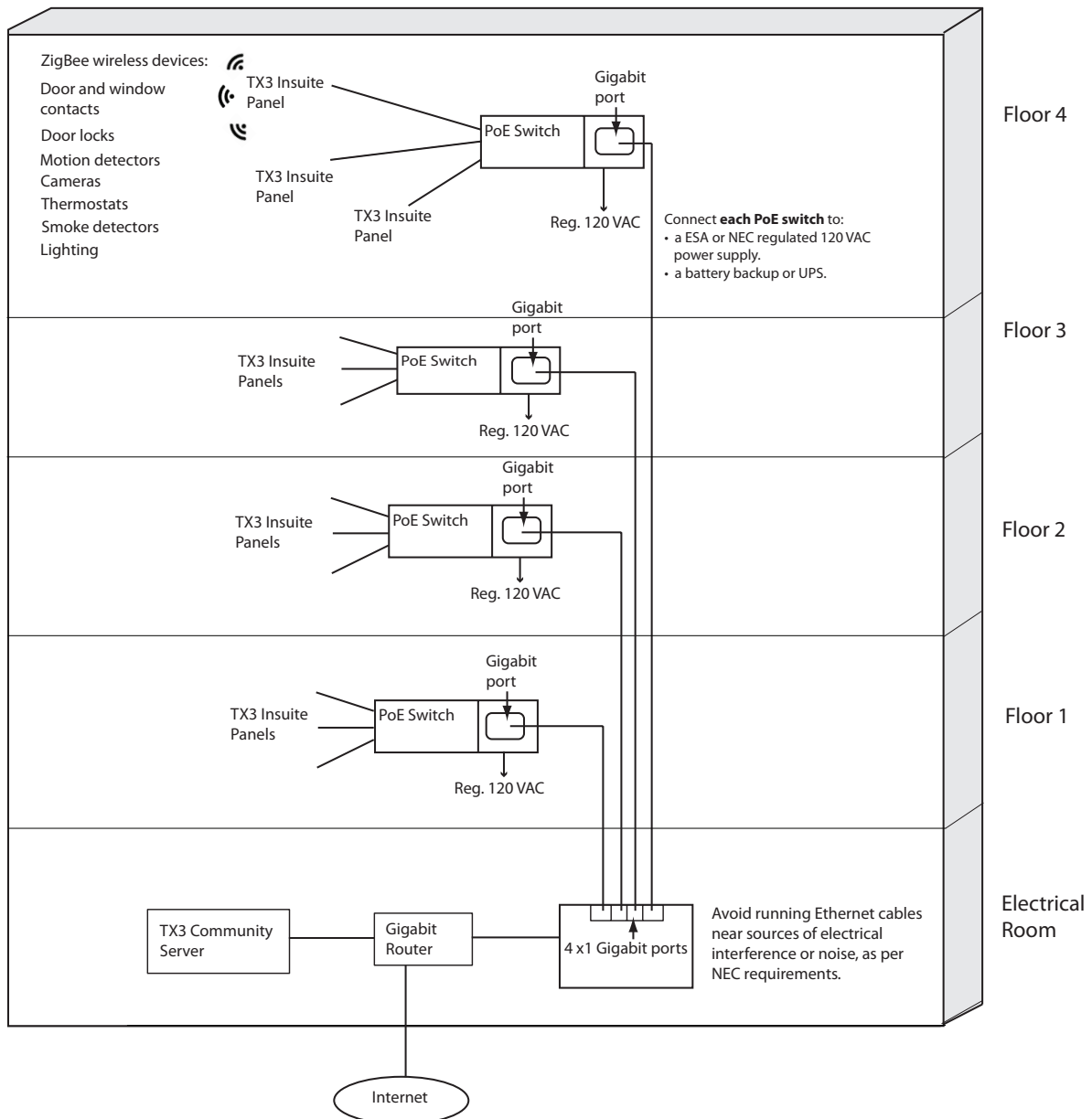


Dimensions
19.81 x 25.91 x 3.724 cm (7.8" x 10.2" x 1.466")
Weight
0.86 kg (1.90 lb)
Power over Ethernet
IEEE 802.3af-2003 IEEE 802.3at-2009
Power Consumption
10W - 15W depending on operation
Display
10.1" Touchscreen display with projective capacitive touch, 1024 x 600 (WSVGA) LCD
Camera
5 MP camera with autofocus
Audio
<ul style="list-style-type: none"> • Two stereo digital microphones • 2.5W D-Class Stereo Amplifier
Buttons
Three user configurable buttons
Operating Temperature
0° C - 50° C (32 °F - 122 °F)

Connections
2 Ethernet 10/100 ports (one with PoE+ function)
USB 2.0 port
Auxiliary power input (10V - 57V DC)
RS-485 port
SD/MMC card slot
Add-on options:
<ul style="list-style-type: none"> • ZigBee Home Automation 1.1 and 1.2 • Coming soon: support for Bluetooth, Wifi

System Diagram

The figure below shows a typical system diagram for a 4 storey condominium with a TX3 InSuite Touch Station in each unit. The number and size of the PoE switches depends on the building requirements.



Note: This is a typical system diagram. Consult a qualified technician before beginning any installation.

Each switch must be IEEE 802.3af rated and have a minimum of 1 Gb port per 8-port switch.

Connect **each PoE switch** to:

- a non-generator, ESA or NEC regulated 120 VAC power supply, or
- a battery backup or UPS.

If you use generator power, you must use a surge protector to guard against power surges.

Use category 5, 350 MHz, twisted pair cable. We recommend using shielded cable if the cable run is longer than 50 feet.

Avoid running Ethernet cables near sources of electrical interference or noise, as per NEC requirements.

Ordering Information

Model	Description
TX3-INSUITE-10	Touchscreen 10 inch, mounts onto single gang electrical box
TX3-INSUITE-BP	Mounting Plate for InSuite Station. Mounts onto TX3-INSUITE-10
TX3-INSUITE-BURG	Four Zone Hardwire Burglar Intrusion Module with unlimited wireless zones interface
TX3-INSUITE-HA	Home Automation Module for ZigBee lighting and environmental controls
Hardwired Intrusion Peripherals	
1075-N	3/8 diameter x 1 1/3" magnetic door and window contact
1085T-N	Surface magnetic door and window contact
BV600ULC	DSC dual element PIR motion detector with pet immunity
ZigBee Wireless Peripheral Devices - SafePlug - Energy	
1203-9914	SafePlug 15A, 125V duplex smart energy receptacle with ZigBee HA radio communication
1801	SafePlug HA commissioning key kit
3042	SafePlug Right Plug RFID tags, one of each current rating
ZigBee Wireless Peripheral Devices - Smartenit - Security	
USB-CID2011A	ZigBee USB-CID Coordinator
ZBRE5010S	ZigBee HA Range Extender
ZigBee Wireless Peripheral Devices - Sensors and Alerts	
ZBWDS1017A	ZigBee Door/window Sensor
ZBMS31019C	ZigBee Wireless Motion Detector
ZigBee Wireless Peripheral Devices - Switches and Load/Lighting Control	
ZBMPlug155010Q	ZigBee HA Wireless Metering Plug
ZWS3B4037A	ZigBee 3-Button Wall Switch
Centralite - Lighting	
3385001-ZHA	Centralite Azela ZigBee 800W Dimmer Switch
3385001-RZHA	Azela ZigBee 800W One Button Relay Switch
Yale Push Button Locks- Security	
YRD210-HA-0BP	Pushbutton ZigBee lock 1 - Oil Rubbed Bronze
YRD210-HA-605	Pushbutton ZigBee lock 2 - Bright Brass
YRD210-HA-619	Pushbutton ZigBee lock 3- Satin Nickel
Yale Touchpad Locks - Security	
YRL DB TS HA US10BP	Touchpad ZigBee lock 1- Oil Rubbed Bronze
YRL DB TS HA US3	Touchpad ZigBee lock 2 Bright Brass
YRL DB TS HA US15	Touchpad ZigBee lock 3- Satin Nickel
Kwikset - Security	
910CNT ZB 26D SMT	Contemporary Satin Chrome Smartcode Deadbolt with ZigBee lock 1
910TRL ZBC4 L03 SMT	Traditional Polished Brass Smartcode Deadbolt with ZigBee lock 2
912LL TRL ZBC4 L03 SMT	Lifetime Polished Brass Smartcode Lever with ZigBee lock 3
Schneider - HVAC	
SER8300A0P09	Touchscreen Thermostat Room Controller
Centralite - HVAC	
3157100	Centralite Pearl Capacitive Touch Thermostat

Note: If you are using wireless devices with the TX3 InSuite Touch Stations, connect a USB to USB extension cable and a Smartenit ZigBee USB-CID Coordinator (USB-CID2011A) to each Touch Station, and place the coordinator outside of the gang box for best performance.

NOT TO BE USED FOR INSTALLATION PURPOSES.



Canada
25 Interchange Way
Vaughan, Ontario L4K 5W3
Telephone: (905) 660-4655
Fax: (905) 660-4113

U.S.A.
4575 Witmer Industrial Estates
Niagara Falls, NY 14305
Toll Free: (888) 660-4655
Fax Toll Free: (888) 660-4113

Distributed by:

Web page: <http://www.mircom.com> Email: mail@mircom.com

ISO 9001:2008
REGISTERED



CAT. 6900
REV1