

4-WIRE SUITE STATIONS



Mircom provides reliable and dependable entrance automation for multi-unit apartments. The four wire simplex system is easy to install thus greatly reducing installation cost. Since the system doesn't use the public phone lines no subscription services are incurred.

New or existing buildings can easily be adapted to Mircom's system since 4 wires (3 common + 1 selective ring wire) is all that is needed. Depending on installation, it may be possible to use the existing lobby panel. Contact our technical service department for details.

IS-489 Single Gang Suite Station

Surface mountable, IS-489 suite station is designed to mount onto standard single gang electrical boxes. Contemporary white finish styling, blends with modern suite interiors. Clear audibility is accomplished using a 2" speaker. P.C.B. mounted switches and terminals ensure solid connections.

Dimensions: 152mm(l) x 102mm(w) x 25mm(d)
(6.0(l) x 4.0(w) x 1.0(d))

Backbox: Standard Single Gang Box



IS-489-1 Four Button Station

Similar to the IS-489 with addition of one button. The additional button primary application is to call the central office or superintendent station.

Dimensions: 152mm(l) x 102mm(w) x 25mm(d)
(6.0"l) x 4.0(w) x 1.0" (d))

Backbox: Standard Single Gang Box



IS-51-2 Economical Dual Gang Station

Rugged IS-51-2 suite stations are made from stainless steel and mount to the standard dual gang electrical boxes. All switches and speaker connections are printed circuit board mounted to ensure long term reliability.

Dimensions: 115mm(l) x 115mm(w)
(4.5"l) x 4.5" (w))

Backbox: Standard Dual Gang Electric Box



IS-401B Horizontal Suite Station

Retrofit station for older apartment intercom systems using a horizontal apartment station. Station must be used with the IB-10A plaster ring or IB-2A Backbox.

Dimensions: 133mm(l) x 203mm(w) x 13mm
(from wall surface)

Backbox: IB-2A Metal Backbox

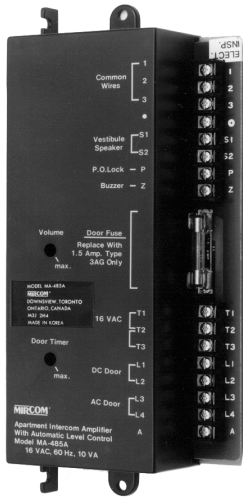


IS-51-3 Vandal Resistant Station

On the IS-51-3 suite station, all the push buttons are metal to withstand abuse. Similar to the IS-51-2 station all components are P.C.B. mounted.

Dimensions: 115mm(l) x 115mm(w)
(4.5"l) x 4.5" (w))

Backbox: Standard Dual Gang Electric Box

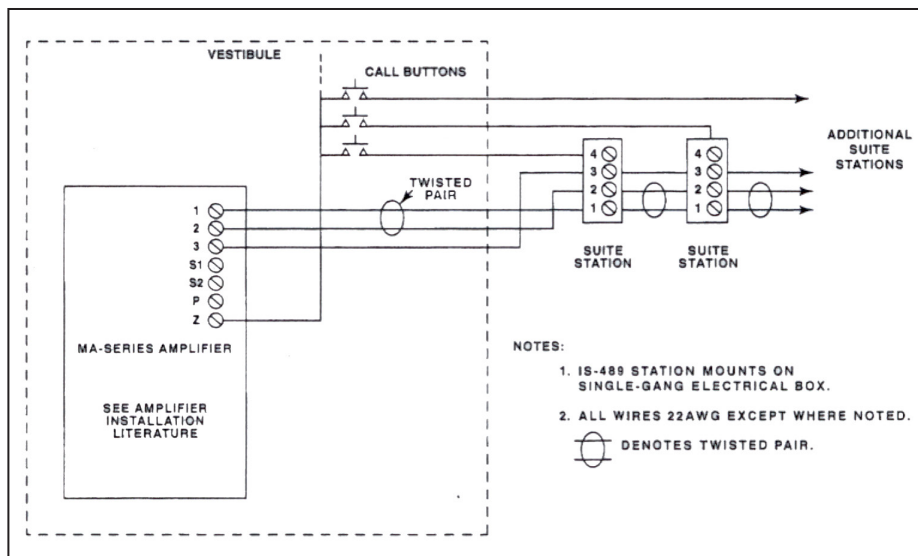


MA-485A Intercom Amplifier

The MA-485A amplifier provides audio amplification, control and power needed to operate an apartment intercom system. Extensive tests were performed to develop a reliable, long lasting intercom amplifier with precision amplifier circuits to provide crystal clear audio reception. Mircom's amplifier uses an automatic level control (ALC) circuit to ensure voice intelligibility. Built-in features include: timed door release silent door release and post lock release.

Easy To Use:

A site station in each apartment allows the tenant to be called from and converse with the visitor in the vestibule. A visitor presses the appropriate call button to transmit a call tone through the suite station. The tenants answer the call by alternately pressing the 'Talk' and 'Listen' buttons to converse with the visitor. After verifying the visitors identity, the tenant may admit the visitor by momentarily pressing the button marked "door" which triggers the electric door strike.



Wiring diagram shown illustrates typical single entrance application.

Ordering Information

Model	Description
IS-489	3 Button Single Gang Suite Station
IS-489-1	4 Button Station Single Gang Suite Station
IS-51-2	Economical Dual Gang Station
IS-51-3	Vandal Resistant Station
IS-401B	Horizontal Suite Station
MA-485A	Intercom Amplifier



Canada
 25 Interchange Way
 Vaughan, Ontario L4K 5W3
 Telephone: (905) 660-4655
 Fax: (905) 660-4113

U.S.A.
 4575 Witmer Industrial Estates
 Niagara Falls, NY 14305
 Toll Free: (888) 660-4655
 Fax Toll Free: (888) 660-4113



Intertek

THIS INFORMATION IS FOR MARKETING PURPOSES ONLY AND NOT INTENDED TO DESCRIBE THE PRODUCTS TECHNICALLY.

For complete and accurate technical information relating to performance, installation, testing and certification, refer to technical literature. This document contains intellectual property of Mircom. The information is subject to change by Mircom without notice. Mircom does not represent or warrant correctness or completeness.