



Features

- 600 pounds minimum holding force
- Compatible with all access/egress systems
- Aluminium/stainless casings are weather and vandal resistant
- On board mov's provide protection against voltage spikes and surges
- Assorted mounting brackets and filler plates available

Description

The MIR6B model contains a bond sensor to indicate that the door is secure, an internal timer that eliminates the need for add-on exit delays timers and a door status switch, relay and LED.

Power Selector Jumpers:

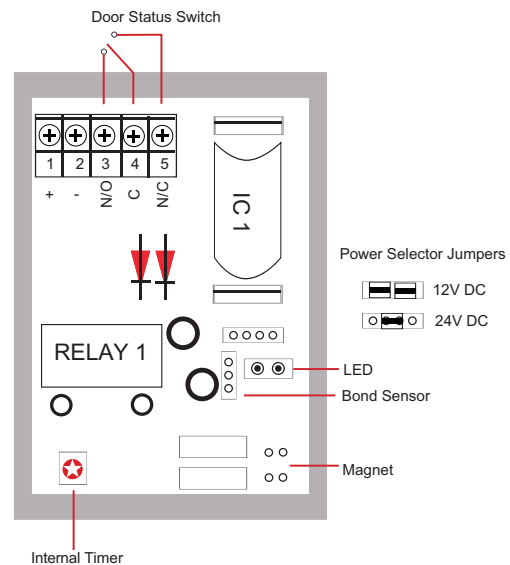
A. 12V DC Input:

Power Selector jumper for 12V DC operation. Connect the ground (-) lead from a 12V DC power source to terminal 2. Connect the positive (+) lead from a 12V DC power source to terminal 1.

B. 24V DC Input:

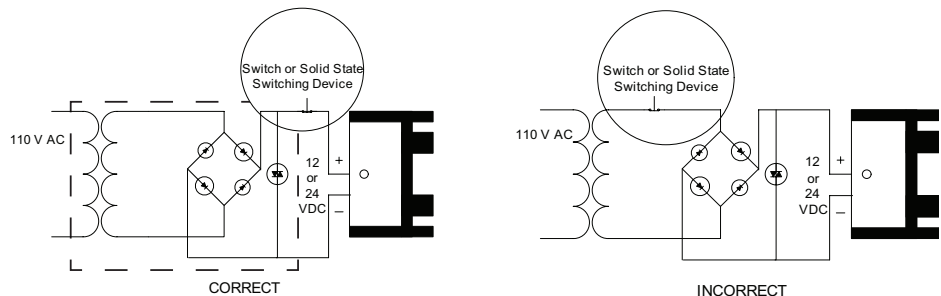
Power Selector jumper for 24V DC operation. Unit is delivered from Factory with single jumper ON for 24V operation. Connect the ground (-) lead from a 24V DC power source to terminal 2. Connect the positive (+) lead from a 24V DC power source to terminal 1.

Printed Circuit Board Schematic (shown with all options)



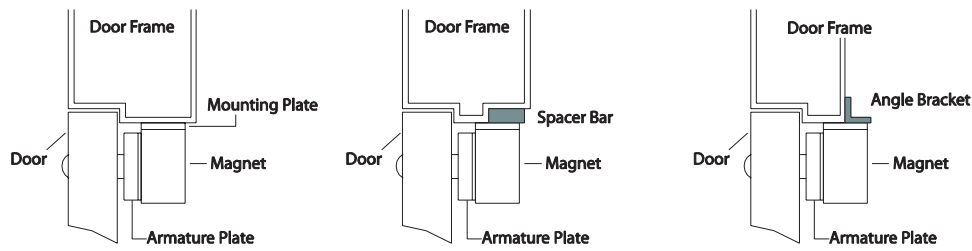
Power Supply Wiring Requirements

In context with the Power switch or solid state switching device installation to minimize the effect of residual magnetism install switch at location indicated in the schematic diagram "CORRECT".

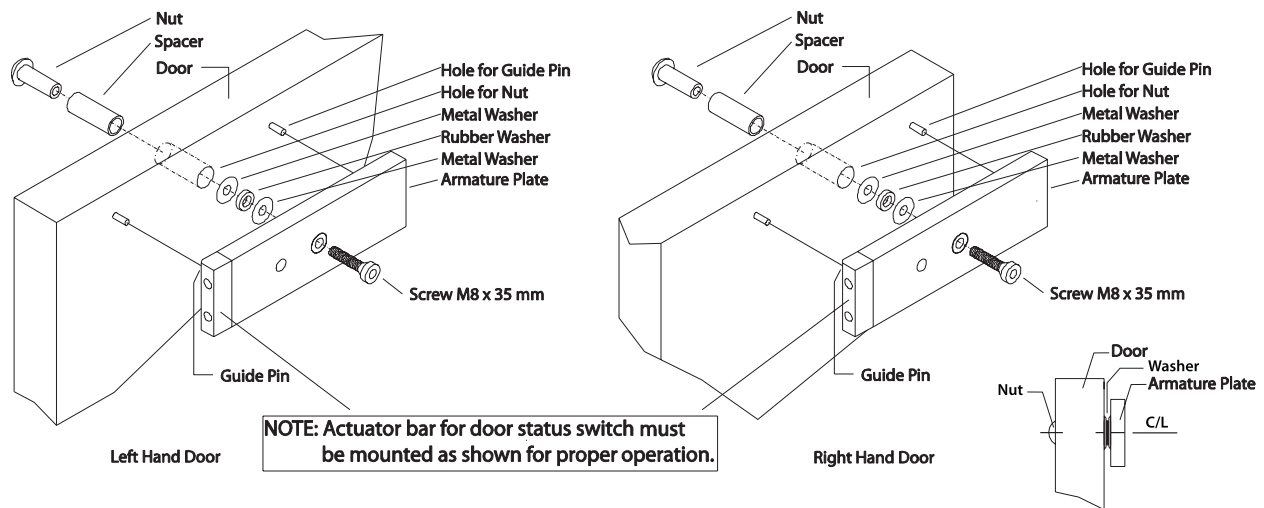


Typical Installation



Electromagnetic Lock Mounts to Door Frame



Armature plate mounts to Door



Ordering Information

Model	Description	Features	Current Draw	Dimensions
MIR6S 	600 lbs Surface Mount Single Door	Basic	500mA @ 12 V 250mA @ 24 V	9 7/8" x 1 7/8" x 1" 251mm x 48mm x 25mm
MIR6B 	600 lbs Surface Mount Single Door with Sensor	Comes with Adjustable timer, Lock Sensor, Door Status Switch, Relay & LED		

NOT TO BE USED FOR INSTALLATION PURPOSES.



Canada
25 Interchange Way
Vaughan, Ontario L4K 5W3
Telephone: (905) 660-4655
Fax: (905) 660-4113

U.S.A.
4575 Witmer Industrial Estates
Niagara Falls, NY 14305
Toll Free: (888) 660-4655
Fax Toll Free: (888) 660-4113

Web page: <http://www.mircomgroup.com> Email: mail@mircomgroup.com

Distributed by:

ISO 9001:2008
REGISTERED 

CAT. 7907
Rev. 1