



Features

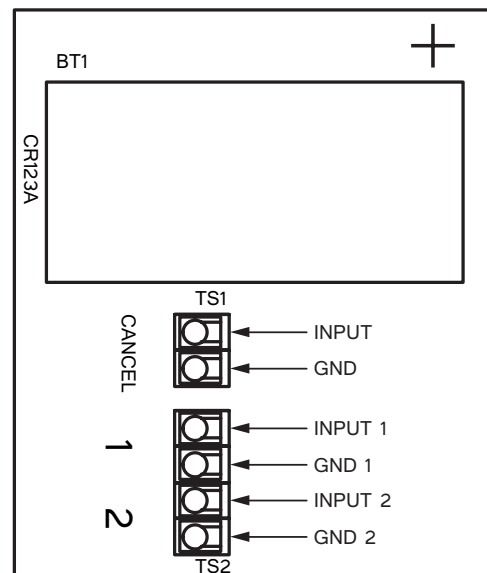
- 3 screw down inputs.
- LED indicator.
- Long battery life with a standard CR123A battery.
- Batteries are easily changed by maintenance staff.
- Low battery indicator which routes to special reports for maintenance staff and their own electronic checklist of completed maintenance.
- Can be placed anywhere in the facility.
- Fully supervised heartbeats to Central ensuring 24/7 operation.

Description

The NC-220 ZF3 3 input transmitter can be used anywhere a N/O contact is required. A fully stand-alone wireless device that can be placed anywhere in a facility, the NC-220 has a powerful user serviceable CR123A battery for long battery life.

Enclosed in a compact PVC box, the NC-220 ZF3 has 3 terminal block input and an internal button for configuration. Each input is uniquely identified and input 1 can be configured as a cancel at source. A great solution for door contacts, motion sensors and auxiliary smoke detectors.

Install with the included 4 mounting screws or hide in the ceiling area for a clean look to your hardwired devices.



Technical Specifications

Standards:	CSA 22.2 #205, FCC Part 15, Class "B", CS-03
Power Options:	Input Power: <ul style="list-style-type: none"> • 1 x 3 V CR123A Battery • Capacity: 1550.0 mAh • Nominal Current: 10 μA • Transmit Current: 35 mA • Receive Current: 25 mA • Transmit and Receive Frequency: 4 times a day
Wireless Characteristics:	ZigBee: <ul style="list-style-type: none"> • Frequency: 2.4 GHz • Network type: 802.15.4 wireless mesh network • Range: 23 m (75 ft) with indoor line of sight
Physical Characteristics:	Enclosure: Plastic Color: Black Weight: 45 g (1.6 oz) Dimensions: 111 mm x 60 mm x 40 mm (4.4" W x 2.4" D x 1.6" H) Operating Temperature: 0° C to +50° C (32° F to 122° F)
Input Operating Specifications:	Wet contact pair, supplied voltage is max 3.6 V Nominal current of 1.4 mA (external loop closed) and an absolute maximum of 5 mA. Follow manufacturer's specifications for any attached equipment or wiring.

Ordering Information

Model	Description
NC-220	ZF3

NOT TO BE USED FOR INSTALLATION PURPOSES.



Canada
 25 Interchange Way
 Vaughan, Ontario L4K 5W3
 Telephone: (905) 660-4655
 Fax: (905) 660-4113

U.S.A.
 4575 Witmer Industrial Estates
 Niagara Falls, NY 14305
 Toll Free: (888) 660-4655
 Fax Toll Free: (888) 660-4113

Distributed by: