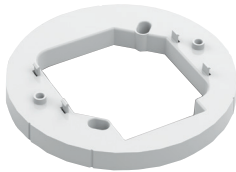




**SPEAKERS**  
 SPP-104-25 (white)  
 SPP-104-70 (white)  
 SPP-104-25R (red)  
 SPP-104-70R (red)

**SPEAKER STROBES**  
 SPPS-104-25 (White)  
 SPPS-104-70 (White)  
 SPPS-104-70R (Red)  
 SPPS-104-25R (Red)  
 SPPS-104-25H (High candela White)  
 SPPS-104-70H (High candela White)  
 SPPS-104-25HR (High candela Red)  
 SPPS-104-70HR (High candela Red)



SPKC-W  
 (Optional White Spacer)

## Description

The ceiling speaker SPP-104 and speaker strobe SPPS-104 Series offer an audible/visual solution that delivers exceptional energy efficiency in a compact design.

Utilizing advanced LED technology, SPPS-104 Series provides a much lower current draw than xenon bulb technology. This in turn allows for more devices on a notification appliance circuit while reducing the number of external power supplies required.

When flash synchronization is required, the built-in synchronization on the control unit can be used or can be done through a synchronization module.

The SPPS-104 speaker strobes and the SPP-104 speakers are designed to meet NFPA 72, UL1480, UL1638, UL 1971, ULC S541, ULC S526 requirements for visual and audible notification appliance.



## Features

- Advanced LED technology provides superior current draw performance across the entire range of candela settings
- 25Vrms or 70.7Vrms Speaker only or Speaker Strobe options
- Speaker power settings: ¼, ½, 1, 2 W
- Field selectable candela settings for SPPS-104-25/70 models: 15, 30, 75, 110, 125, 15/75 cd
- High candela option for flexibility
- Field selectable candela settings for SPPS-104-25/70H (high candela) models: 50, 75, 90, 130, 185, 15/75 cd
- Synchronize via option module or by panel with MGC protocol
- Spacer (SPKC-W) option for mounting to 4 inch square by 2 1/8" electrical box.
- Tamper proof option settings
- Red or white option
- Enhance emergency communication with white models featuring an 'ALERT' insert

## Benefits

**Energy Efficient:** Ultra low current draw (33mA at 15cd). Allows for a higher capacity of notification devices per circuit and eases external power supply requirements.

**Flexibility:** Multiple language plastic inserts included with speaker strobes (English/French/Spanish)

**Simple:** Trim plate/adaptor kit brackets (SPKC-W) for standard 4" back box use in retrofit applications

## Specifications

Operating temperature	0°C to 50° (32°F to 122°F)
Humidity range	0% to 93%
Strobe flash rate	1 Hz (1 flash per sec.)
Nominal strobe voltage	Regulated 24VDC/VFWR
Operating voltage range	16-33 VDC/VFWR
Nominal speaker voltage	25V or 70.7Vrms
Speaker Size	3.31" deep (max), 7" diameter
Power Setting	¼, ½, 1, 2 W
Speaker Frequency Range	400-4000 Hz
Terminal wire gauge	12-22 AWG
Optional spacer	SPKC-W

## Audible Ratings

SOUND PRESSURE LEVEL OUTPUT

SPP-104 SERIES				
WATT Tap	UL Reverberant (dBA@10ft)		UL Anechoic (dBA@3m)	
	70	25	70	25
2	89.2	89.2	89.6	89.4
1	86.5	87.4	86.8	86.8
1/2	83.7	84.5	83.9	83.7
1/4	80.5	81.2	80.7	80.5

SPPS-104 SERIES				
WATT Tap	UL Reverberant (dBA@10ft)		UL Anechoic (dBA@3m)	
	70	25	70	25
2	89.0	89.0	87.8	88.2
1	86.7	86.8	85.1	85.6
1/2	84.0	83.9	82.3	82.6
1/4	80.8	80.7	78.9	79.5

## Strobe Ratings

STROBE OPERATION RMS CURRENTS (mA)

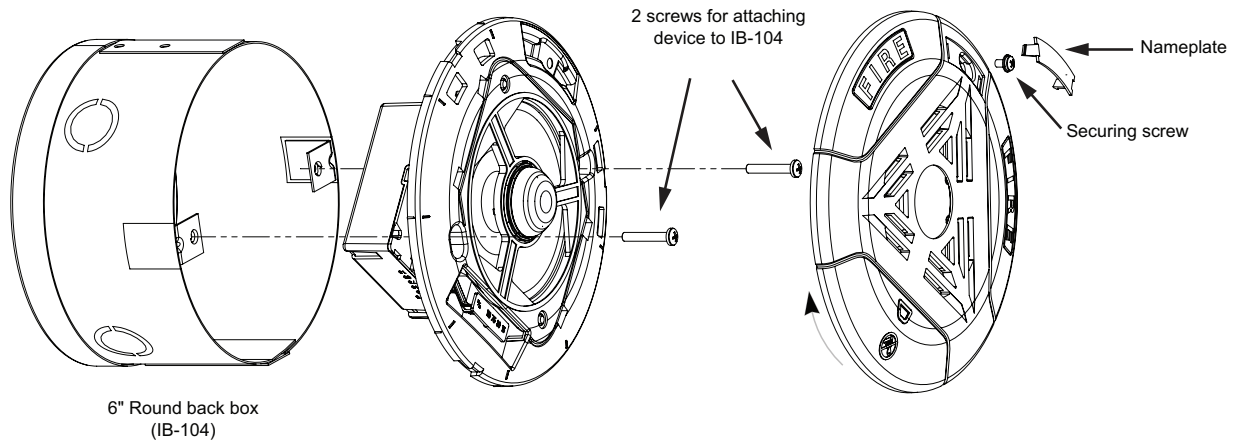
SPPS-104 SERIES		
Candela	Regulated 24VDC	Regulated 24VFWR
15	33	33
30	47	43
75	111	100
110	204	186
125	295	277
15/75	112	100

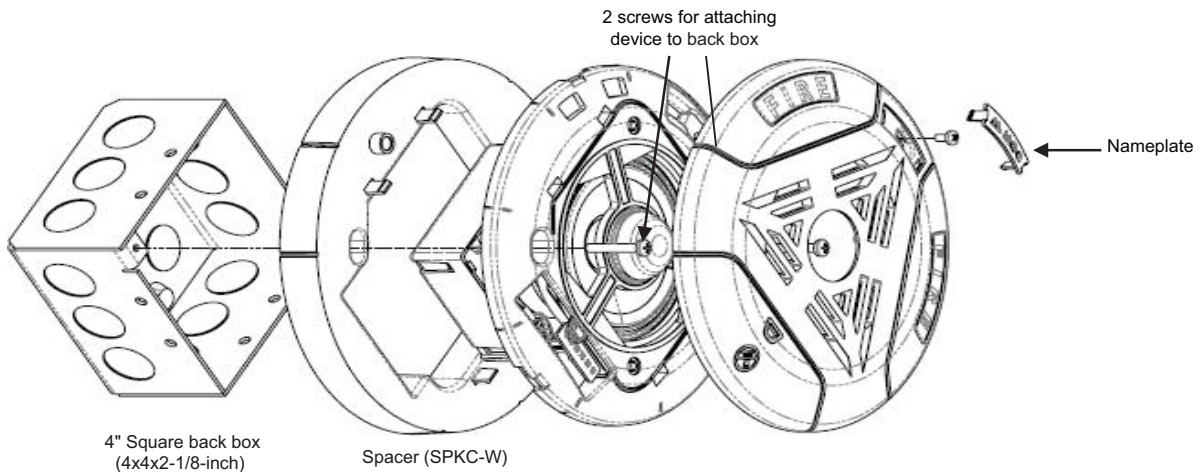
SPPS-104 H SERIES		
Candela	Regulated 24VDC	Regulated 24VFWR
50	54	57
75	78	83
90	100	104
130	159	162
185	343	327
15/75	82	87

## Mounting

Ceiling Speaker Strobe mounting with 6" back box (IB-104)

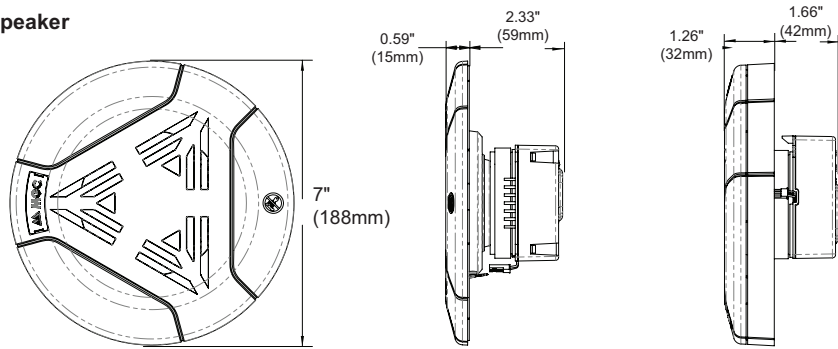


Mounting with optional spacer (SPKC-W) if using a standard 4" square electrical back box



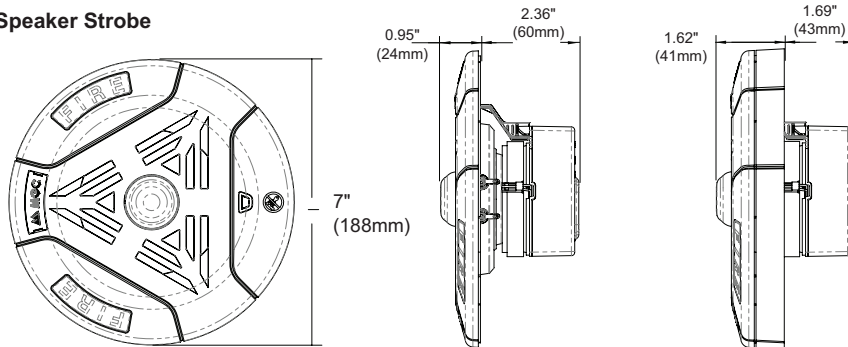
## Dimensions

### Ceiling Speaker



Dimension with spacer installed

### Ceiling Speaker Strobe



Dimension with spacer installed

## Ordering Information

Model	Description
SPP-104-25	Ceiling mounted speaker 25V White
SPP-104-70	Ceiling mounted speaker 70V White
SPP-104-25R	Ceiling mounted speaker 25V Red
SPP-104-70R	Ceiling mounted speaker 70V Red
SPPS-104-25	Ceiling mounted speaker strobe 25V White
SPPS-104-70	Ceiling mounted speaker strobe 70V White
SPPS-104-25R	Ceiling mounted speaker strobe 25V Red
SPPS-104-70R	Ceiling mounted speaker strobe 70V Red
SPPS-104-25H	Ceiling mounted speaker strobe 25V with High Candela White
SPPS-104-70H	Ceiling mounted speaker strobe 70V with High candela White
SPPS-104-25HR	Ceiling mounted speaker strobe 25V with High Candela Red
SPPS-104-70HR	Ceiling mounted speaker strobe 70V with High Candela Red
SPKC-W	Optional White Spacer for Retrofit or for mounting in a standard 4" square box
IB-104	6 Inch round flush back box
MIX-4050	MGC Sync Module
MRI-4050	Secutron Sync Module



#### Canada

25 Interchange Way Vaughan, ON L4K 5W3  
Telephone: (905) 660-4655 | Fax: (905) 660-4113

#### U.S.A.

4575 Witmer Industrial Estates Niagara Falls, NY 14305  
Toll Free: (888) 660-4655 | Fax Toll Free: (888) 660-4113

www.mircom.com

This document is provided by Mircom Technologies Ltd., MGC Systems Corp., or their affiliates, subsidiaries and brands, for convenience or marketing only and does not describe products or services technically. For technical information refer to technical manuals. We do not make representations or warranties regarding this information, including as to completeness or accuracy. We may change these contents at any time and reserve all rights in the contents, including copyrights, trademarks and other intellectual property.