

Description

The SGM-1004S Module provides the FA-1000, FX-2000 Series, FleX-Net FX-2000N Series, FleX-Net FX-4000N Series and FX-MNS-6000 Fire Alarm Control panels with up to 4 Class A or B (Style Z or Y) Indicating Circuits.

Applications

SGM-1004S enables the compatible fire alarm control panels to have synchronized NAC circuits. The maximum number of the synchronized NAC circuits is determined by the panel capacity for hosting adder modules.

SGM-1004S offers a great deal of flexibility and introduces cost savings as it increases the number of synchronized NAC circuits per panel while reducing required quantity of sync modules and wiring.

The SGM-1004S provides up to four indicating circuits each rated at Regulated 24 VDC/FWR 1.7 Amps (5 Amps maximum per SGM-1004S) to signal devices such as strobes, bells, horns, etc., and for special applications it is rated at 33 VDC/FWR 2.1 Amps (5 Amps maximum per SGM-1004S). Each of the indicating circuits can be configured as non-silenceable (steady) or silenceable. In addition, each circuit comes with an individual trouble indicator. All circuits are power limited for use with limited energy cable. SGM-1004S has terminals for suite isolator option, part number CSIS-202A1.

Installation

The SGM-1004S consists of a PC board which mounts at the bottom of the chassis. The PC board is connected via cables to the board on the main chassis. Labels are provided with each chassis. Removable terminal blocks are provided for easy connection of field wiring and servicing.

Features

- Horn/Strobe synchronization protocol support for System Sensor, Wheelock, Secutron and Mircom
- Four Class A/B (Style Z/Y) Indicating Circuits
- Each Indicating Circuit is rated at Regulated 24 VDC/FWR 1.7 Amps (5 Amps maximum per SGM-1004S), and for special applications it is rated at 33 VDC/FWR 2.1 Amps (5 Amps maximum per SGM-1004S)
- Each Indicating Circuit can be configured as Non-Silenceable (Steady) or Silenceable
- Outputs resound on subsequent alarm
- LEDs (green) provided for indication of circuit activation.
- Programable to any input circuit
- Removable terminal blocks for ease of wiring and servicing
- Extensive transient protection on all circuits
- On-going over-current protection
- Option for a horn control input, for bell-cut operation
- Option for suite isolators

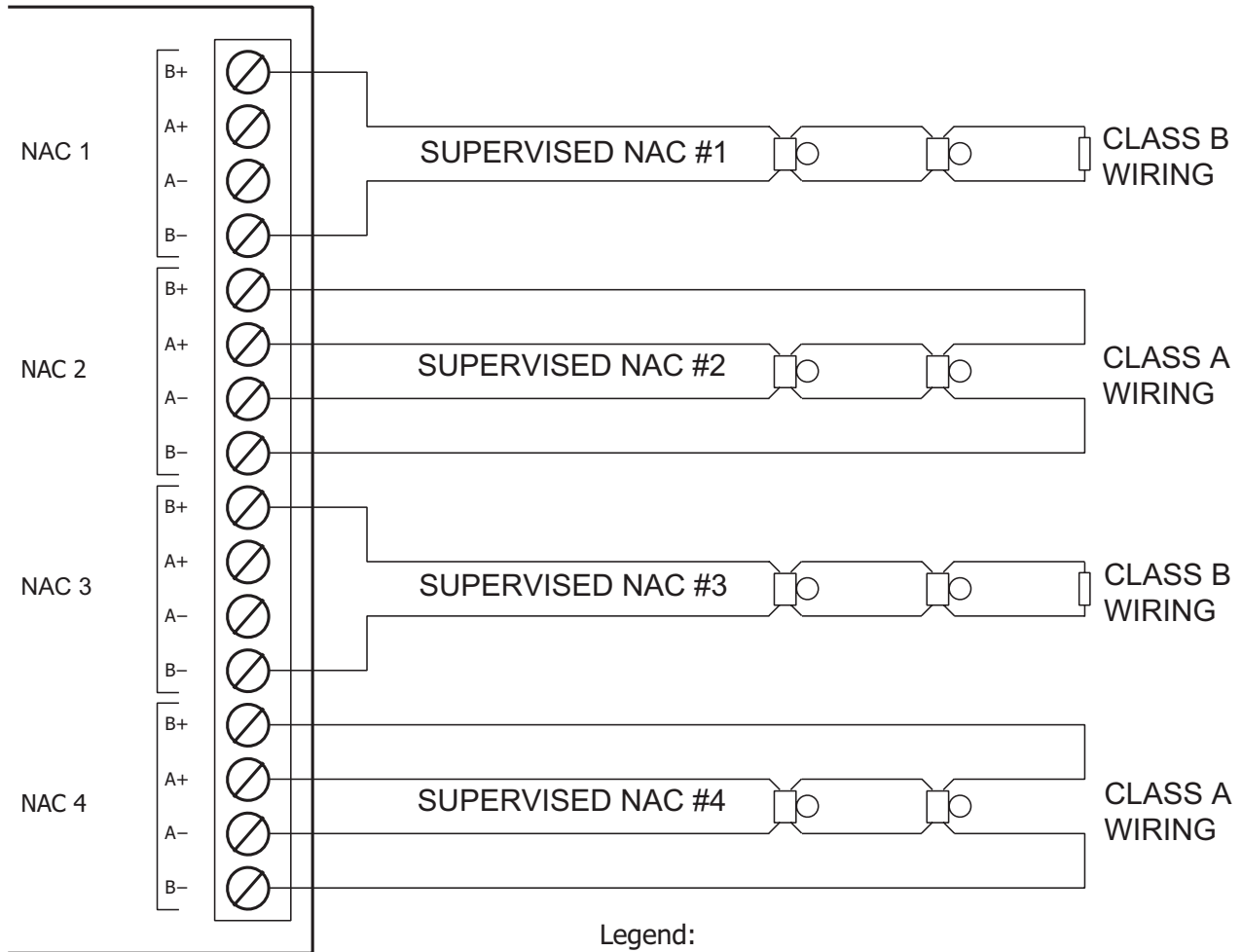
Technical Specifications

NAC Rating	Power limited where applicable: 24 VDC/FWR regulated max. 1.7 A @49 °C per NAC circuit max. 5 A per SGM-1004S Special application: Max. voltage 33 VDC/FWR max. 2.1 A @49 °C per NAC circuit max. 5 A per SGM-1004S. See LT-6734 for details
Standby Current	31 mA
Alarm Current (unloaded)	96 mA
End of Line Resistor	3.9K ohm ±5% per circuit
Operating Temperature Range	32°F to 120°F (0°C to 49°C)
Humidity Range	10% to 93% non-condensing





Typical Wiring Diagram

SGM-1004S NAC BOARD



Legend:

	BELL, HORN OR STROBE
	3.9K 1/2W ELR LISTED S5434 MODEL MP-300 MANUFACTURED BY MIRCOM

Ordering Information

Model	Description
SGM-1004S	4 NAC Output module with built-in synchronization



Canada

25 Interchange Way Vaughan, ON L4K 5W3
Telephone: (905) 660-4655 | Fax: (905) 660-4113

U.S.A.

4575 Witmer Industrial Estates Niagara Falls, NY 14305
Toll Free: (888) 660-4655 | Fax Toll Free: (888) 660-4113

www.mircom.com



This document is provided by Mircom Technologies Ltd., MGC Systems Corp., or their affiliates, subsidiaries and brands, for convenience or marketing only and does not describe products or services technically. For technical information refer to technical manuals. We do not make representations or warranties regarding this information, including as to completeness or accuracy. We may change these contents at any time and reserve all rights in the contents, including copyrights, trademarks and other intellectual property.

CAT. 9530

Rev. 1