



### Description

MGC’s SPPS-204-25R-WP and SPPS-204-70R-WP weather protected speaker/strobes are a robust and reliable solution designed to thrive in challenging environments. Crafted for outdoor installations, the MGC’s weather protected speaker/strobes are fortified against various environmental factors, ensuring unwavering performance in all conditions.

With a temperature range from -40°C to 66°C (-40°F to 151°F), the SPPS-204-25R-WP and SPPS-204-70R-WP are engineered to withstand extreme weather conditions, making it a dependable choice for a wide range of outdoor applications.

The SPPS-204-25R-WP and SPPS-204-70R-WP are designed for wall installation. Its design ensures easy insertion with minimal impact on the enclosure. This comprehensive package includes a high performance speaker/strobe, a durable backbox, and a transparent cover.

The distinctive red backbox and transparent cover not only enhance the device’s aesthetic appeal but also serve a practical purpose, providing quick and easy identification for seamless recognition.

The MGC SPPS-204-25R-WP and SPPS-204-70R-WP are designed to meet UL1480, UL1638, UL 1971, and ULC S541, ULC S526 requirements for visual and audible notification appliances.



### Features

- Outdoor-ready design with protection against environmental factors
- Reliable Performance in extreme weather conditions
- Operating Temperature Range from -40°C to 66°C (-40°F to 151°F)
- Advanced LED technology provides superior current draw performance
- Standard and High candela settings in one unit to meet virtually any application  
-15, 15/75, 30, 75, 110, 185 cd
- Multiple Speaker Power settings (Watts)  
- 1/4 W, 1/2 W, 1 W and 2 W
- Synchronization available with MGC Protocol or through external sync module for compatibility with any UL/ULC FACU or PSU
- Listed for Wall Mounting
- User friendly candela selector tab on device
- Removable side tabs for different types of installations
- Designed for easy installation with minimal impact on the enclosure
- Red backbox with transparent cover for quick identification
- Support 12 to 22 AWG wire

### Agency Listings

- UL 1971
- UL 1638
- UL 1480
- ULC-S541
- ULC-S526

### General Specifications

Operating Temperature	-40°C to 66°C (-40°F to 151°F)
Humidity Range	95% relative humidity at 60°C (140°F)
Nominal Voltage	Regulated 24 VDC/VFWR
Operating Voltage Range (RMS)	16 – 33 VDC/VFWR
Nominal Speaker voltage	25V or 70.7Vrms
Speaker size	6”L x 6”W x 3.45”D (max) (15.24 x 15.24 x 8.763 cm)
Power Setting	1/4, 1/2, 1, 2 W
Speaker Frequency Range	400 - 4000 Hz
Input Terminal Wire Gauge	12 -22 AWG
Installation Environment	Outdoor Environment Wet Location

## Audible Ratings

Overall Sound Pressure Level (Reverberant) @ 10 feet (dBA) for all audible tones

Power Tap (W)	Reverberant OSPL 10ft (dBA)
2	84.9
1	83.5
1/2	80.9
1/4	78

Note: Representative of speaker only both 25 and 70.7 input.

### Directional Sound Characteristics

Horizontal Axis	Angle	OSPL (dBA)
	± 53°	-3 dbA
	± 90°	-5.3 dbA
Vertical Axis	Angle	OSPL (dBA)
	± 52°	-3 dbA
	± 90°	-5.3 dbA

### Strobe Operating RMS Currents (mA)

Candela	Regulated 24 VDC	Regulated 24 VFWR
15	33	27
30	55	58
75	98	110
15/75	102	108
110	193	212
185*	276	269

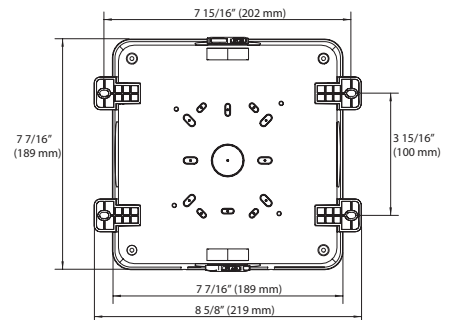
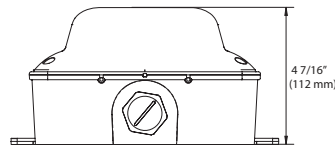
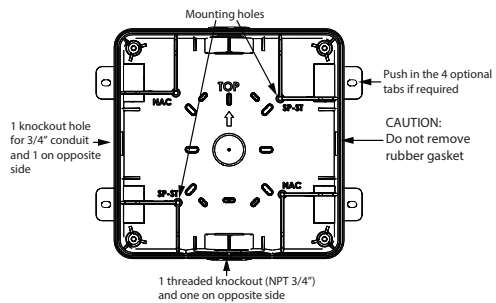
\* 185cd setting is for General Signaling only

### Light Output Dispersion

Degrees	% of Candela Setting	
	Horizontal Dispersion	Vertical Dispersion, Wall to Floor
± 0°	146	151
± 5°	143	163
± 10°	141	156
± 15°	135	145
± 20°	131	144
± 25°	127	135
± 30°	123	134
± 35°	115	100
± 40°	103	85
± 45°	100	71
± 50°	92	64
± 55°	83	60
± 60°	85	57
± 65°	96	46
± 70°	45	48
± 75°	49	39
± 80°	45	33
± 85°	52	29
± 90°	36	24
Compound ± 45°	32	-

Note: The values in the table are shown as percentages of the rated light output at any candela setting.

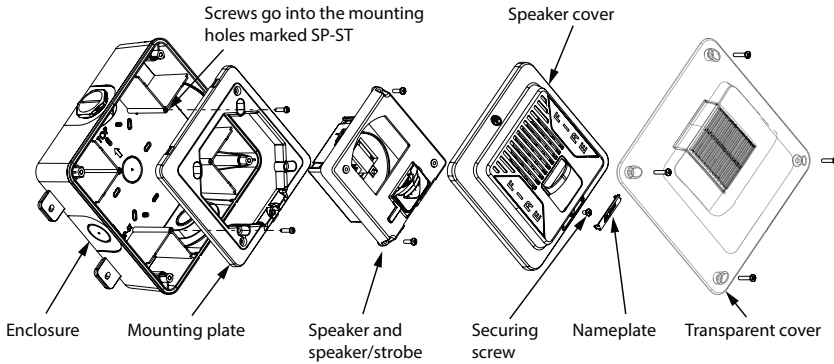
## Dimensions



## Mounting

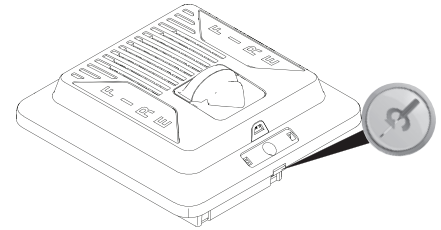
Mount the unit on the wall. When mounting on the wall, mount the enclosure with the word TOP at the top, and mount the device with the MGC nameplate at the bottom.

Note: Image for reference use only, go to Installation Manual LT-6512 for additional information.



## Removing the Speaker Cover from the Mounting Plate

To remove the device from the mounting plate, remove the nameplate and the securing screw, then insert a flathead screwdriver into the slot between the device and the mounting plate, and rotate the screwdriver.



## Ordering Information

Modèle	Description
SPPS-204-25R-WP	Weather Protected Wall/Speaker 25V, Red (device & enclosure)
SPPS-204-70R-WP	Weather Protected Wall Speaker 70V, Red (device & enclosure)
ENCL-SPPS-WP	Weather Protected Red Enclosure for Speaker or Speaker/Strobe

**Note: Devices from the SPPS Series designed for indoor use are not compatible with the ENCL-SPPS-WP for outdoor installations.**



Canada

25 Interchange Way Vaughan, ON L4K 5W3  
Telephone: (905) 660-4655 | Fax: (905) 660-4113

U.S.A.

4575 Witmer Industrial Estates Niagara Falls, NY 14305  
Toll Free: (888) 660-4655 | Fax Toll Free: (888) 660-4113

www.mircom.com



This document is provided by Mircom Technologies Ltd., MGC Systems Corp., or their affiliates, subsidiaries and brands, for convenience or marketing only and does not describe products or services technically. For technical information refer to technical manuals. We do not make representations or warranties regarding this information, including as to completeness or accuracy. We may change these contents at any time and reserve all rights in the contents, including copyrights, trademarks and other intellectual property.

CAT. 9532

Page 3 of 3

Rev. 1