

IPS-2424DS

Description

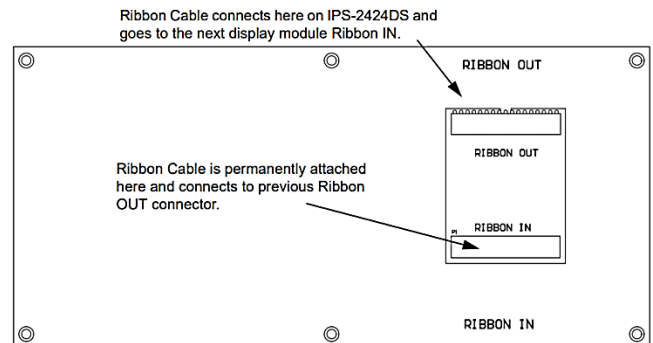
The IPS-2424DS Programmable Input Switches Module mounts into a series of enclosures as part of the fire alarm system. This adder module provides 24 programmable switches, 24 bi-coloured (red/amber) LEDs for fire alarm zone annunciation and 24 amber trouble LEDs. Compatible with FX-2000, FleX-Net™ (FX-2000N) and MMX Fire Alarm panels.

The bi-colored LED will flash red to indicate an alarm or it will flash amber to indicate that a supervisory alarm will be processed when the switch is returned to normal (unbypassed) position.

Features

- Provides 24 programmable switches
- 24 bi-coloured (red/amber) LEDs for fire zone annunciation
- 24 Amber Trouble LEDs
- Programmable for Zoned/Group/Device bypass
- Connects to to the main panel or RAX-LCD, RAXN-LCD, or RAXN-LCDG.
- Compatible with FX-2000, FleX-Net™ (FX-2000N) and MMX Fire Alarm panels.

Cable Connections



Power Consumption

	Amps (24VDC)
Stand by	10 mA
Alarm	22 mA

Ordering Information

Model	Description
IPS-2424DS	24 PROGRAMMABLE INPUT SWITCHES MODULE



Canada
 25 Interchange Way
 Vaughan, Ontario L4K 5W3
 Telephone: (905) 660-4655
 Fax: (905) 660-4113

U.S.A.
 4575 Witmer Industrial Estates
 Niagara Falls, NY 14305
 Toll Free: (888) 660-4655
 Fax Toll Free: (888) 660-4113



THIS INFORMATION IS FOR MARKETING PURPOSES ONLY AND NOT INTENDED TO DESCRIBE THE PRODUCTS TECHNICALLY.

For complete and accurate technical information relating to performance, installation, testing and certification, refer to technical literature. This document contains intellectual property of Mircom. The information is subject to change by Mircom without notice. Mircom does not represent or warrant correctness or completeness