

# EL-7011R\*

## LED Exit Sign Twin Spot Combo



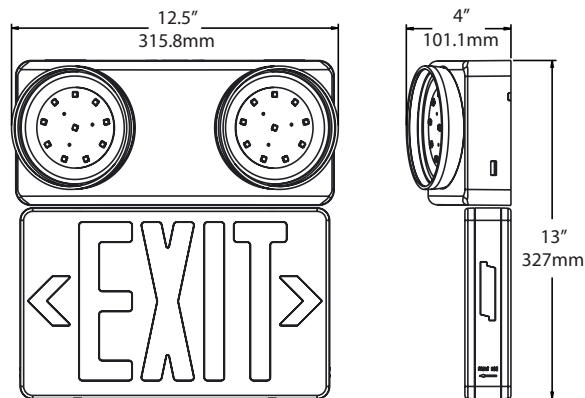
FEATURES	
Power (W)	6 W
Lamp Type	2x2 W LED
Input Voltage	120/277 VAC
Frequency	60 Hz
LED Type	SMD LED
Battery Type	Ni-cd
Working Time	90 Minutes
Charging Time	15-24 Hours



### DESCRIPTION

- Injection-molded thermoplastic ABS housing
- UL-94V-0 flame rating, fire-retardant
- Wall and ceiling mounting
- Input Voltage: 120/277VAC 60Hz
- 2x2W lamps for emergency mode
- Nickel Cadmium Battery
- Test switch and charge indicator light
- Overcharge & Over-discharge protection
- Backup time:  $\geq 90$  minutes
- Conversion time:  $< 0.2$  second
- IP Class: IP20
- Insulation: II, Range: 80m2
- Operating Temperature:  $0^{\circ}\text{C} \sim 40^{\circ}\text{C}$

### TECHNICAL DRAWING



### INCLUDED PICTOGRAMS

\*Available in Spanish EL-7011RS

