

ELRM-180-2RC

LED Running Man Combo Unit (Remote Capable)



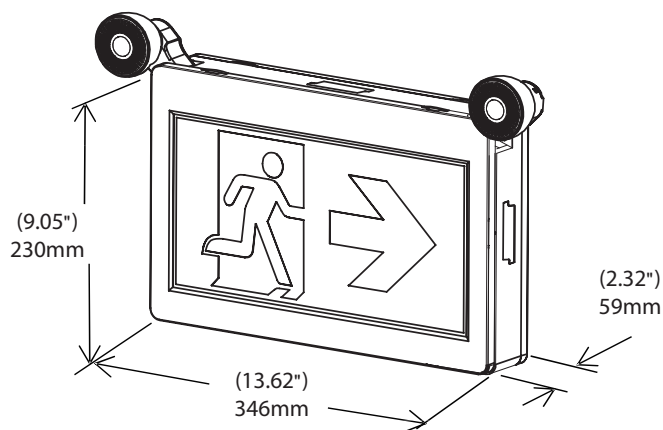
FEATURES	
Power (W)	3.5 W
Lamp Type	2x1 LED
Input Voltage	120/347 VAC
Frequency	60 Hz
LED Type	SMD LED
Battery Type	NI-cd
Working Time	90 Minutes
Charging Time	15-24 Hours



DESCRIPTION

- Injection-molded thermoplastic ABS housing
- UL-94V-0 flame rating, fire-retardant
- Wall and ceiling mounting
- Input Voltage: 120/347VAC 60Hz
- Super bright SMD LED 2x1W
- Nickel Cadmium Battery
- Test switch and charge indicator light
- Overcharge & Over-discharge protection
- Backup time: ≥90 minutes
- Conversion time: <0.2 second
- IP Class: IP20
- Insulation: II, Range: 80m2 / 860sq.ft
- Operating Temperature:
0 °C ~ 40 °C / 32 °F ~104 °F

TECHNICAL DRAWING



INCLUDED PICTOGRAMS



Arrow Right 2pcs



Without Arrow 1pcs

REMOTE ADD-ONS



EL-7030A (2pc Max)



EL-7030B (1pc Max)

