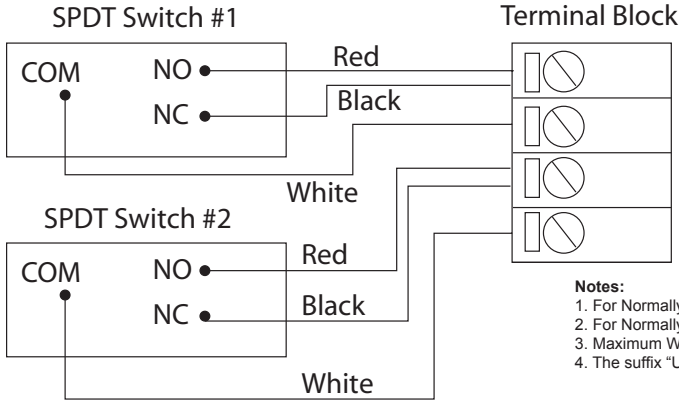


Mircom's MS-700(U) Series Emergency Manual Stations are high-quality, die-cast metal manual stations that are designed to meet special use requirements. The MS-700(U) Series is designed for indoor and outdoor use. Models are available in either single or dual action configurations with SPDT contacts and terminal strip connections. The contacts are gold plated to avoid the risk of corrosion. The MS-703 and MS-713 models are available in blue, and the MS-704 and MS-714 models are available in yellow.

MS-703(U), MS-704(U), MS-713(U), MS-714(U) Wiring



- Notes:**
1. For Normally Open operation, cut the NC wire (Black)
 2. For Normally Closed operation, cut the NO wire (Red)
 3. Maximum Wire Size: No. 12 AWG.
 4. The suffix "U" denotes USA version.

Models

- MS-703(U):** Blue Single Action Emergency Manual Station C/W 2 Form "C" Contacts
- MS-713(U):** Blue Dual Action Emergency Manual Station C/W 2 Form "C" Contacts
- MS-704(U):** Yellow Single Action Emergency Manual Station C/W 2 Form "C" Contacts
- MS-714(U):** Yellow Dual Action Emergency Manual Station C/W 2 Form "C" Contacts

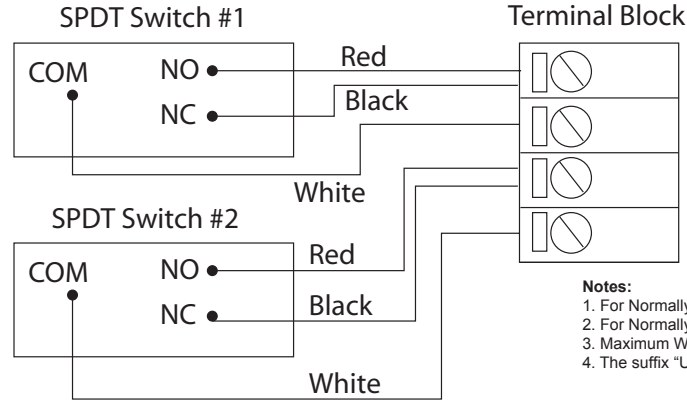
Specifications

- Switch Rating:** 1 Amp @ 30 VDC
0.1 Amp @ 120VAC
- Manual Station:** 4.9"H x 3.5"W x 2.3"D
- Surface-Mount Backbox:** 5.0"H x 3.6"W x 2.0"D

All manual fire alarm stations shall be installed as per the specific requirements outlined in the UL codes, as well as all other applicable national or local codes. Final acceptance is subject to the local authority having jurisdiction.

Mircom's MS-700(U) Series Emergency Manual Stations are high-quality, die-cast metal manual stations that are designed to meet special use requirements. The MS-700(U) Series is designed for indoor and outdoor use. Models are available in either single or dual action configurations with SPDT contacts and terminal strip connections. The contacts are gold plated to avoid the risk of corrosion. The MS-703 and MS-713 models are available in blue, and the MS-704 and MS-714 models are available in yellow.

MS-703(U), MS-704(U), MS-713(U), MS-714(U) Wiring



- Notes:**
1. For Normally Open operation, cut the NC wire (Black)
 2. For Normally Closed operation, cut the NO wire (Red)
 3. Maximum Wire Size: No. 12 AWG.
 4. The suffix "U" denotes USA version.

Models

- MS-703(U):** Blue Single Action Emergency Manual Station C/W 2 Form "C" Contacts
- MS-713(U):** Blue Dual Action Emergency Manual Station C/W 2 Form "C" Contacts
- MS-704(U):** Yellow Single Action Emergency Manual Station C/W 2 Form "C" Contacts
- MS-714(U):** Yellow Dual Action Emergency Manual Station C/W 2 Form "C" Contacts

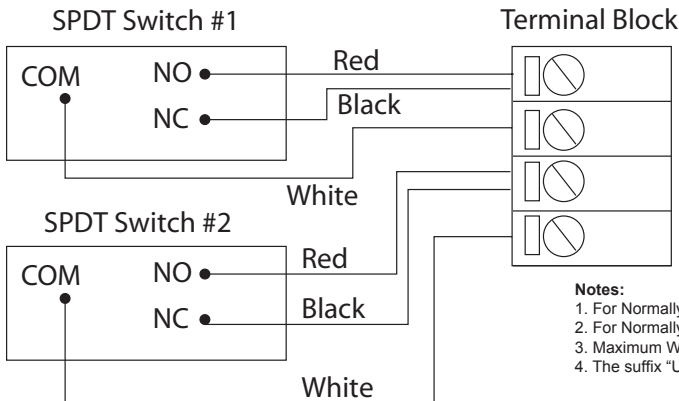
Specifications

- Switch Rating:** 1 Amp @ 30 VDC
0.1 Amp @ 120VAC
- Manual Station:** 4.9"H x 3.5"W x 2.3"D
- Surface-Mount Backbox:** 5.0"H x 3.6"W x 2.0"D

All manual fire alarm stations shall be installed as per the specific requirements outlined in the UL codes, as well as all other applicable national or local codes. Final acceptance is subject to the local authority having jurisdiction.

Mircom's MS-700(U) Series Emergency Manual Stations are high-quality, die-cast metal manual stations that are designed to meet special use requirements. The MS-700(U) Series is designed for indoor and outdoor use. Models are available in either single or dual action configurations with SPDT contacts and terminal strip connections. The contacts are gold plated to avoid the risk of corrosion. The MS-703 and MS-713 models are available in blue, and the MS-704 and MS-714 models are available in yellow.

MS-703(U), MS-704(U), MS-713(U), MS-714(U) Wiring



- Notes:**
1. For Normally Open operation, cut the NC wire (Black)
 2. For Normally Closed operation, cut the NO wire (Red)
 3. Maximum Wire Size: No. 12 AWG.
 4. The suffix "U" denotes USA version.

Models

- MS-703(U):** Blue Single Action Emergency Manual Station C/W 2 Form "C" Contacts
- MS-713(U):** Blue Dual Action Emergency Manual Station C/W 2 Form "C" Contacts
- MS-704(U):** Yellow Single Action Emergency Manual Station C/W 2 Form "C" Contacts
- MS-714(U):** Yellow Dual Action Emergency Manual Station C/W 2 Form "C" Contacts

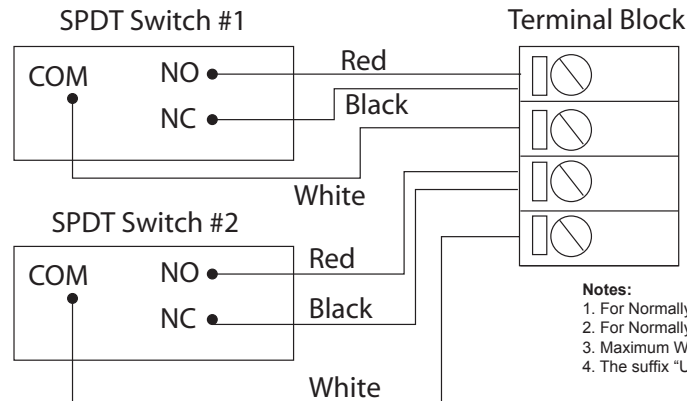
Specifications

- Switch Rating:** 1 Amp @ 30 VDC
0.1 Amp @ 120VAC
- Manual Station:** 4.9"H x 3.5"W x 2.3"D
- Surface-Mount Backbox:** 5.0"H x 3.6"W x 2.0"D

All manual fire alarm stations shall be installed as per the specific requirements outlined in the UL codes, as well as all other applicable national or local codes. Final acceptance is subject to the local authority having jurisdiction.

Mircom's MS-700(U) Series Emergency Manual Stations are high-quality, die-cast metal manual stations that are designed to meet special use requirements. The MS-700(U) Series is designed for indoor and outdoor use. Models are available in either single or dual action configurations with SPDT contacts and terminal strip connections. The contacts are gold plated to avoid the risk of corrosion. The MS-703 and MS-713 models are available in blue, and the MS-704 and MS-714 models are available in yellow.

MS-703(U), MS-704(U), MS-713(U), MS-714(U) Wiring



- Notes:**
1. For Normally Open operation, cut the NC wire (Black)
 2. For Normally Closed operation, cut the NO wire (Red)
 3. Maximum Wire Size: No. 12 AWG.
 4. The suffix "U" denotes USA version.

Models

- MS-703(U):** Blue Single Action Emergency Manual Station C/W 2 Form "C" Contacts
- MS-713(U):** Blue Dual Action Emergency Manual Station C/W 2 Form "C" Contacts
- MS-704(U):** Yellow Single Action Emergency Manual Station C/W 2 Form "C" Contacts
- MS-714(U):** Yellow Dual Action Emergency Manual Station C/W 2 Form "C" Contacts

Specifications

- Switch Rating:** 1 Amp @ 30 VDC
0.1 Amp @ 120VAC
- Manual Station:** 4.9"H x 3.5"W x 2.3"D
- Surface-Mount Backbox:** 5.0"H x 3.6"W x 2.0"D

All manual fire alarm stations shall be installed as per the specific requirements outlined in the UL codes, as well as all other applicable national or local codes. Final acceptance is subject to the local authority having jurisdiction.