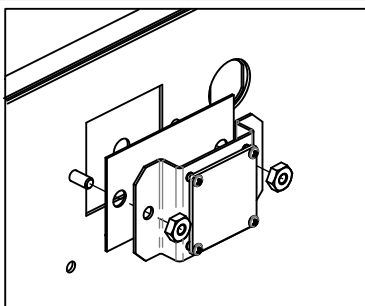
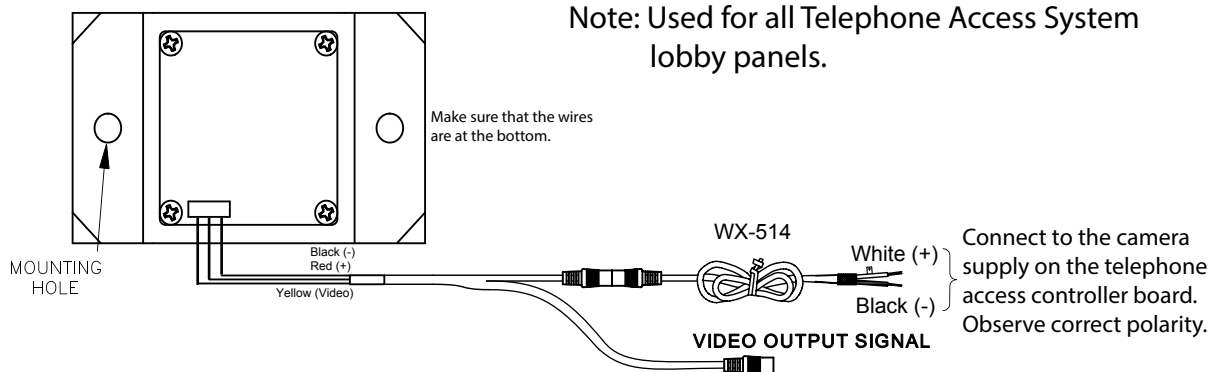


## Video Camera INSTALLATION & WIRING INSTRUCTIONS



1. Remove plug from the door camera hole.
2. Install camera on the back of door using the provided hex nuts on the studs.
3. Make sure that the wires are at the bottom as shown.
4. Wire the camera as shown.

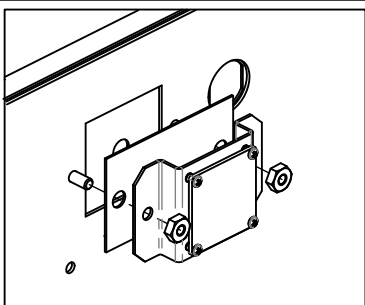
Note: Used for all Telephone Access System lobby panels.



Canada & International 25 Interchange Way, Vaughan (Toronto), Ontario L4K 5W3 Telephone: (905) 660-4655 Fax: (905) 660-4113  
U.S.A. 4575 Witmer Industrial Estates, Niagara Falls, NY 14305 Telephone: (888) 660-4655 Fax: (888) 660-4113

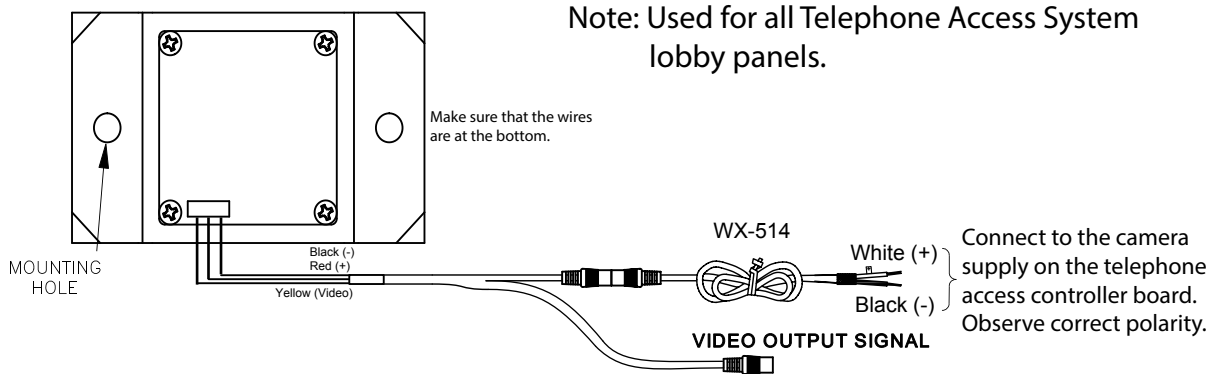
LT-1080 REV. 7

## Video Camera INSTALLATION & WIRING INSTRUCTIONS



1. Remove plug from the door camera hole.
2. Install camera on the back of door using the provided hex nuts on the studs.
3. Make sure that the wires are at the bottom as shown.
4. Wire the camera as shown.

Note: Used for all Telephone Access System lobby panels.



Canada & International 25 Interchange Way, Vaughan (Toronto), Ontario L4K 5W3 Telephone: (905) 660-4655 Fax: (905) 660-4113  
U.S.A. 4575 Witmer Industrial Estates, Niagara Falls, NY 14305 Telephone: (888) 660-4655 Fax: (888) 660-4113

LT-1080 REV. 7