

THIS DOCUMENT, LT-1086, ONLY DESCRIBES MECHANICAL INSTALLATION.

FOR ALL OTHER INFORMATION, REFER TO LT-657 FX-2000 INSTALLATION AND OPERATIONAL MANUAL. SPECIFICALLY, FOR ANY INFORMATION RELATED TO WIRING, REFER TO "TABLE OF CONTENTS" ON LT-657 MANUAL FOR FIELD WIRING.

Mechanical Installation for the FX-2003-12XT Fire Alarm and Backbox

The FX-2003-12XT is an expanded version of the FX-2003-12. The new enclosure model is BB-1024XT(R) with dimensions 15.05" wide, 35.8" long, 5.43" deep. Figure 1 below shows backbox and door dimensions as well as the trim ring model FA-XT-TRB which is used for flush mounting of the enclosure. The backbox and trim ring is black and the door is available in red Model BBX-1024XTR and white Model BBX-1024XT. In all other respects, the BBX-1024T and BBX-1024XTR are the same.

Figure 1: BBX-1024XT(R) Backbox Enclosure with Trim Ring

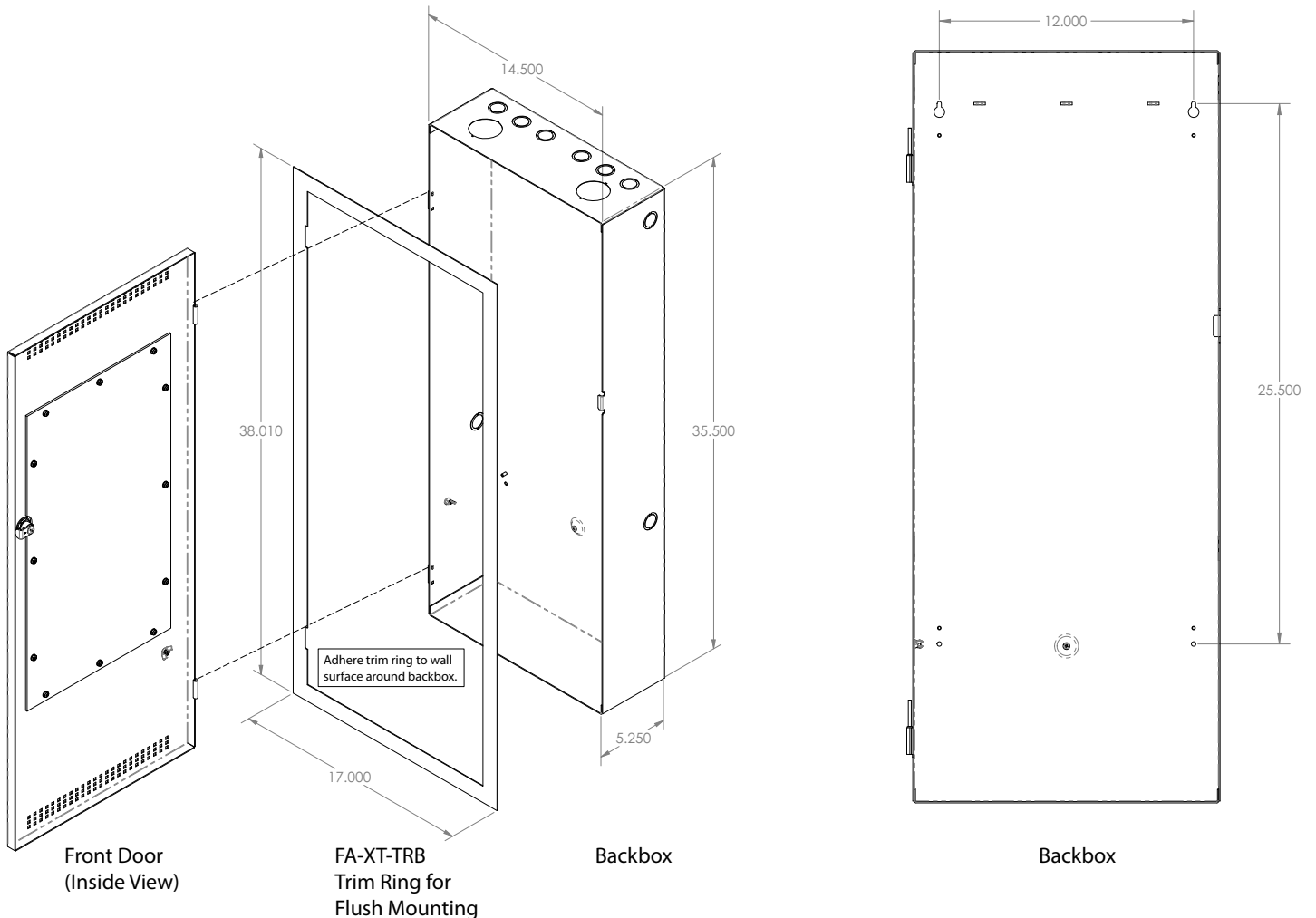


Figure 2: Surface and Flush Mounting Views of the BBX-1024XT

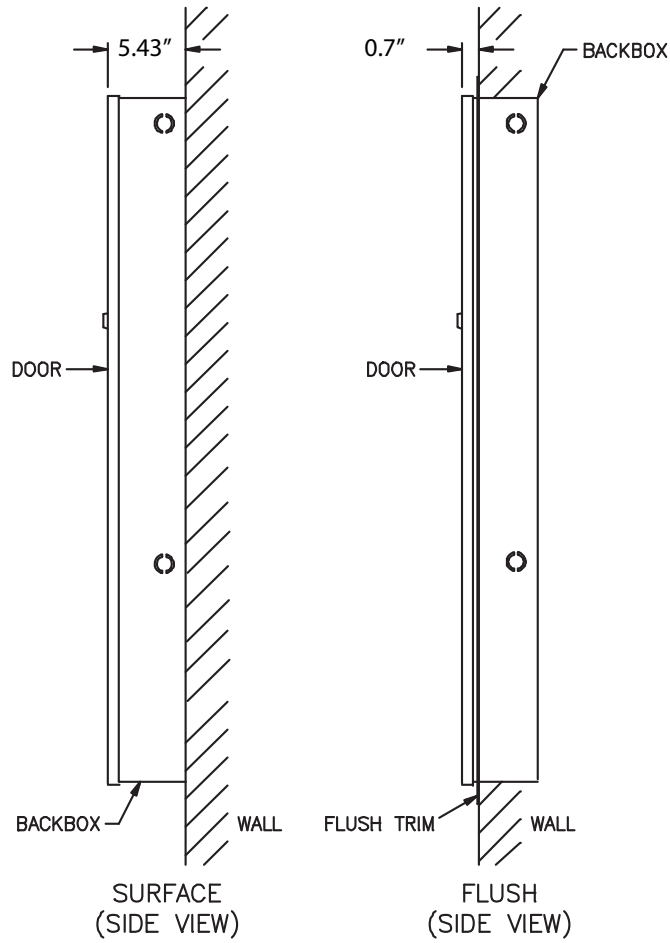
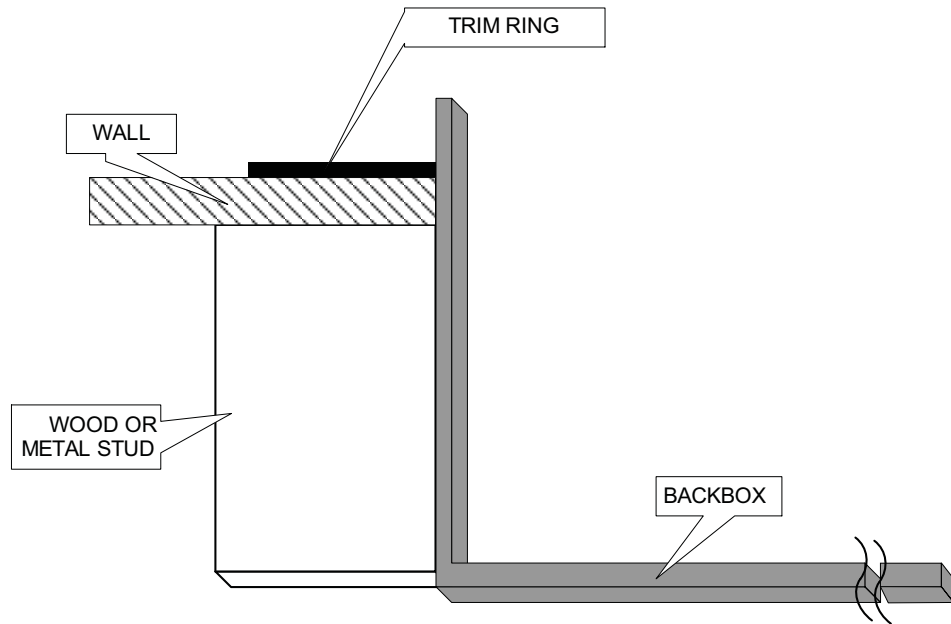


Figure 3: Cross-Section of the BBX-1024XT Flush Mounted Box with FA-XT-TRB Trim Ring

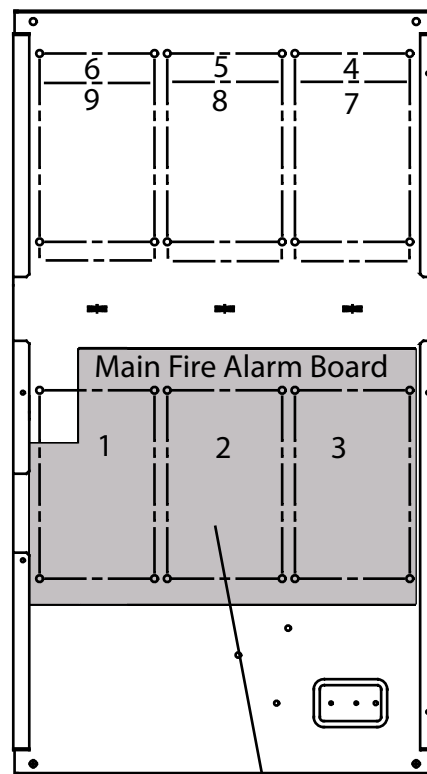


Mounting the Boards to the Chassis

The main board is mounted to the chassis and is shipped out this way. Up to 9 adder modules can be mounted in the same manner as explained in the respective LT-657 FX-2000 manual. There is space for only one display module (which is viewed from the front, see Figure 4). Display modules such as RAX-1048/TZ Programmable 48 Zone and Trouble LED display module, IPS-2424 Programmable Input Switches module and FDX-008 Fan Damper module can be used as the display module. In addition up to 9 adder modules may be mounted inside the backbox on the chassis as shown in Figure 4.

Figure 4: FX-2003-XT in a BB-1024XT Enclosure

Inside Chassis for mounting adder modules. Three modules can be mounted over the main fire alarm board and six above the main fire alarm board stacked three over three.



Three adder modules mounted over main fire alarm board.

Mircom
Toll Free: 1-888-660-4655
Local: 905-660-4655
Fax: 905-660-4113
<http://www.mircom.com>