

In no event shall Mircom be liable for any direct, indirect or consequential damages, loss of anticipated profits, loss of time or any other losses incurred by the buyer in connection with the purchase, installation or operation or failure of this product.

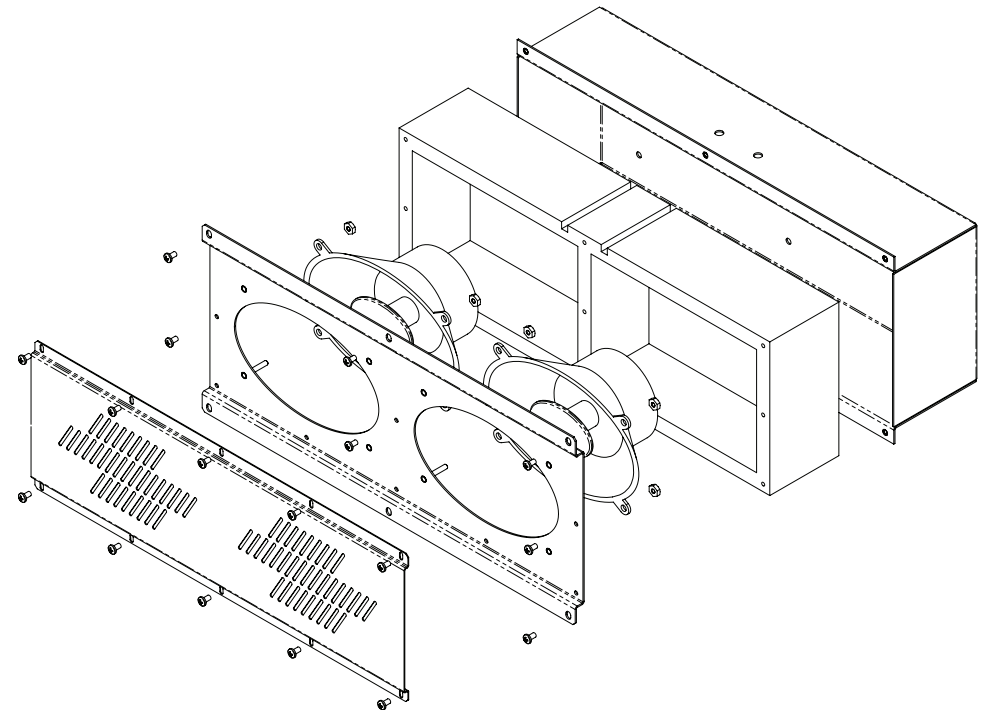
Important:

Mircom recommends that the entire system be completely tested on a regular basis. However, despite frequent testing, and due to but not limited to criminal tampering or electrical disruption, it is possible for this product to fail to perform as expected.

TX3 Speaker Replacement Instructions

These instructions explain how to replace the speakers or any component of the speaker housing assembly for the TX3 Touch.

1. Turn off the TX3 Touch software and shutdown the system. Disconnect the power.
2. Open the front panel cover on the TX3 Touch and identify the Touchscreen Audio Mixer Board, part number MD-986. Two pairs of speaker wires should be connected to the terminals labelled Audio Out L and Audio Out R. Loosen the screws on the two plug-in terminal block connectors for each of the four wires. Remove the wires from the terminal block connectors.



LT-1092

Canada - Main Office
25 Interchange Way
Vaughan, ON, L4K 5W3
Tel: (888) 660-4655
(905) 660-4655
Fax: (905) 660-4113

USA
4575 Witmer Industrial Estates
Niagara Falls, NY 14305
Tel: (888) 660-4655
(905) 660-4655
Tel: (905) 660-4113

TECHNICAL SUPPORT
North America
Tel: (888) Mircom5
(888) 647-2665
International
Tel: (905) 647-2665

3. Remove each of the 6, #6-32 x 1/4", Philips machine screws along the perimeter of the Front Plate. There are 3 screws along the top and 3 along the bottom.

4. Pull out the Speaker Assembly along with the wires from the Backbox. If the Backbox requires replacement remove the 6, #6-32 lock nuts securing it to the TX3 Touch. Place the new Backbox onto the stud bolts and screw the 6, #6-32 lock nuts back onto the stud bolts. Skip to step 11 if there are no further replacements to be made.
5. Remove the 10, #4 x 5/8", Philips metal screws along the perimeter of the Front Grill. There are 5 screws along the top and 5 along the bottom. Remove the Front Grill. If the Front Grill is the last component to be replaced skip to step 10.
6. Remove the 3, #4 x 5/8", Philips metal screws along the centre of the Front Plate. Lift the Front Plate out of the Wood Box and flip it over to access the Stereo Speakers.
7. Remove the 8, #6-32 lock nuts from the stud bolts that keep the Stereo Speakers attached to the Front Plate. Remove the old Stereo Speakers and replace them with the new ones if required. Use the new Front Plate if the old one requires replacement. Replace the 8, #6-32 lock nuts on to the stud bolts and tighten them to secure the Stereo Speakers.
8. Flip over the Front Plate and Stereo Speaker assembly and place it back in the Wood Box. Feed the speaker wires through the holes in the Wood Box that allow the wires to run through channels on the outside. Use the new Wood Box if the old one requires replacement.
9. Secure the Front Plate to the Wood Box by placing 3, #4 x 5/8", Philips metal screws along the centre of the Front Plate.
10. Attach the Front Grill to the Front Plate and secure it using 10, #4 x 5/8", Philips metal screws along the perimeter. Use the new Front Grill if the old one requires replacement.
11. Ensure that the holes in the Wood Box through which the wires are feed are facing up and place the Speaker Assembly into the Backbox. Feed the wires through the holes in the Backbox. Secure the assembly into the Backbox by using 6, #6-32 x 1/4", Philips machine screws.
12. Reattach the two pairs of speaker wires to the Touchscreen Audio Mixer Board. Place the pair of wires from the left speaker into the terminal pair labelled Audio Out L. The striped wire is to be placed in the negative terminal and the plain color wire is to be placed in the positive terminal. Repeat this for the pair of wires from the right speaker, placing them into the terminal pair labelled Audio Out R. Tighten the screws on the terminal blocks to secure the wires in place.
13. Close the front panel cover on the TX3 Touch. Reconnect the power and turn on the unit. Restart the TX3 Touch software and ensure that the speakers function correctly.