



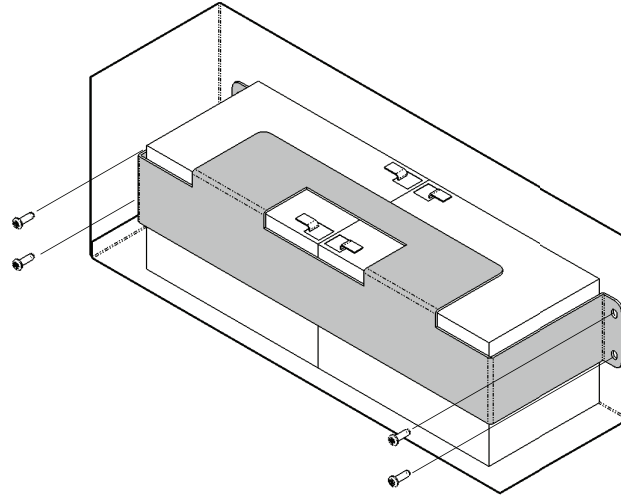
BBK-1024(DS)/BBK-1072/BBK-5014

Battery Bracket Installation Instructions

Installing BBK-1024

This bracket is intended for two 12V, 12AH batteries. The batteries each need to have a width of 6.0" and a depth of 3.9" in order for them to fit within the bracket.

1. Place the 12AH batteries in an empty location at the bottom of the backbox.

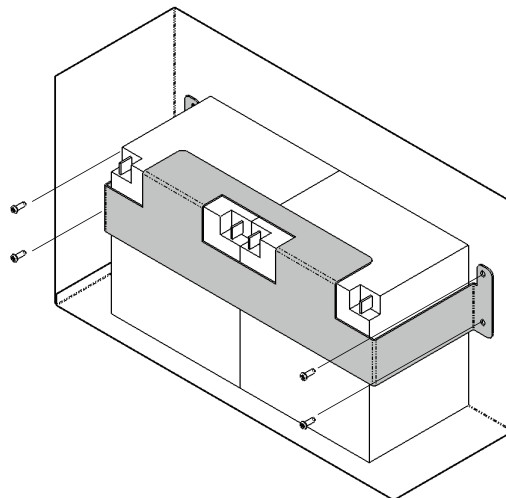


2. Place the bracket over the batteries as shown in the figure above.
3. Use the four provided self drilling screws to secure the bracket to the backbox.

Installing BBK-1072

This bracket is intended for two 12V, 25AH batteries. The batteries each need to have a width of 6.5" and a depth of 5.0" in order for them to fit within the bracket.

1. Place the 25AH batteries in an empty location at the bottom of the backbox.

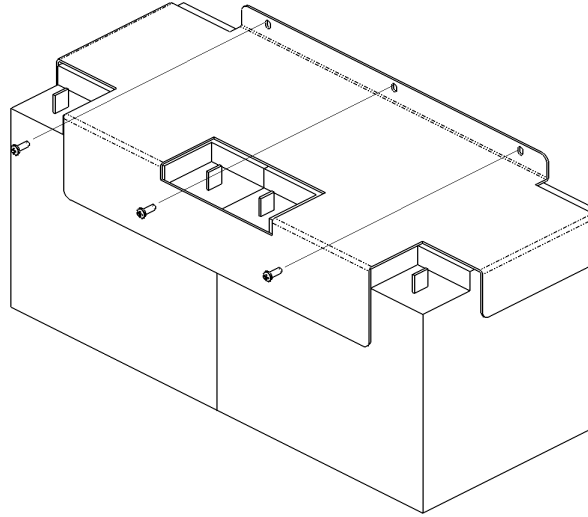


2. Place the bracket over the batteries as shown in the figure above.
3. Use the four provided self drilling screws to secure the bracket to the backbox.

Installing BBK-5014

This bracket is intended for two 12V, 42AH batteries. The batteries each need to have a width of 7.75" and a depth of 6.0" in order for them to fit within the bracket.

1. Place the 42AH batteries in an empty location at the bottom of the backbox.

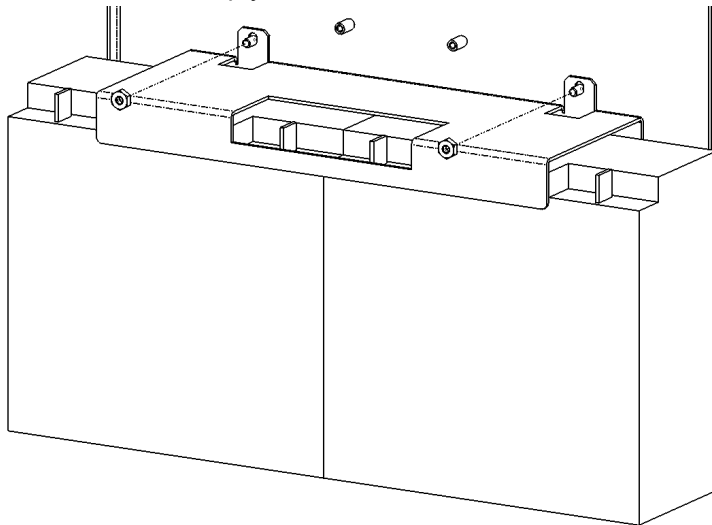


2. Place the bracket over the batteries as shown in the figure above.
3. Use the three provided self drilling screws to secure the bracket to the backbox.

Installing BBK-1024DS

This bracket is intended for two 12V, 18AH batteries. The batteries each need to have a width of 7.00", a height of 6.75" and a depth of 3.00" in order for them to fit within the bracket.

1. Place the 18AH batteries in an empty location at the bottom of the backbox.



2. Place the bracket over the batteries as shown in the figure above.
3. Use the two nuts provided to secure the bracket to the backplate.