

BBX-1024DS and BBX-1024DSR Mechanical Installation

The BBX-1024DS and BBX-1024DSR enclosure are suitable for flush or surface mounting, and have a built-in trim ring.

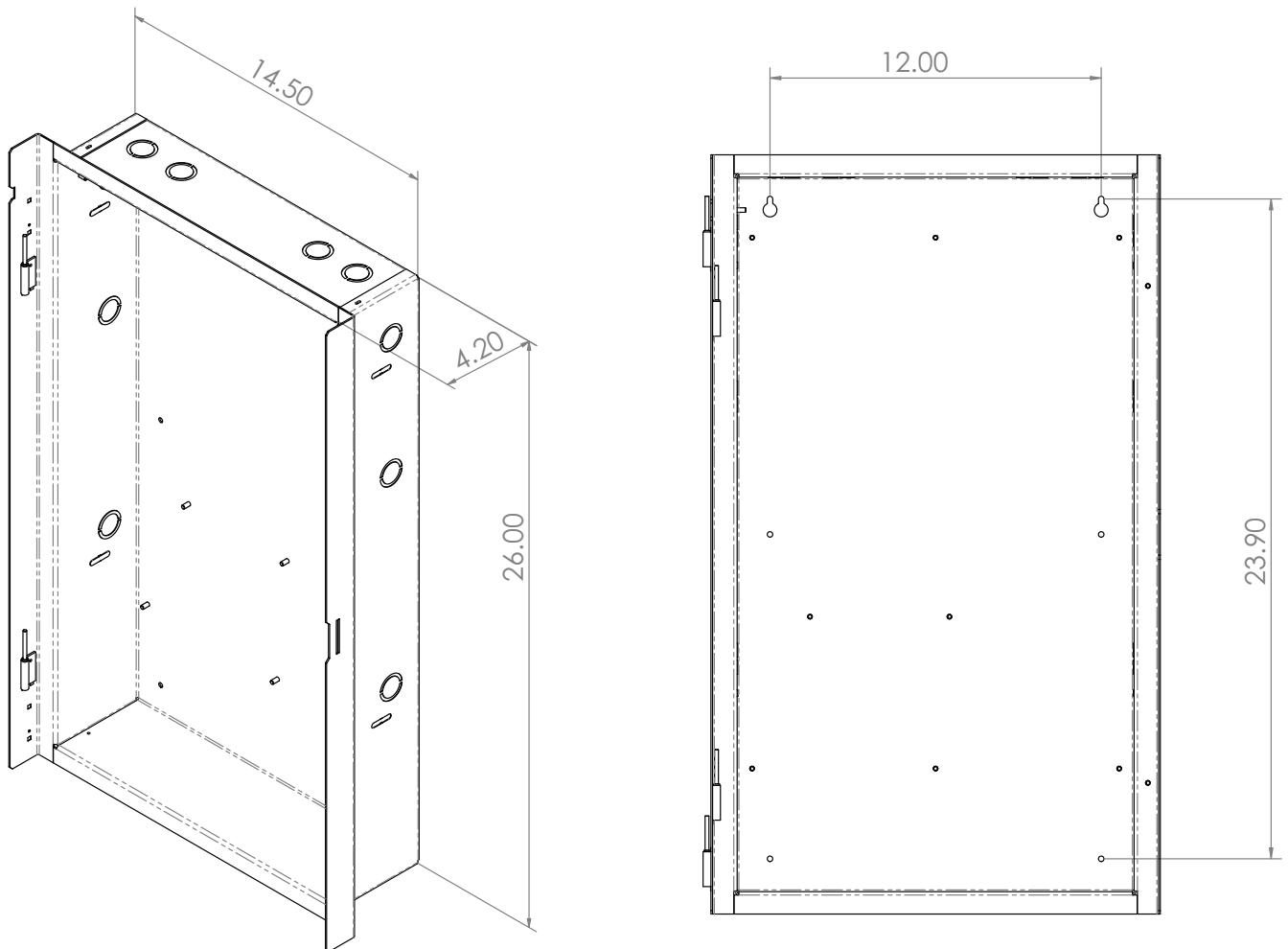


Figure 1 BBX-1024DS and BBX-1024DSR Installation Instructions and Dimensions

BBX-1024DS and BBX-1024DSR Mechanical Installation continued

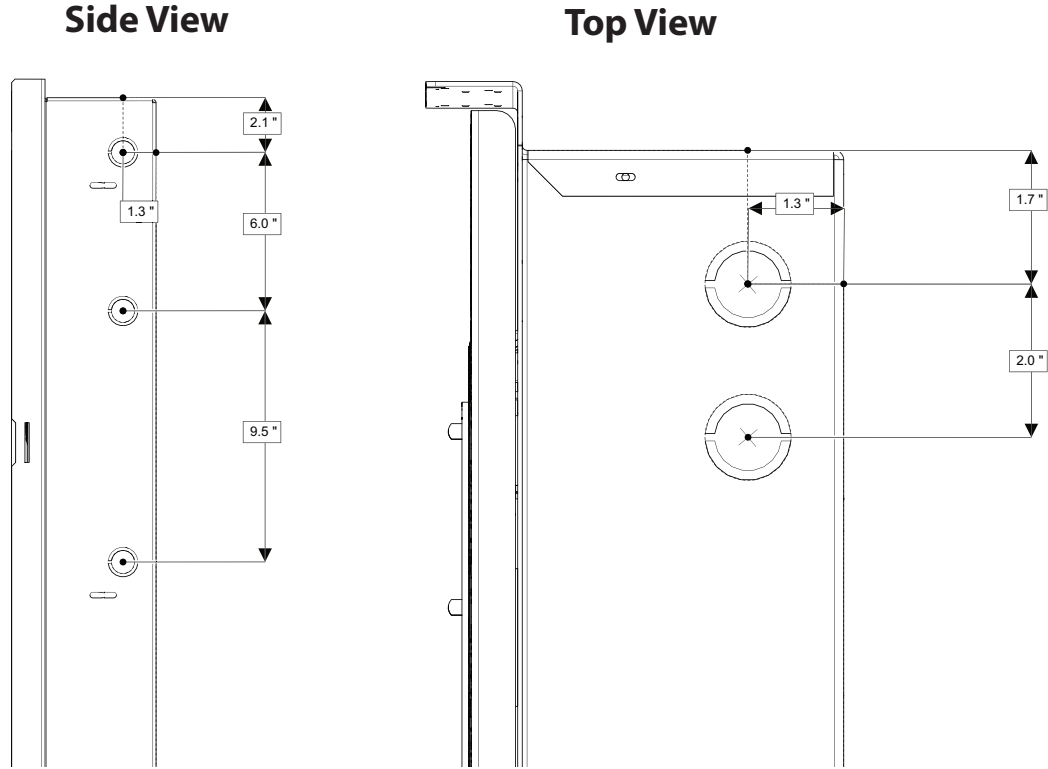


Figure 2 BBX-1024DS and BBX-1024DSR Installation Instructions and Dimensions

Enclosure Dimensions

Dimensions of Enclosure (minus built in trim ring)	14.5" x 4.2" x 26"
Distance between horizontal mounting screws	12"
Distance between vertical mounting screws	23.9"
Complete Dimensions of Enclosures	16.3" x 5.5" x 27.5"

Used with the Following Models:

- FA-300-6DR
- FA-300-6DDR
- FA-301-12DDR
- FA-301-12LDR
- FA-301-8LR
- FA-301-8LDR
- FA-301-8LW
- FA-301-12LR
- FA-301-12LDR
- FA-301-8LDW
- FA-301-12LW
- FA-301-12LDW
- FR-320-W
- FR-320-R
- FX-350-60-DR
- FX-351-LDR
- FX-351-LW
- FX-351-LDW
- FX-353-LDR
- FX-353-LW
- FX-1008KA
- INX-10A
- FX-2003-6DS
- FX-2003-12DS
- FX-2003S-12DS
- FX-2003-12NDS
- TX3-BBCX-4W
(Not UL/ULC listed)