

THIS DOCUMENT, LT-1155, ONLY DESCRIBES MECHANICAL INSTALLATION.

FOR ALL OTHER INFORMATION, REFER TO LT-600 FA-1000 INSTALLATION AND OPERATION MANUAL. FOR INFORMATION RELATED TO WIRING REFER TO LT-600 SECTION 6.0. FOR POWER SUPPLY RATINGS REFER TO LT-600 SECTION 6.7. FOR SPECIFICATIONS REFER TO LT-600 SECTION 13.0.

Mechanical Installation for the FX-1000 Fire Alarm Backbox

The enclosure model is BB-1024XT(R) with dimensions 14.76" wide by 35.8" long by 5.45". Figure 1 below shows backbox and door dimensions as well as the trim ring model FA-XT-TRB which is used for flush mounting of the enclosure. The backbox and trim ring is black and the door is available in red Model BBX-1024XTR and white Model BBX-1024XT. In all other respects, the BBX-1024XT and BBX-1024XTR are the same.

Figure 1: BBX-1024XT(R) Backbox Enclosure with Trim Ring

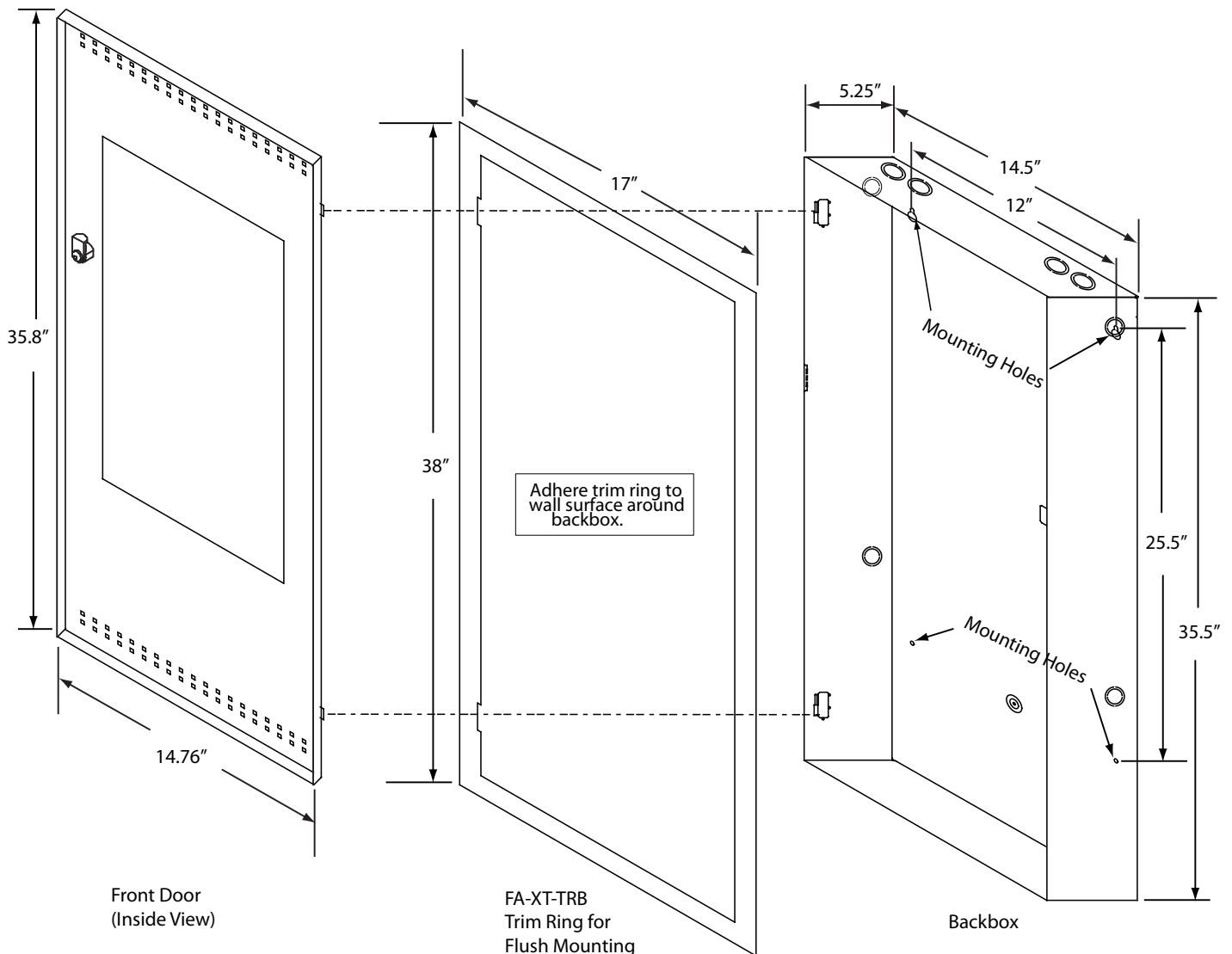


Figure 2: Surface and Flush Mounting Views of the BBX-1024XT

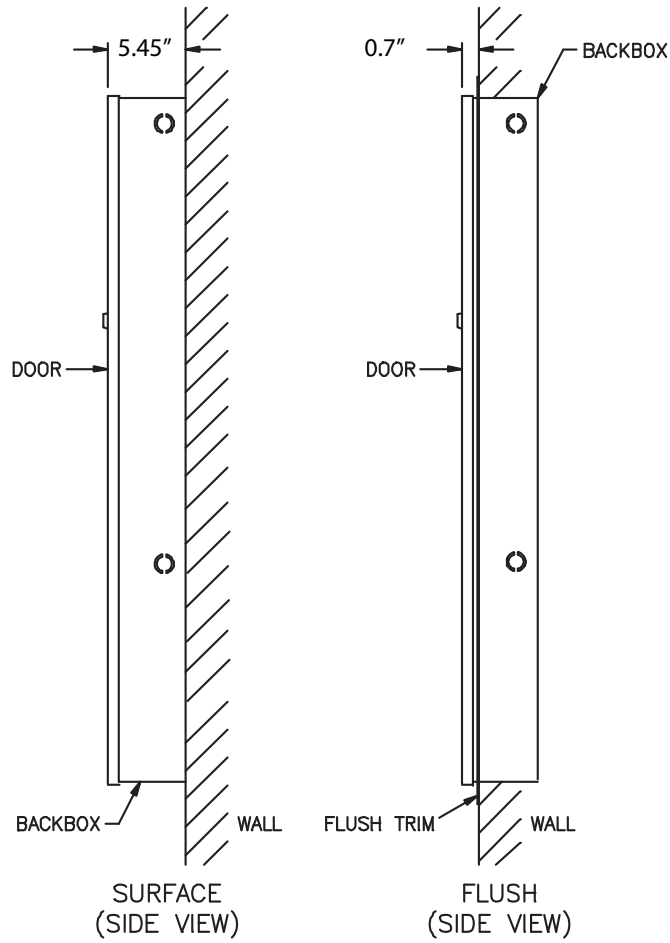
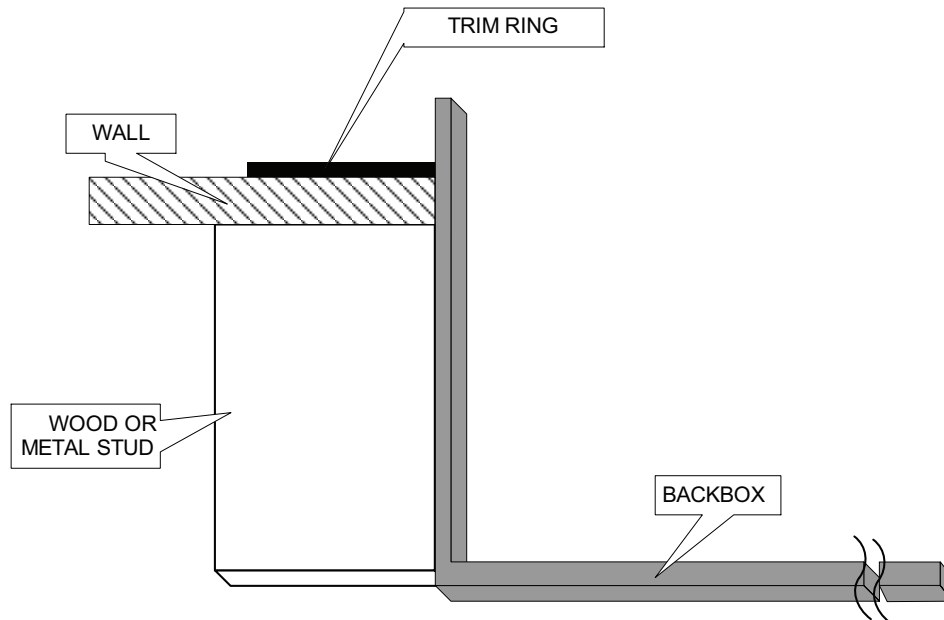


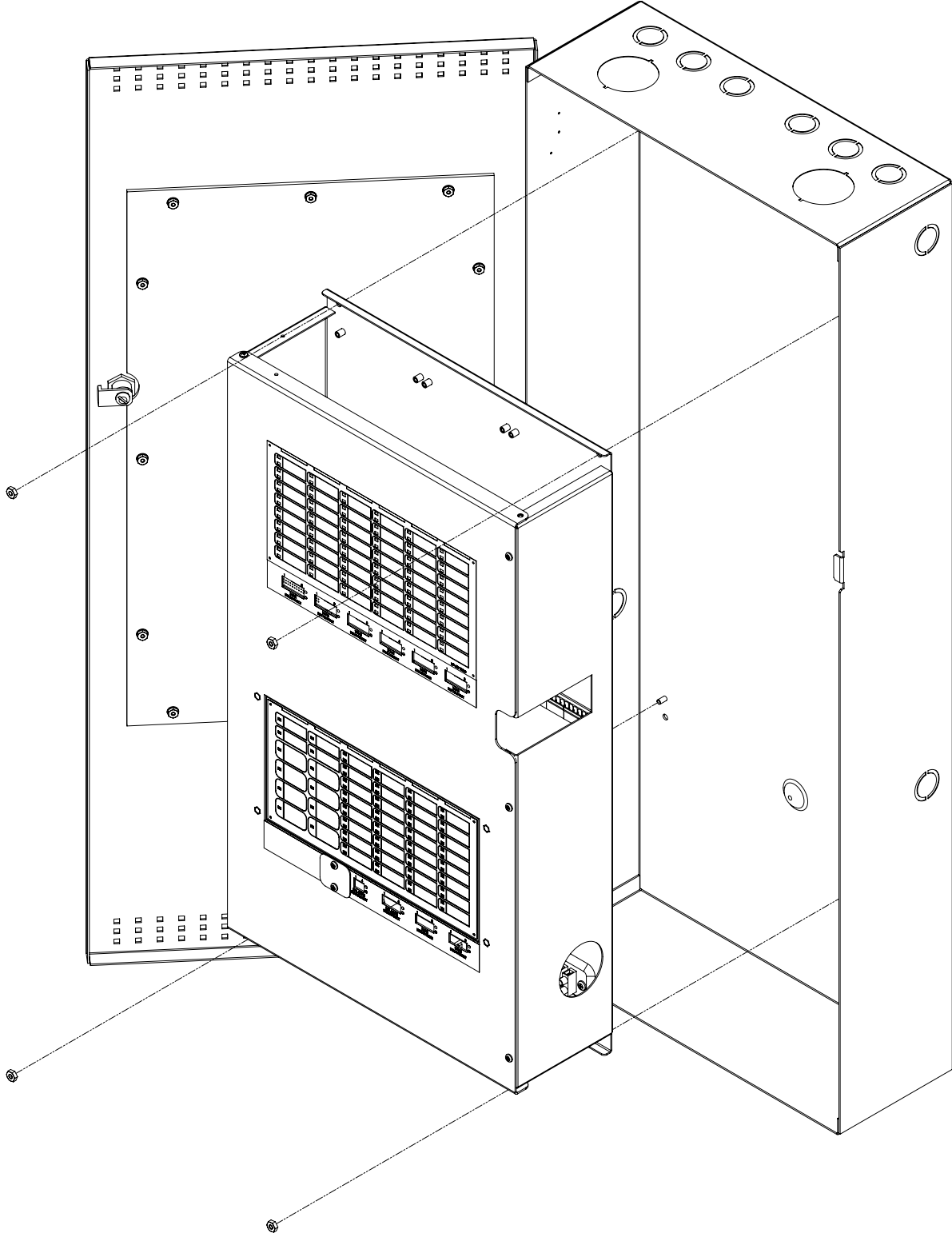
Figure 3: Cross-Section of the BBX-1024XT Flush Mounted Box with FA-XT-TRB Trim Ring



Mounting the Chassis into the BBX-1024XT(R)

Install the chassis into the BBX-1024XT(R) enclosure as shown below in Figure 4. Use four (4) 8-32 nuts to connect the Chassis to the BBX-1024. Connect all green ground wires to the dimple in backbox and secure them using a #8 screw. Ensure that this ground connection leads to an earth ground. Connect the battery cables to the batteries. Refer to LT-600 Section 6.7 Power Supply Connections for more information.

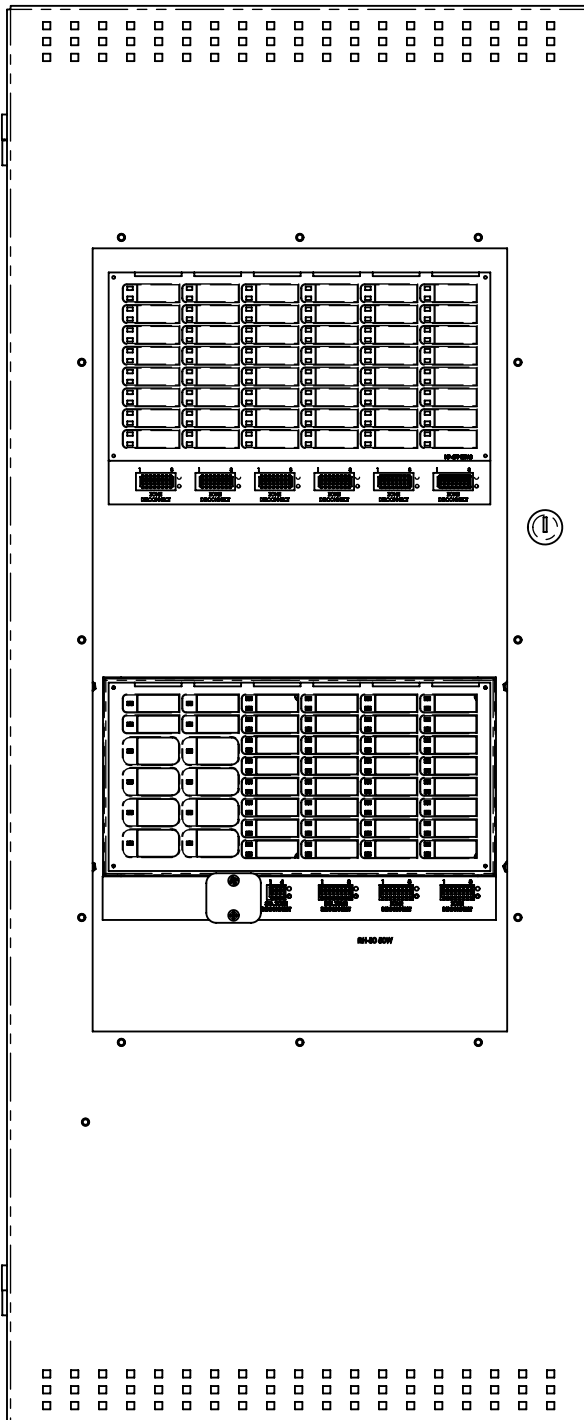
Figure 4: Mounting of MCC-1024-12XTDS into BBX-1024XT(R)



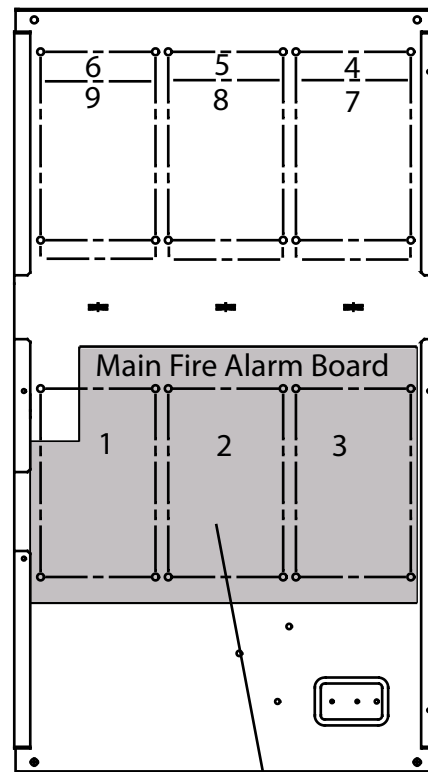
Mounting Adder Boards into the Chassis

Up to 9 adder modules can be mounted in the same manner as explained in the respective LT-600 FA-1000 manual and as shown in Figure 5.

Figure 5: FX-2003-XT in a BB-1024XT Enclosure



Inside Chassis for mounting adder modules. Three modules can be mounted over the main fire alarm board and six above the main fire alarm board stacked three over three.



Three adder modules mounted over main fire alarm board.