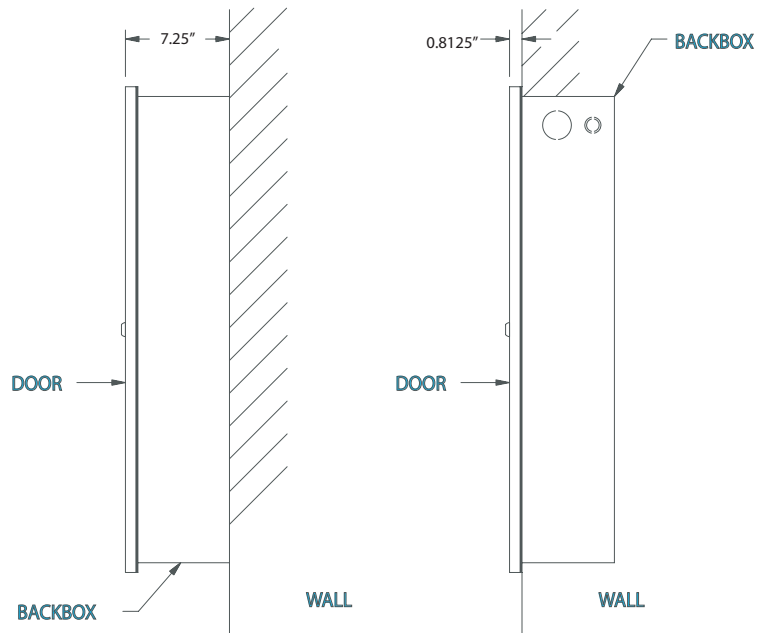


MATERIAL: COLD ROLLED STEEL

16GA (0.059") THICK FOR BACKBOX

14GA (0.075") THICK FOR DOOR

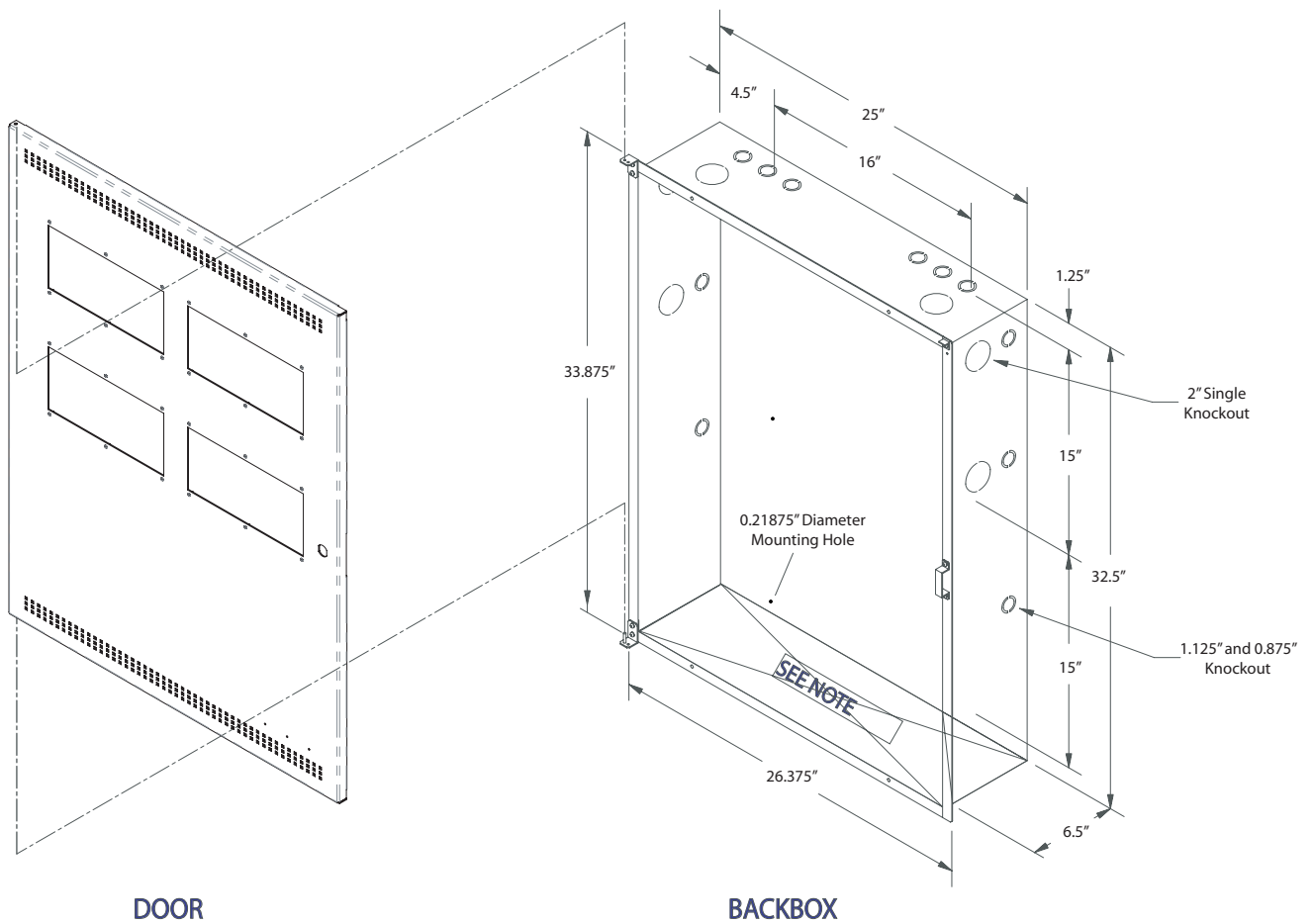
FINISH: PAINTED



**SURFACE
(SIDE VIEW)**

**FLUSH
(SIDE VIEW)**

**NOTE: NO CONDUIT ENTRY
ON THE BOTTOM OF THE ENCLOSURE**



DOOR

BACKBOX

**MODEL BBX-1072ADS ENCLOSURE (SURFACE or FLUSH)
INSTALLATION INSTRUCTION AND DIMENSIONS**