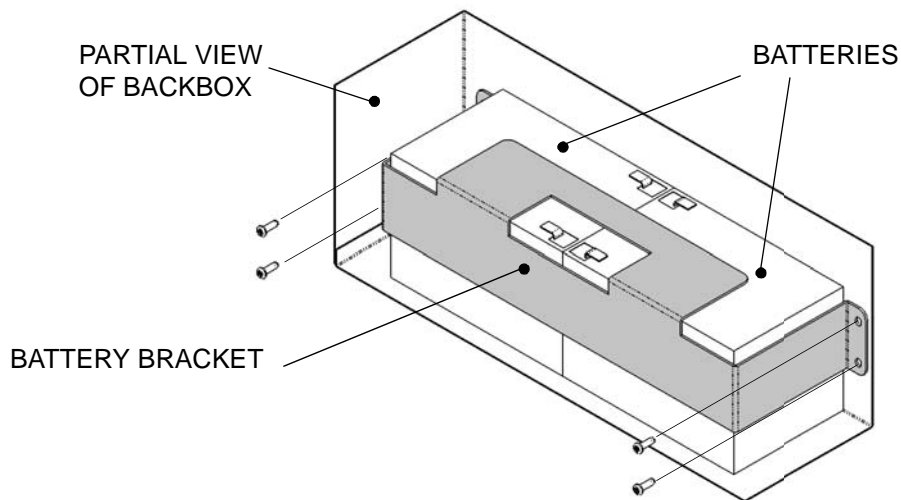


The FA-300-6DDR-CG Fire Alarm Panel is a Coast Guard approved panel kit which include the FA-300-6DDR Fire Alarm Panel with a battery bracket. The battery bracket is used to hold the batteries in place. Refer to section below for instruction on it's installation. All documents pertaining to the FA-300-6DDR apply to the FA-300-6DDR-CG.

Installing the Battery Bracket

This bracket is intended for two 12V, 12AH batteries. The batteries each should not be greater than a width of 6.0" and a depth of 3.9" in order to fit within the bracket.

1. Place the 12AH batteries at the bottom of the backbox under the main board chassis.



Place the bracket over the batteries as shown in the figure above.

Use the four provided self drilling screws to secure the bracket to the backbox.



ATTENTION: Use the same instruction and manuals pertaining to FA-300-6DDR for the FA-300-6DDR-CG.