

In no event shall Mircom be liable for any direct, indirect or consequential damages, loss of anticipated profits, loss of time or any other losses incurred by the buyer in connection with the purchase, installation or operation or failure of this product.

Important!

Mircom recommends that the entire system be completely tested on a regular basis. However, despite frequent testing and due to but not limited to, criminal tampering or electrical disruption, it is possible for this product to fail to perform as expected.

INSTALLATION INSTRUCTIONS



RM-2200-4 Relay Expander for FX-2200 Fire Alarm Control Panel

The RM-2200-4 is a four relay expander, connected via ribbon cable to a FX-2200 Main Board. This module occupies one spot of the three available mounting locations within the FX-2200 cabinet. The RM-2200-4 provides four additional programable function relays.

Parts List

- Qty 1 ... RM-2200-4 module
- Qty 4 ... No. 4 screws
- Qty 1 ... Ribbon Cable (short)

Installing the RM-2200-4

The RM-2200-4 mounts inside the FX-2200 cabinet to the back plate in one of the three expander locations.

1. Position the RM-2200-4 in the upper most empty expander module locations.
2. Secure the relay expander to the back plate with the No. 4 screws and lock washers (provided).
3. Connect the ribbon cable from the panel or previous expansion module to CON1 on the Relay Expander.

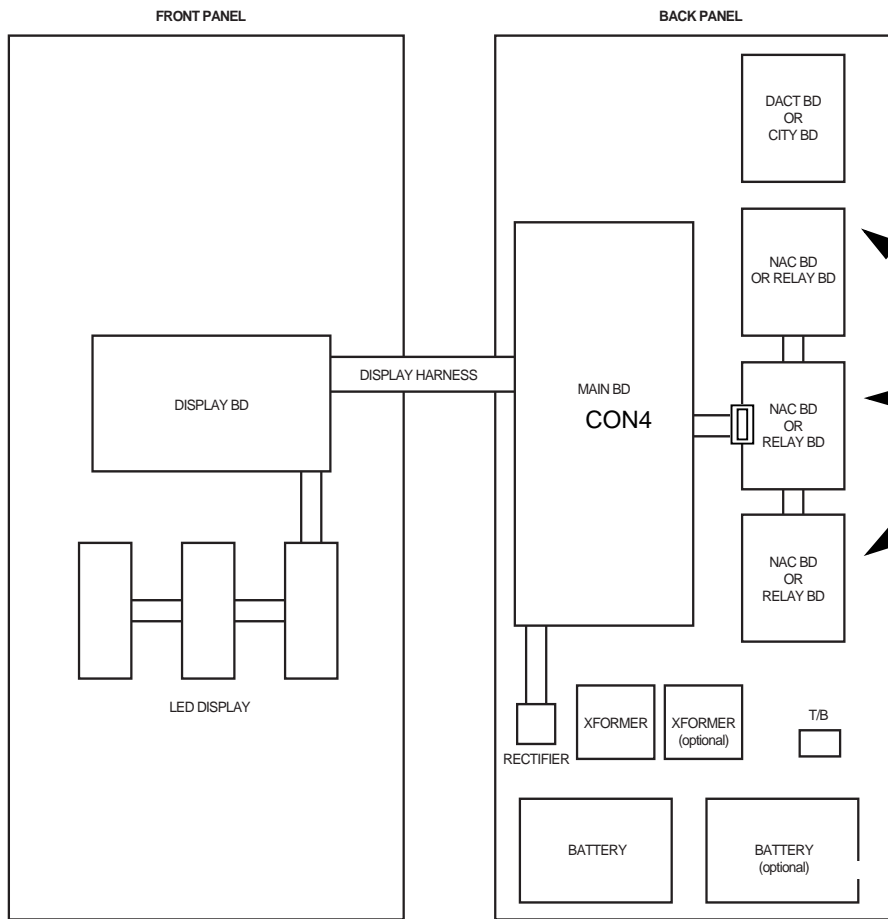
NOTE: This component must be included in the control panel battery calculation. Refer to the Battery Calculation Sheet included with the control panel. Relay Circuits are non-supervised. Relays must be connected to a power limited source that is listed Fire Protective Signaling.



Canada
25 Interchange Way
Vaughan, ON, L4K 5W3
Tel: (905) 660-4655
Fax: (905) 660-4113
www.mircom.com

USA
60 Industrial Parkway PMB 278
Cheektowaga, NY, 14227
Tel: (888) 660-4655
Fax: (888)660-4113

FX-2200 Panel Layout



RM-2200-4 Relay Expander

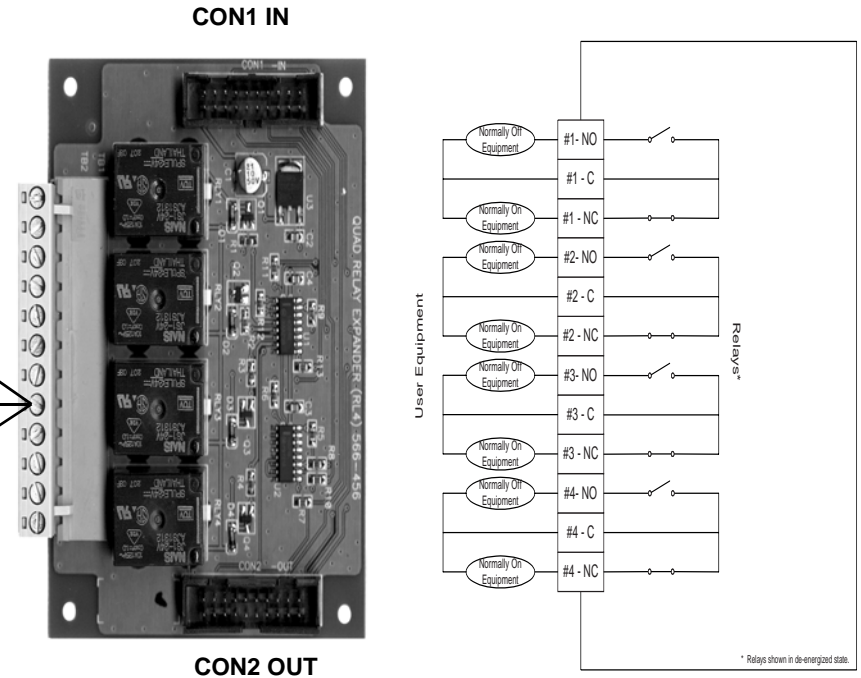


Figure 1. RM-2200-4 Relay Expander Installation