

Mircom's MS-400AP(U) Series Fire Alarm Manual Stations provide manual fire alarm activation. These high quality, die-cast metal stations are available as one stage or two stage stations. On the two stage model, use a key to activate the stage two alarm. Each station has a permanently attached AP addressable module, which has a pair of dials for setting the address.

## Specifications & Dimensions

### Compatible with Mircom Fire Alarm Control Panels

#### Electrical Rating:

MS-402AP	MS-401AP(U), MS-407AP(U)
Nominal Operating Voltage: 15-32 VDC	Nominal Operating Voltage: 15-32 VDC
Maximum alarm current @ 24V: 5.4 mA	Maximum alarm current @ 24V: 600 µA
Average operating current @ 24V: 600 µA	Average operating current @ 24V: 400 µA

#### Dimensions:

MS-401AP(U) 4.55" H x 3.3" W x 2" D  
MS-402AP, MS-407AP(U): 4.55" H x 3.3" W x 2.1" D

#### Notes

- Wire as shown so that supervision of connections is maintained.
- Maximum wire size: 12 AWG
- All manual fire alarm stations shall be installed as per the specific requirements outlined in the UL/ULC codes, as well as all other applicable national or local codes. Final acceptance is subject to the local authority having jurisdiction.

**Note:** The wires must be on opposite sides of the set screw. Refer to Figure 2 for the location of the wires.

3. Tighten the (-) terminal.
4. Connect the red (+) wire from the previous station to the terminal that is connected to the red (+) wire from the addressable module.
5. Connect the red (+) wire leading to the next station to the other side of the terminal that is connected to the red (+) wire from the addressable module.

**Note:** The wires must be on opposite sides of the set screw. Refer to Figure 2 for the location of the wires.

6. Tighten the (+) terminal.

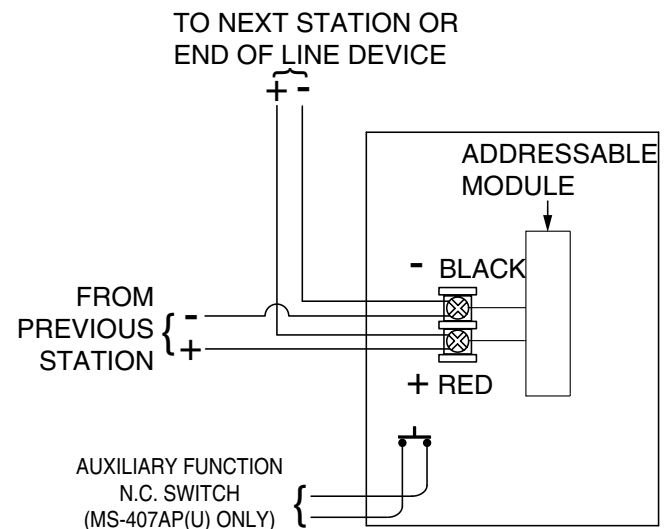


Figure 1: Wiring Diagram

## Installing the manual station

### This guide covers these models:

MS-401AP(U) Intelligent Single Stage Manual Station AP  
MS-402AP Intelligent Two Stage Manual Station AP  
MS-407AP(U) Intelligent Single Stage Manual Station AP with additional N.C. switch  
The suffix **U** indicates a USA version.

### Contents of kit

- MS-401AP(U), MS-407AP(U): 2 mounting screws, 1 glass rod (sold separately)
- MS-402AP: 2 mounting screws, 2 stage two keys, 1 glass rod (sold separately)

### A. Wiring

**Note:** The maximum wire size is 12 AWG.

1. Connect the black (-) wire from the previous station to the terminal that is connected to the black (-) wire from the addressable module.
2. Connect the black (-) wire leading the next station to the other side of the terminal that is connected to the black (-) wire from the addressable module.

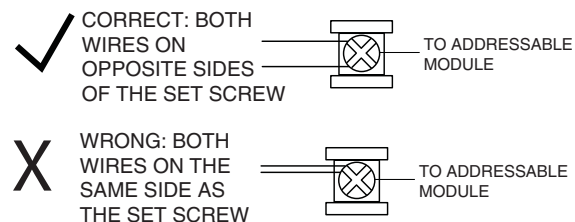


Figure 2: Close-up of terminals showing correct wiring

Canada  
25 Interchange Way  
Vaughan, ON L4K 5W3  
Tel: (888) 660-4655  
Fax: (888) 660-4113

U.S.A.  
4575 Witmer Industrial Estates  
Niagara Falls, NY 14305  
Tel: (888) 660-4655

### B. Setting the addressable module

**Note:** MS-402AP: Pull the module out of the bracket to set the address.

The AP addressable module allows for an address range of 1 to 159. The TENS dial goes to 15 (unlike the CLIP module, where the TENS dial goes to 9).

**Note:** The module is set to 1 by default. For proper operation, you must change this to a different address.

The following table shows how to set the dials for some example addresses.

To set this address	TENS dial	ONES dial
2	0	2
21	2	1
135	13	5
150	15	0

If the dials are set to a number higher than 99, and the panel supports only CLIP, then the panel will see the device as an unrecognized device at address 0.

The **MS-401AP(U)** and **MS-407AP(U)** count as one address, which is set by the dials on the addressable module.

The **MS-402AP** counts as two addresses. The first address represents the PULL handle, and is set by the dials on the addressable module. The second address is one number higher than the dial setting and represents the switch activated by the stage two key.

For example, if you set the dials on the MS-402AP to the address M, then M represents the PULL handle, and M+1 represents the stage two key switch.

**Note:** Because the MS-402AP counts as two addresses, always set the dial address at least 1 below the maximum value. If the panel supports only CLIP, set the address no higher than 98, and if the panel supports AP, set the address no higher than 158.

### C. Mounting

1. Pull down the handle so that the station is open.
2. Mount the station to a surface mounted box with the 2 included screws. Refer to Figure 3.
3. Close the station. Follow the instructions under **Resetting the manual station** on this page.

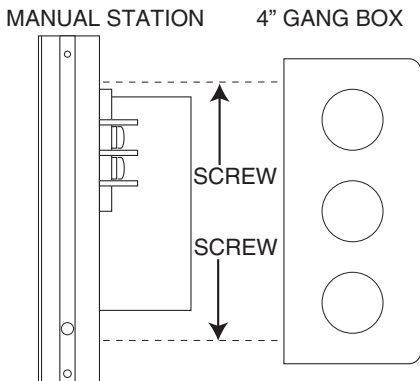


Figure 3: Mounting the manual station

## Using the manual station in case of fire

### Activating the alarm

- Pull down the handle.

The handle is now hanging down. A qualified person must reset the station. See **Resetting the manual station** below.

### Activating the stage two alarm (MS-402AP only)

1. Insert the stage two key into the keyhole inside the station, and then turn the key. This keyhole is accessible only after the alarm has been pulled.

The stage two alarm activates.

**Note:** The stage two alarm will activate automatically a certain amount of time after the handle has been pulled. This time is set in the Fire Alarm Control Panel. You can prevent the stage two alarm from activating automatically by using the **Automatic Alarm Signal Timer Cancel** feature on the Fire Alarm Control Panel. Refer to the Fire Alarm Control Panel manual for instructions.

### Resetting the manual station

**Note:** Resetting the station does not reset the alarm.

1. Insert a small flathead screwdriver into the hole in the front of the handle. Make sure that the end of the screwdriver is resting on top of the latch inside the station. The screwdriver must push down this latch order for the handle to close.
2. Close the handle and at the same time, move the handle of the screwdriver up. See Figure 4.

As you close the handle, the screwdriver acts as a lever to push the latch down, allowing the handle to close.

You will hear a click when the handle is closed and the station is reset.

3. Insert the glass rod (break glass) into the hole on the right side. See Figure 4.
4. Reset the Fire Alarm Control Panel to reset the alarm.

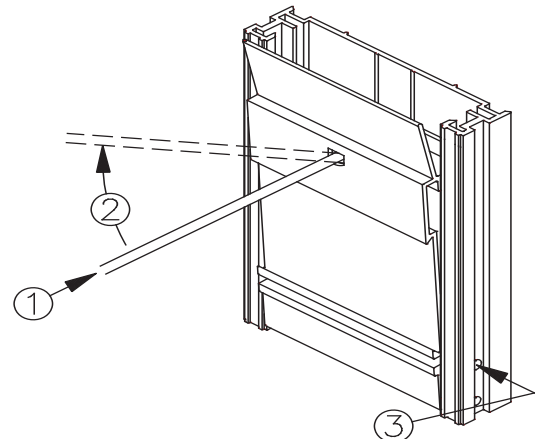


Figure 4: Resetting the manual station