



INSTALLATION INSTRUCTIONS

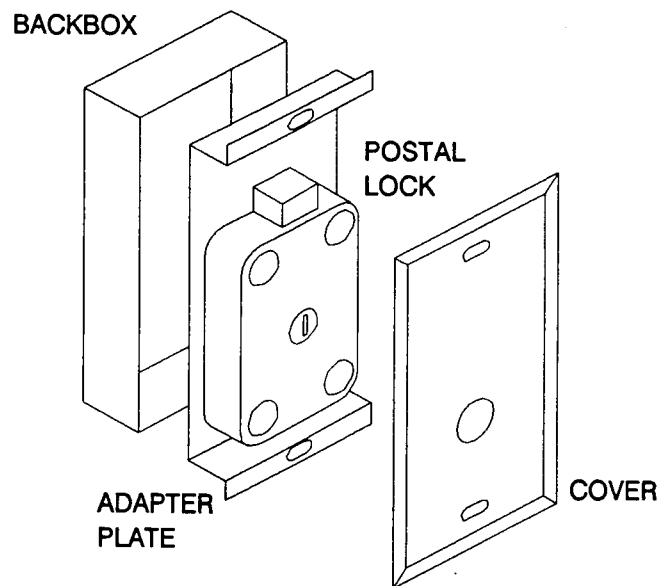
DO-CR2 POST OFFICE LOCK ADAPTER

OPERATION

Permits the postman to use his key to enter the building (when used with Post Office supplied lock).

INSTALLATION

- (1) Install plaster ring flush with the finished wall within arms reach of the entrance doors (if intercom has delayed door action, the distance may be greater).
- (2) Run 2 wire cable (#22) from DO-CR2 adapter to intercom control unit. Connect wires to screw terminals of DO-CR2. See intercom installation instructions for connections to control unit.
- (3) Install the Post Office supplied lock on to the studs, using the nuts provided. The tongue of the lock must engage the switch operating lever.
- (4) Install the switch chassis and panel into the plaster ring using the screws provided.



NOTE: Do not connect to Intercom System until Post Office supplied lock is installed.

January 1990