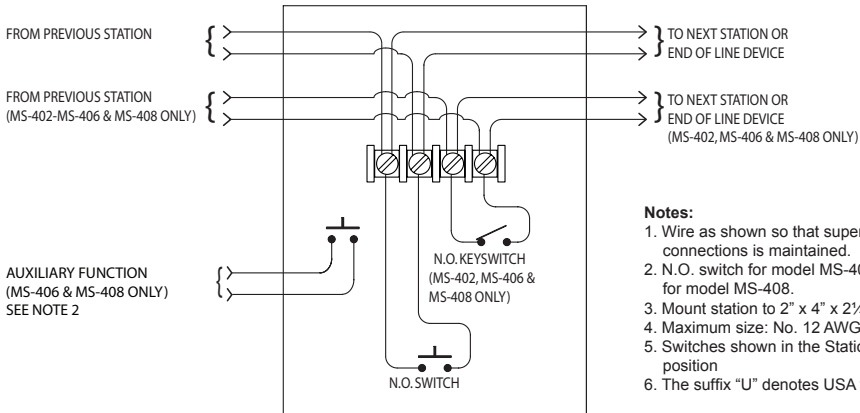


Mircom's MS-400 Series Manual Stations provide manual fire reporting. These high quality, die-cast metal stations are available in either single or dual action configurations with SPST contacts and terminal strip connections. The contacts are gold plated to avoid the risk of corrosion. The MS-400 Series Manual Stations are available in many different configurations as either single or dual-action devices.

MS-401, MS-401SU, MS-402, MS-406, MS-408 Wiring



Notes:

1. Wire as shown so that supervision of connections is maintained.
2. N.O. switch for model MS-406, N.C. switch for model MS-408.
3. Mount station to 2" x 4" x 2 1/4" outlet box.
4. Maximum size: No. 12 AWG.
5. Switches shown in the Station Closed position
6. The suffix "U" denotes USA version.

Specifications

Switch Rating: 1 Amp @ 30 VDC
0.1 Amp @ 120VAC
Manual Station: 4 1/2"H x 3 5/16"W x 2"D

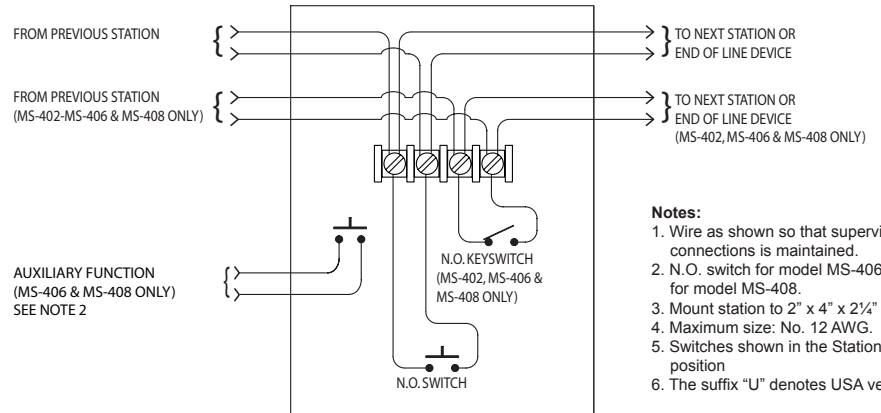
Models

- MS-401(U):** Single Stage Manual Station
- MS-401SU:** Single Stage Manual Station Spanish Version
- MS-402(U):** Dual Stage Manual Station
- MS-406(U):** Dual Stage Manual Station with Additional N.O. Switch
- MS-408(U):** Dual Stage Manual Station with Additional N.C. Switch

All manual fire alarm stations shall be installed as per the specific requirements outlined in the UL codes, as well as all other applicable national or local codes. Final acceptance is subject to the local authority having jurisdiction.

Mircom's MS-400 Series Manual Stations provide manual fire reporting. These high quality, die-cast metal stations are available in either single or dual action configurations with SPST contacts and terminal strip connections. The contacts are gold plated to avoid the risk of corrosion. The MS-400 Series Manual Stations are available in many different configurations as either single or dual-action devices.

MS-401, MS-401SU, MS-402, MS-406, MS-408 Wiring



Notes:

1. Wire as shown so that supervision of connections is maintained.
2. N.O. switch for model MS-406, N.C. switch for model MS-408.
3. Mount station to 2" x 4" x 2 1/4" outlet box.
4. Maximum size: No. 12 AWG.
5. Switches shown in the Station Closed position
6. The suffix "U" denotes USA version.

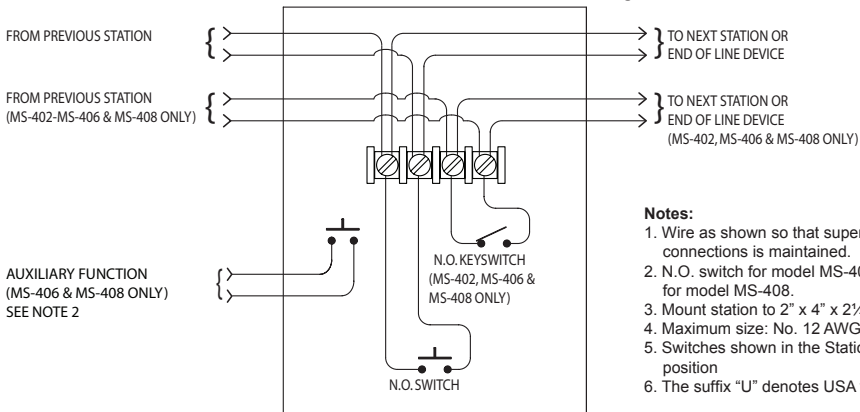
Models

- MS-401(U):** Single Stage Manual Station
- MS-401SU:** Single Stage Manual Station Spanish Version
- MS-402(U):** Dual Stage Manual Station
- MS-406(U):** Dual Stage Manual Station with Additional N.O. Switch
- MS-408(U):** Dual Stage Manual Station with Additional N.C. Switch

All manual fire alarm stations shall be installed as per the specific requirements outlined in the UL codes, as well as all other applicable national or local codes. Final acceptance is subject to the local authority having jurisdiction.

Mircom's MS-400 Series Manual Stations provide manual fire reporting. These high quality, die-cast metal stations are available in either single or dual action configurations with SPST contacts and terminal strip connections. The contacts are gold plated to avoid the risk of corrosion. The MS-400 Series Manual Stations are available in many different configurations as either single or dual-action devices.

MS-401, MS-401SU, MS-402, MS-406, MS-408 Wiring



Notes:

1. Wire as shown so that supervision of connections is maintained.
2. N.O. switch for model MS-406, N.C. switch for model MS-408.
3. Mount station to 2" x 4" x 2 1/4" outlet box.
4. Maximum size: No. 12 AWG.
5. Switches shown in the Station Closed position
6. The suffix "U" denotes USA version.

Specifications

Switch Rating: 1 Amp @ 30 VDC
0.1 Amp @ 120VAC
Manual Station: 4 1/2"H x 3 5/16"W x 2"D

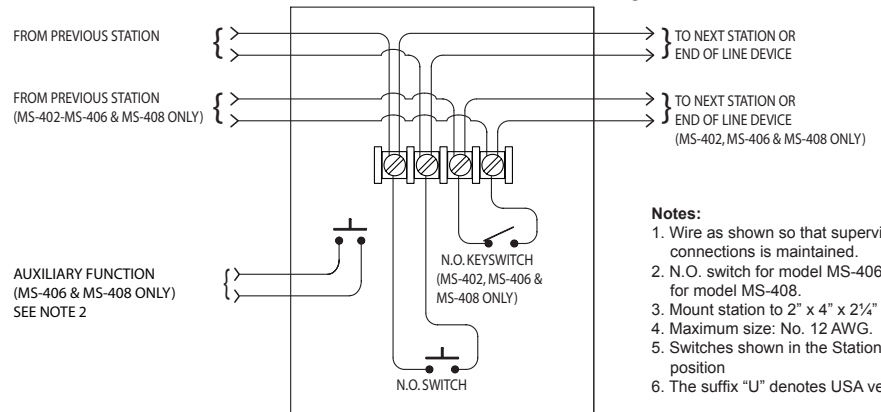
Models

- MS-401(U):** Single Stage Manual Station
- MS-401SU:** Single Stage Manual Station Spanish Version
- MS-402(U):** Dual Stage Manual Station
- MS-406(U):** Dual Stage Manual Station with Additional N.O. Switch
- MS-408(U):** Dual Stage Manual Station with Additional N.C. Switch

All manual fire alarm stations shall be installed as per the specific requirements outlined in the UL codes, as well as all other applicable national or local codes. Final acceptance is subject to the local authority having jurisdiction.

Mircom's MS-400 Series Manual Stations provide manual fire reporting. These high quality, die-cast metal stations are available in either single or dual action configurations with SPST contacts and terminal strip connections. The contacts are gold plated to avoid the risk of corrosion. The MS-400 Series Manual Stations are available in many different configurations as either single or dual-action devices.

MS-401, MS-401SU, MS-402, MS-406, MS-408 Wiring



Notes:

1. Wire as shown so that supervision of connections is maintained.
2. N.O. switch for model MS-406, N.C. switch for model MS-408.
3. Mount station to 2" x 4" x 2 1/4" outlet box.
4. Maximum size: No. 12 AWG.
5. Switches shown in the Station Closed position
6. The suffix "U" denotes USA version.

Models

- MS-401(U):** Single Stage Manual Station
- MS-401SU:** Single Stage Manual Station Spanish Version
- MS-402(U):** Dual Stage Manual Station
- MS-406(U):** Dual Stage Manual Station with Additional N.O. Switch
- MS-408(U):** Dual Stage Manual Station with Additional N.C. Switch

All manual fire alarm stations shall be installed as per the specific requirements outlined in the UL codes, as well as all other applicable national or local codes. Final acceptance is subject to the local authority having jurisdiction.