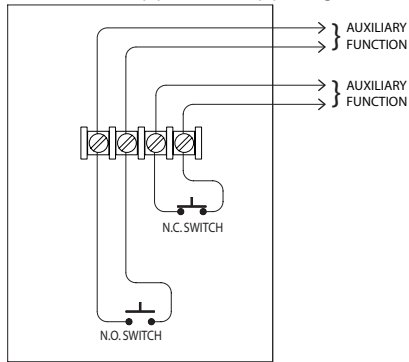


Mircom's MS-403 & MS-404 Emergency Manual Stations provide manual emergency reporting. The MS-403 and MS-404 Emergency Manual Stations are non-coded, single action devices which initiate both a N.O. and N.C. contact when pulled. Operating instructions shall be in English and French lettering and the unit shall be constructed of extruded aluminium and finished in bright enamel paint to provide quick identification.

MS-403(U) and MS-404(U) Wiring



- Notes:**
1. Wire as shown so that supervision of connections is maintained.
  2. Mount station to 2" x 4" x 2 1/4" outlet box.
  3. Maximum size: No. 12 AWG.
  4. Switches shown in the Station Closed position
  5. The suffix "U" denotes USA version.

### Models

- MS-403(U): Single Action Blue Manual Station
- MS-404(U): Single Action Yellow Manual Station

### Specifications

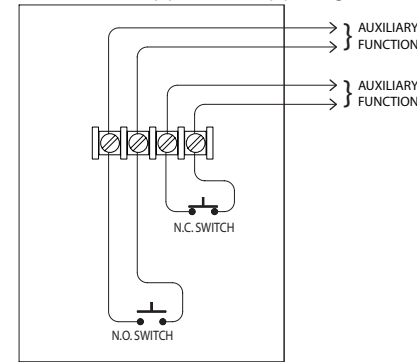
- Switch Rating:** 1 Amp @ 30 VDC  
0.1 Amp @ 120VAC
- Surface-Mount Backbox:** 2" x 4" x 2 1/4"

All manual fire alarm stations shall be installed as per the specific requirements outlined in the UL codes, as well as all other applicable national or local codes. Final acceptance is subject to the local authority having jurisdiction.

LT-485 Rev.4

Mircom's MS-403 & MS-404 Emergency Manual Stations provide manual emergency reporting. The MS-403 and MS-404 Emergency Manual Stations are non-coded, single action devices which initiate both a N.O. and N.C. contact when pulled. Operating instructions shall be in English and French lettering and the unit shall be constructed of extruded aluminium and finished in bright enamel paint to provide quick identification.

MS-403(U) and MS-404(U) Wiring



- Notes:**
1. Wire as shown so that supervision of connections is maintained.
  2. Mount station to 2" x 4" x 2 1/4" outlet box.
  3. Maximum size: No. 12 AWG.
  4. Switches shown in the Station Closed position
  5. The suffix "U" denotes USA version.

### Models

- MS-403(U): Single Action Blue Manual Station
- MS-404(U): Single Action Yellow Manual Station

### Specifications

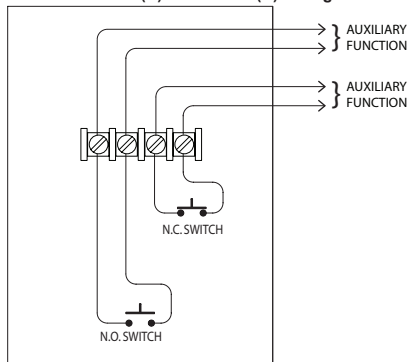
- Switch Rating:** 1 Amp @ 30 VDC  
0.1 Amp @ 120VAC
- Surface-Mount Backbox:** 2" x 4" x 2 1/4"

All manual fire alarm stations shall be installed as per the specific requirements outlined in the UL codes, as well as all other applicable national or local codes. Final acceptance is subject to the local authority having jurisdiction.

LT-485 Rev.4

Mircom's MS-403 & MS-404 Emergency Manual Stations provide manual emergency reporting. The MS-403 and MS-404 Emergency Manual Stations are non-coded, single action devices which initiate both a N.O. and N.C. contact when pulled. Operating instructions shall be in English and French lettering and the unit shall be constructed of extruded aluminium and finished in bright enamel paint to provide quick identification.

MS-403(U) and MS-404(U) Wiring



- Notes:**
1. Wire as shown so that supervision of connections is maintained.
  2. Mount station to 2" x 4" x 2 1/4" outlet box.
  3. Maximum size: No. 12 AWG.
  4. Switches shown in the Station Closed position
  5. The suffix "U" denotes USA version.

### Models

- MS-403(U): Single Action Blue Manual Station
- MS-404(U): Single Action Yellow Manual Station

### Specifications

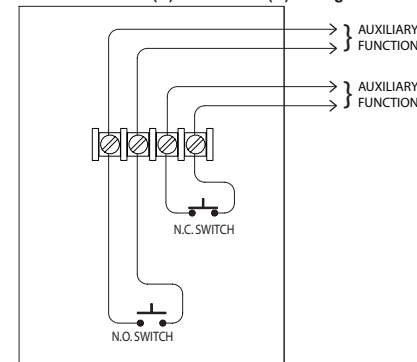
- Switch Rating:** 1 Amp @ 30 VDC  
0.1 Amp @ 120VAC
- Surface-Mount Backbox:** 2" x 4" x 2 1/4"

All manual fire alarm stations shall be installed as per the specific requirements outlined in the UL codes, as well as all other applicable national or local codes. Final acceptance is subject to the local authority having jurisdiction.

LT-485 Rev.4

Mircom's MS-403 & MS-404 Emergency Manual Stations provide manual emergency reporting. The MS-403 and MS-404 Emergency Manual Stations are non-coded, single action devices which initiate both a N.O. and N.C. contact when pulled. Operating instructions shall be in English and French lettering and the unit shall be constructed of extruded aluminium and finished in bright enamel paint to provide quick identification.

MS-403(U) and MS-404(U) Wiring



- Notes:**
1. Wire as shown so that supervision of connections is maintained.
  2. Mount station to 2" x 4" x 2 1/4" outlet box.
  3. Maximum size: No. 12 AWG.
  4. Switches shown in the Station Closed position
  5. The suffix "U" denotes USA version.

### Models

- MS-403(U): Single Action Blue Manual Station
- MS-404(U): Single Action Yellow Manual Station

### Specifications

- Switch Rating:** 1 Amp @ 30 VDC  
0.1 Amp @ 120VAC
- Surface-Mount Backbox:** 2" x 4" x 2 1/4"

All manual fire alarm stations shall be installed as per the specific requirements outlined in the UL codes, as well as all other applicable national or local codes. Final acceptance is subject to the local authority having jurisdiction.

LT-485 Rev.4