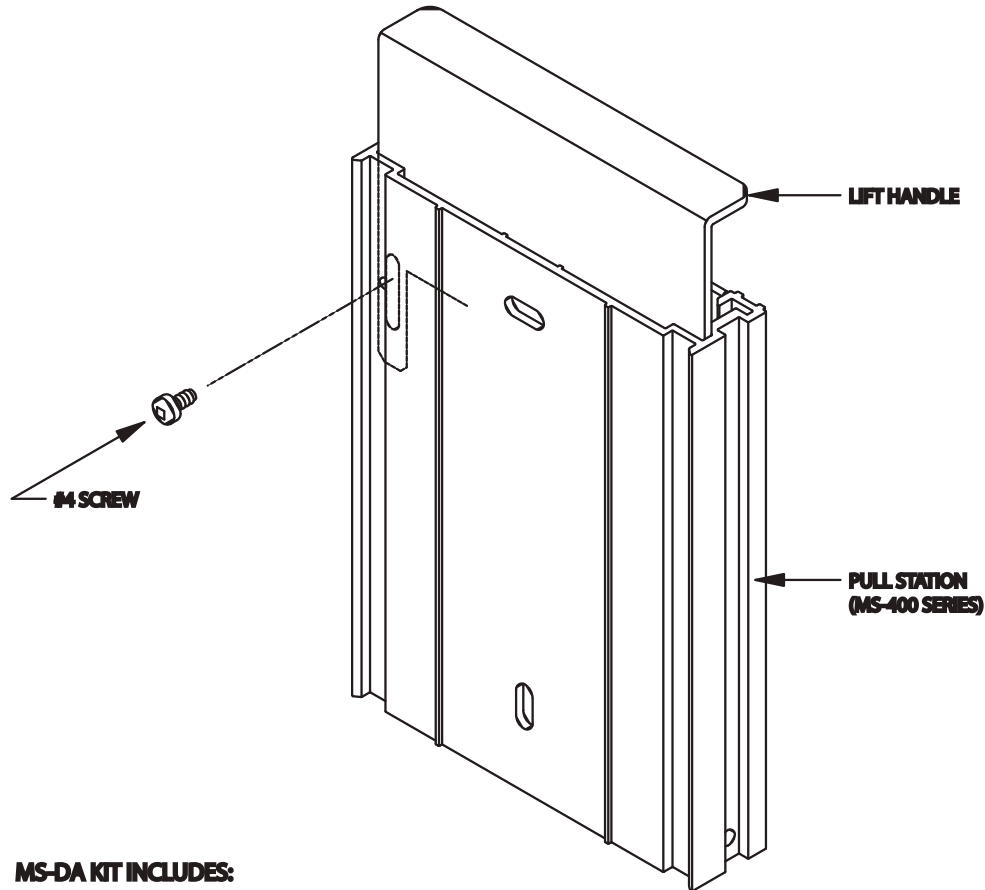


MS-DA Installation Sheet

Mircom's MS-DA Double Action lever kit is used in conjunction with the MS-400(U) Series of Manual Stations. It converts those listed below from a single action to a double action station.

All manual fire alarm stations shall be installed as per the specific requirements outlined in the UL codes, as well as all other applicable national or local codes. Final acceptance is subject to the local authority having jurisdiction.



MS-DA KIT INCLUDES:

- 1 - #4 x 1 1/4" LONG PAN/SQ. 'B' SCREW
- 1 - LIFT HANDLE

Models

MS-401(U):	Single Stage Manual Station
MS-401SU:	Single Stage Manual Station Spanish Version
MS-402(U):	Dual Stage Manual Station
MS-403(U):	Single Action, Blue Manual Station
MS-404(U):	Single Action, Yellow Manual Station
MS-406(U):	Dual Stage Manual Station with Additional N.O. Switch
MS-408(U):	Dual Stage Manual Station with Additional N.C. Switch

Notes:

- The suffix "U" denotes USA version.

Canada
25 Interchange Way
Vaughan, ON L4K 5W3
Tel: (888) 660-4655
(905) 660-4655
Fax: (905) 660-4113

U.S.A
60 Industrial Parkway, PMB 278
Cheektowaga, New York 14227
Tel: (888) 660-4655
(905) 660-4655
Fax: (905) 660-4113


MIRCOM[®]
Advanced Life Safety Solutionssm
www.mircom.com