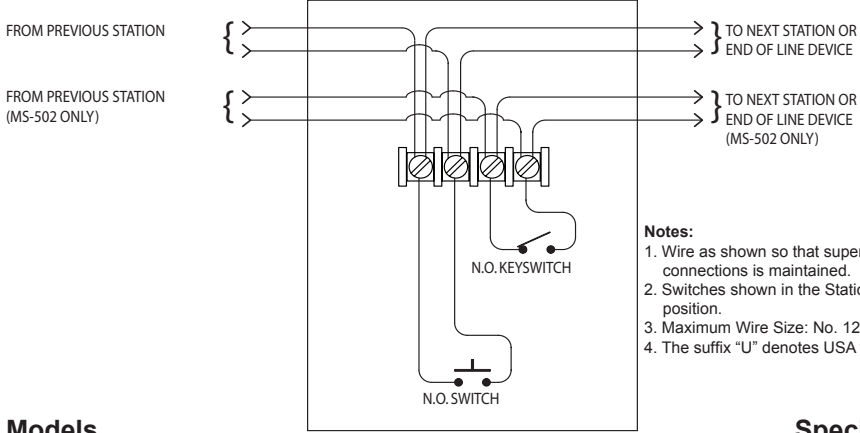


Mircom's MS-500 Series Pull Stations provide manual fire reporting. The MS-500 Series Pull Stations are non-coded, single or double action devices which initiate an alarm when pulled. The MS-502 (two stage) is similar to the MS-501 (single stage) except for an additional General Alarm (G.A.) N.O. switch. For safety reasons, the G.A. switch is only accessible after the handle has been pulled. A special key is supplied with each unit. All pull stations can be easily converted from a single action to double action by the addition of the MS-DA double action lever.

**MS-501(U) and MS-502(U) Wiring**



- Notes:**
1. Wire as shown so that supervision of connections is maintained.
  2. Switches shown in the Station Closed position.
  3. Maximum Wire Size: No. 12 AWG.
  4. The suffix "U" denotes USA version.

## Models

- MS-501(U):** Single Stage Key Resettable Manual Station
- MS-502(U):** Two Stage Key Resettable Manual Station
- MS-DA:** Double Action Lever Kit  
(converts any of the above to double action stations)

All manual fire alarm stations shall be installed as per the specific requirements outlined in the UL codes, as well as all other applicable national or local codes. Final acceptance is subject to the local authority having jurisdiction.

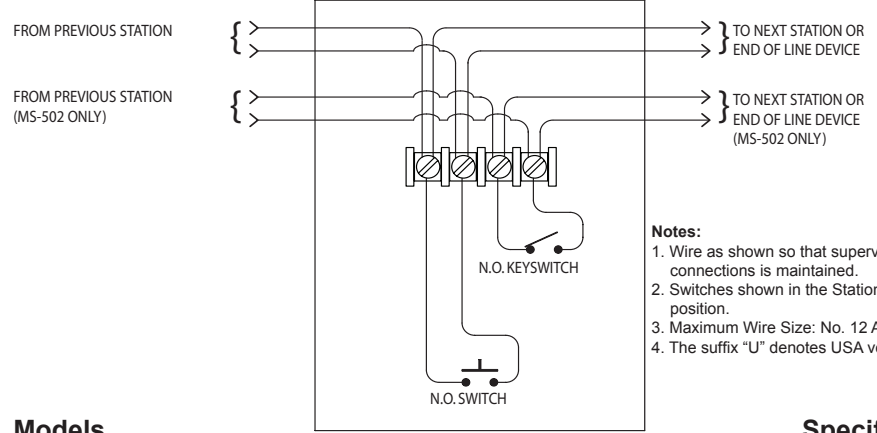
LT-584 Rev.2

## Specifications

- Switch Rating:** 1 Amp @ 30 VDC  
0.1 Amp @ 120VAC
- Surface-Mount Backbox:** 4 1/2"H x 3 5/16"W x 2"D

Mircom's MS-500 Series Pull Stations provide manual fire reporting. The MS-500 Series Pull Stations are non-coded, single or double action devices which initiate an alarm when pulled. The MS-502 (two stage) is similar to the MS-501 (single stage) except for an additional General Alarm (G.A.) N.O. switch. For safety reasons, the G.A. switch is only accessible after the handle has been pulled. A special key is supplied with each unit. All pull stations can be easily converted from a single action to double action by the addition of the MS-DA double action lever.

**MS-501(U) and MS-502(U) Wiring**



- Notes:**
1. Wire as shown so that supervision of connections is maintained.
  2. Switches shown in the Station Closed position.
  3. Maximum Wire Size: No. 12 AWG.
  4. The suffix "U" denotes USA version.

## Models

- MS-501(U):** Single Stage Key Resettable Manual Station
- MS-502(U):** Two Stage Key Resettable Manual Station
- MS-DA:** Double Action Lever Kit  
(converts any of the above to double action stations)

All manual fire alarm stations shall be installed as per the specific requirements outlined in the UL codes, as well as all other applicable national or local codes. Final acceptance is subject to the local authority having jurisdiction.

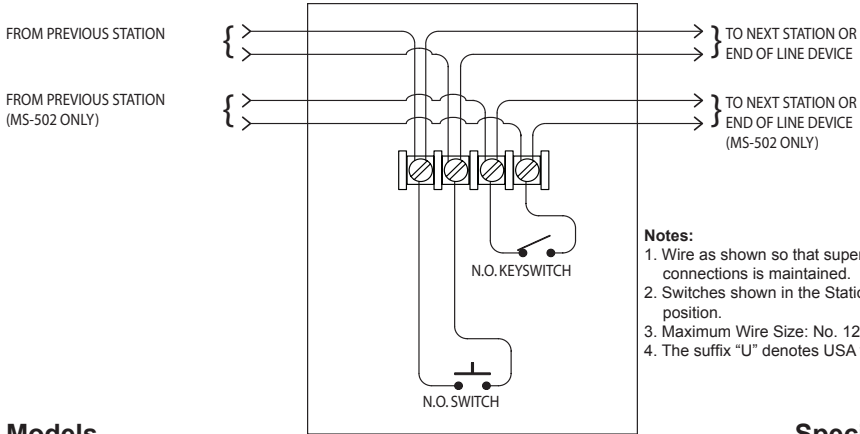
LT-584 Rev.2

## Specifications

- Switch Rating:** 1 Amp @ 30 VDC  
0.1 Amp @ 120VAC
- Surface-Mount Backbox:** 4 1/2"H x 3 5/16"W x 2"D

Mircom's MS-500 Series Pull Stations provide manual fire reporting. The MS-500 Series Pull Stations are non-coded, single or double action devices which initiate an alarm when pulled. The MS-502 (two stage) is similar to the MS-501 (single stage) except for an additional General Alarm (G.A.) N.O. switch. For safety reasons, the G.A. switch is only accessible after the handle has been pulled. A special key is supplied with each unit. All pull stations can be easily converted from a single action to double action by the addition of the MS-DA double action lever.

**MS-501(U) and MS-502(U) Wiring**



- Notes:**
1. Wire as shown so that supervision of connections is maintained.
  2. Switches shown in the Station Closed position.
  3. Maximum Wire Size: No. 12 AWG.
  4. The suffix "U" denotes USA version.

## Models

- MS-501(U):** Single Stage Key Resettable Manual Station
- MS-502(U):** Two Stage Key Resettable Manual Station
- MS-DA:** Double Action Lever Kit  
(converts any of the above to double action stations)

All manual fire alarm stations shall be installed as per the specific requirements outlined in the UL codes, as well as all other applicable national or local codes. Final acceptance is subject to the local authority having jurisdiction.

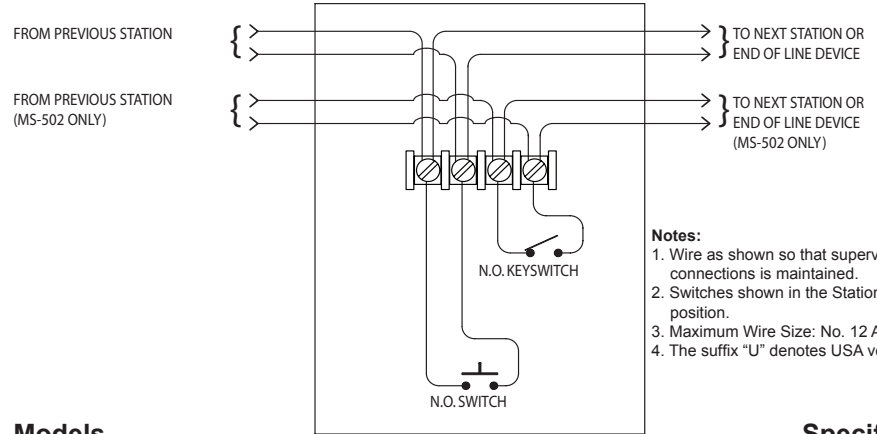
LT-584 Rev.2

## Specifications

- Switch Rating:** 1 Amp @ 30 VDC  
0.1 Amp @ 120VAC
- Surface-Mount Backbox:** 4 1/2"H x 3 5/16"W x 2"D

Mircom's MS-500 Series Pull Stations provide manual fire reporting. The MS-500 Series Pull Stations are non-coded, single or double action devices which initiate an alarm when pulled. The MS-502 (two stage) is similar to the MS-501 (single stage) except for an additional General Alarm (G.A.) N.O. switch. For safety reasons, the G.A. switch is only accessible after the handle has been pulled. A special key is supplied with each unit. All pull stations can be easily converted from a single action to double action by the addition of the MS-DA double action lever.

**MS-501(U) and MS-502(U) Wiring**



- Notes:**
1. Wire as shown so that supervision of connections is maintained.
  2. Switches shown in the Station Closed position.
  3. Maximum Wire Size: No. 12 AWG.
  4. The suffix "U" denotes USA version.

## Models

- MS-501(U):** Single Stage Key Resettable Manual Station
- MS-502(U):** Two Stage Key Resettable Manual Station
- MS-DA:** Double Action Lever Kit  
(converts any of the above to double action stations)

All manual fire alarm stations shall be installed as per the specific requirements outlined in the UL codes, as well as all other applicable national or local codes. Final acceptance is subject to the local authority having jurisdiction.

LT-584 Rev.2

## Specifications

- Switch Rating:** 1 Amp @ 30 VDC  
0.1 Amp @ 120VAC
- Surface-Mount Backbox:** 4 1/2"H x 3 5/16"W x 2"D