

FM-100 Installation Sheet

Mircom's RFM-100 Reversomatic Fan Monitor provides visual confirmation of fan motor operation.

Installation of the fan and the corresponding electrical wiring must be done by a qualified person and be in accordance with all municipal and national electrical Codes.

1.1 RFM-100

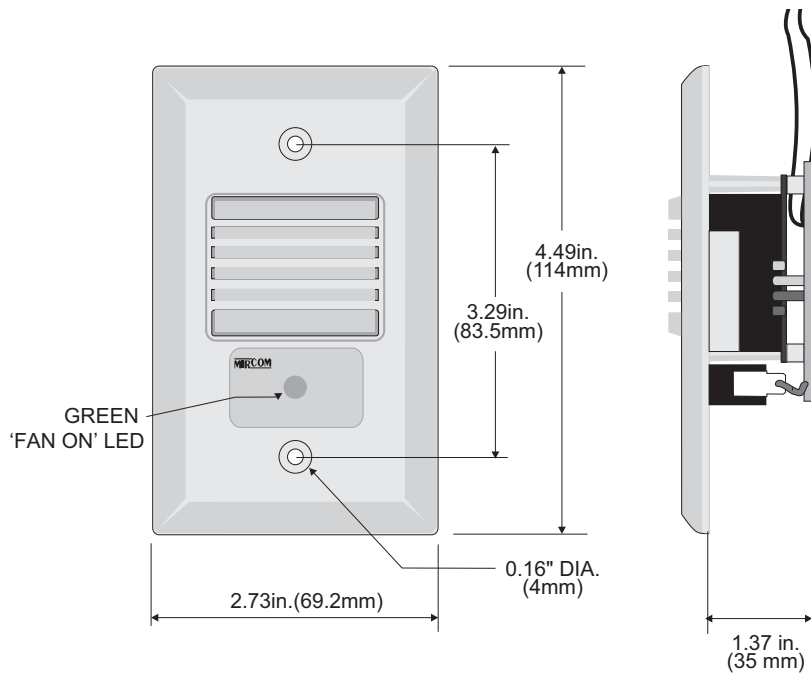


Figure 1 Dimensions and anchor holes for RFM-100

1.2 Mechanical Installation

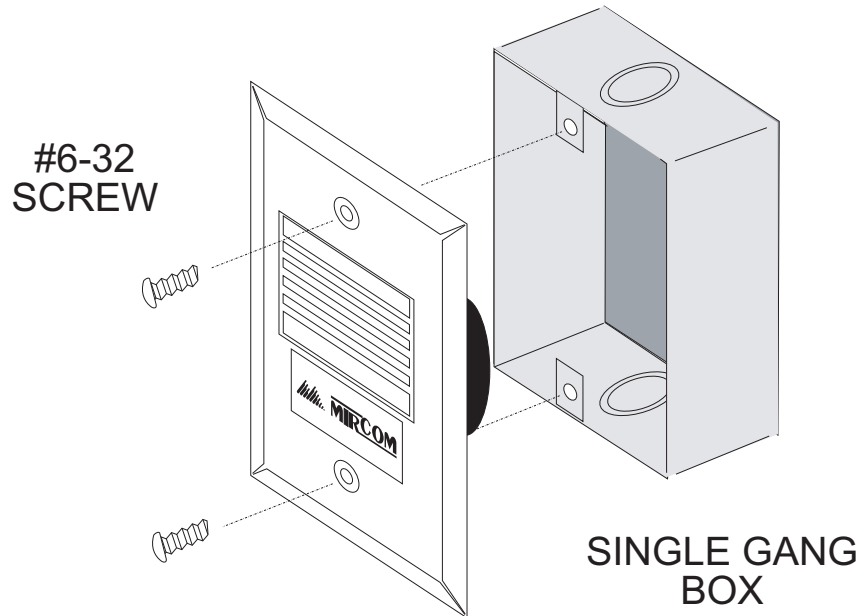


Figure 2 Anchoring RFM-100

1.3 Installation precautions:

- Before wiring or servicing the fan, ensure service panel is powered off and locked out.
- When cutting or drilling into walls, partitions, or ceilings, take precautions to not damage conduit or concealed electrical wiring.

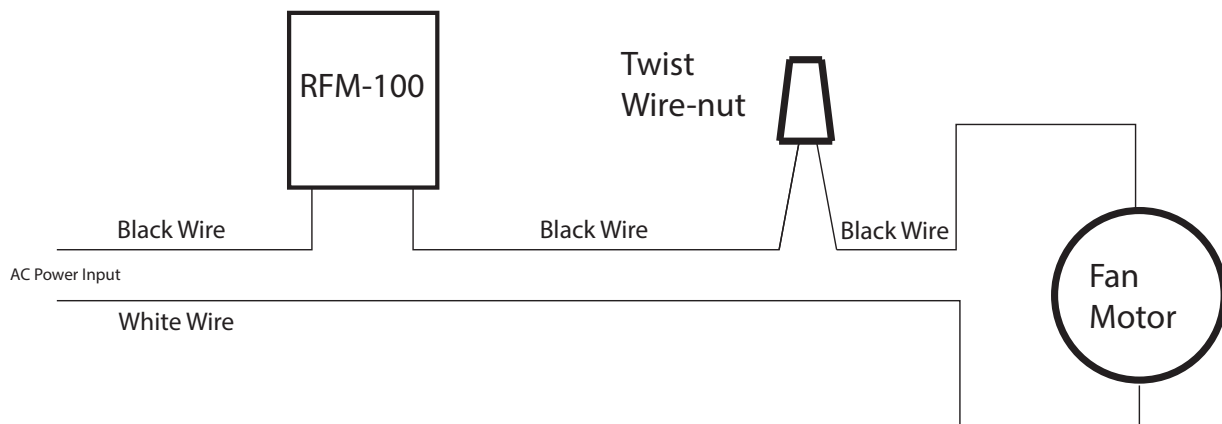


Figure 3 Wire Diagram for RFM-100