

TX3-NANO-BB Installation Instructions

Warning: Always use the TX3-NANO-BB backbox for outdoor installations.

Do not mount the TX3 Nano in direct sunlight.

Note: This document describes how to mount the TX3 Nano mounting plate to the optional TX3-NANO-BB mounting box.

See LT-6637 on <http://www.mircom.com> for complete instructions on mounting and wiring the TX3 Nano.

1. To prevent water from flowing around the mounting plate and into the TX3 Nano, apply outdoor-rated weatherproof silicone to the groove in the back of the mounting plate, as shown in Figure 1.

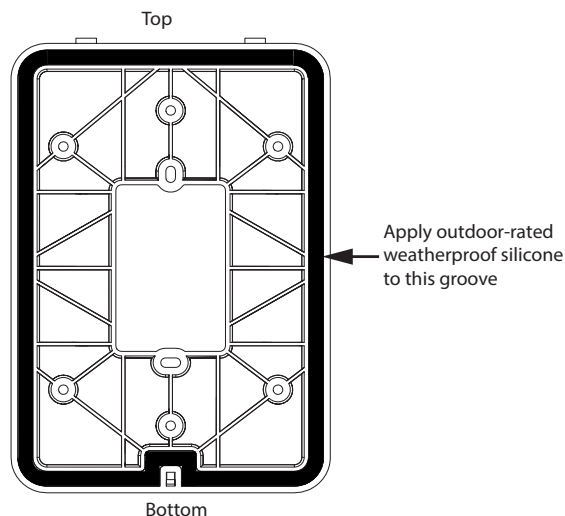


Figure 1. Mounting plate from the back: apply silicone to the groove

Warning: Do not apply silicone to any other part of the TX3 Nano. Apply weatherproof silicone to the groove in the mounting plate only.

2. To prevent water from flowing into the TX3-NANO-BB mounting box, apply outdoor-rated weatherproof silicone around the 4 holes on the back of the mounting box (the side against the wall) as shown in Figure 2. If you remove the knockout, apply outdoor-rated weatherproof silicone around that hole as well.

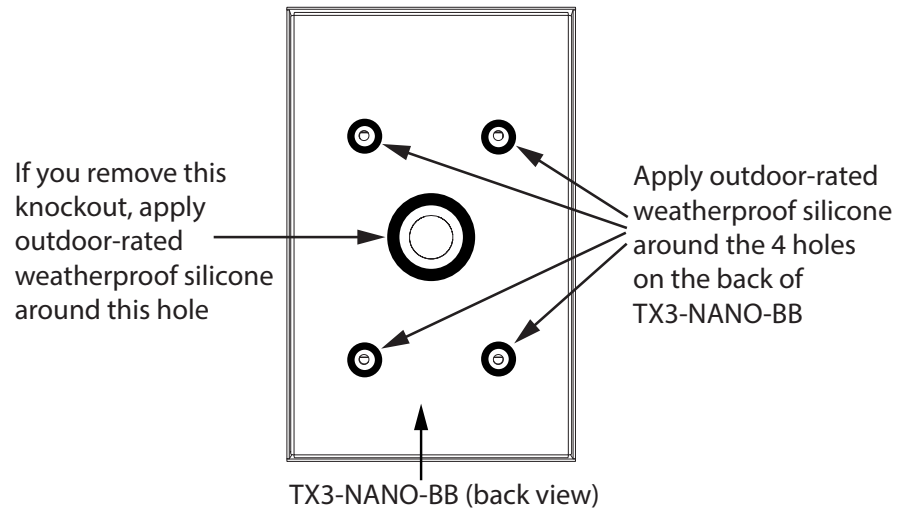


Figure 2. Apply silicone around the holes on the back of the mounting box

3. Mount TX3-NANO-BB to the wall with 4 fasteners appropriate for the type of wall.

4. Attach the TX3 Nano mounting plate over the TX3-NANO-BB with the included 6 screws as shown in Figure 3.

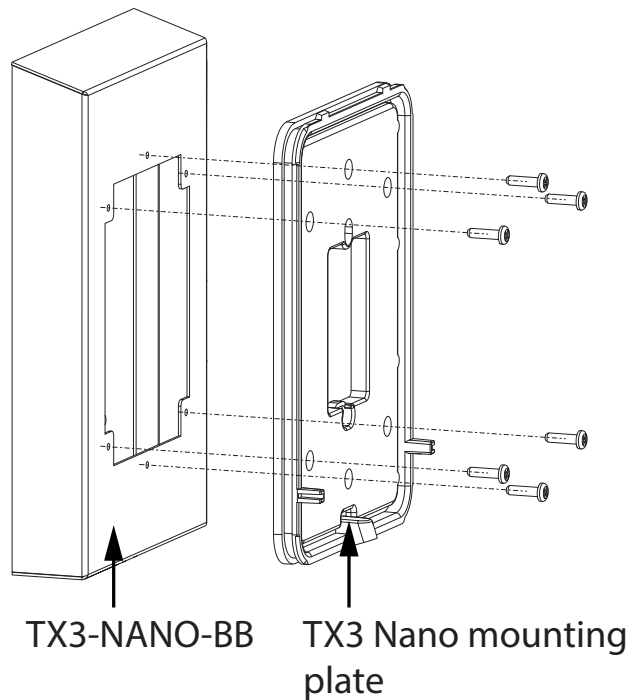


Figure 3. Mount the mounting plate to TX3-NANO-BB

Note: **The TX3 Nano has a tamper feature. If it is powered on and not mounted on the mounting plate, a tone sounds. The tone stops sounding when it is mounted.**

5. Fit the top of the TX3 Nano onto the two hooks on the mounting plate.

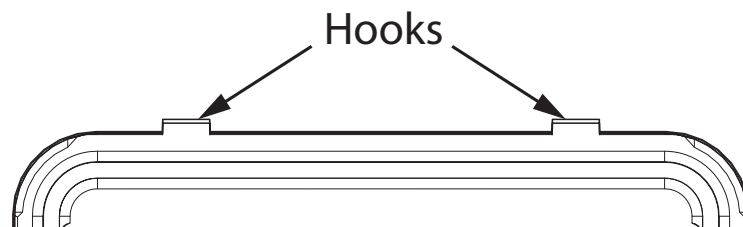


Figure 4. Hooks at the top of the mounting plate

6. Press the TX3 Nano onto the mounting plate.

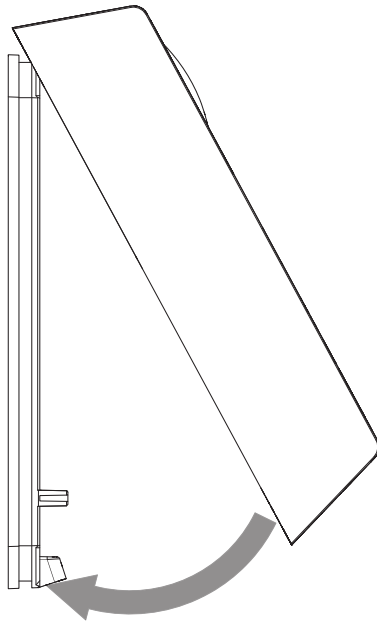


Figure 5. Press the TX3 Nano on to the mounting plate

7. Secure the TX3 Nano to the mounting plate with the provided #6-32 x 0.25" security screw.

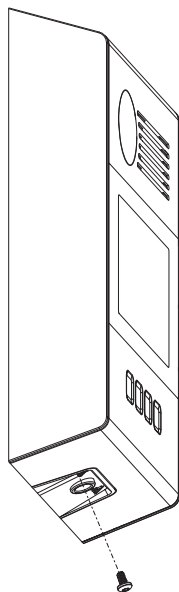


Figure 6. Secure the TX3 Nano to the mounting plate

8. See LT-6637 on <http://www.mircom.com> for complete instructions on wiring the TX3 Nano.