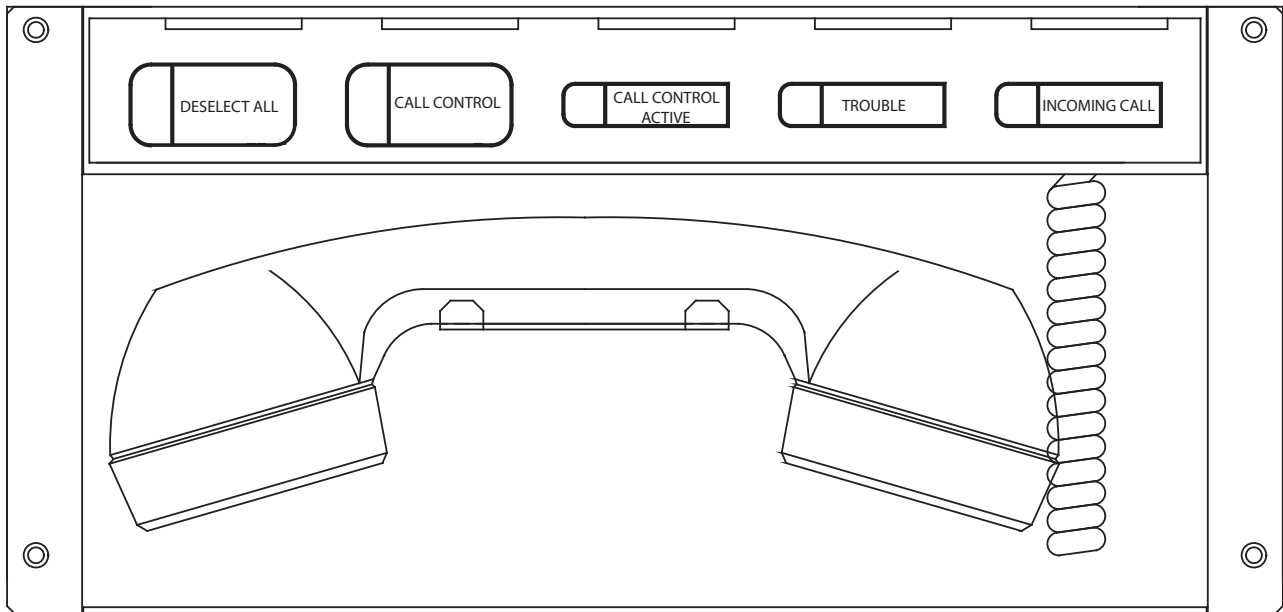




# QMT-5302N Network Master Firefighters' Telephone Control Module

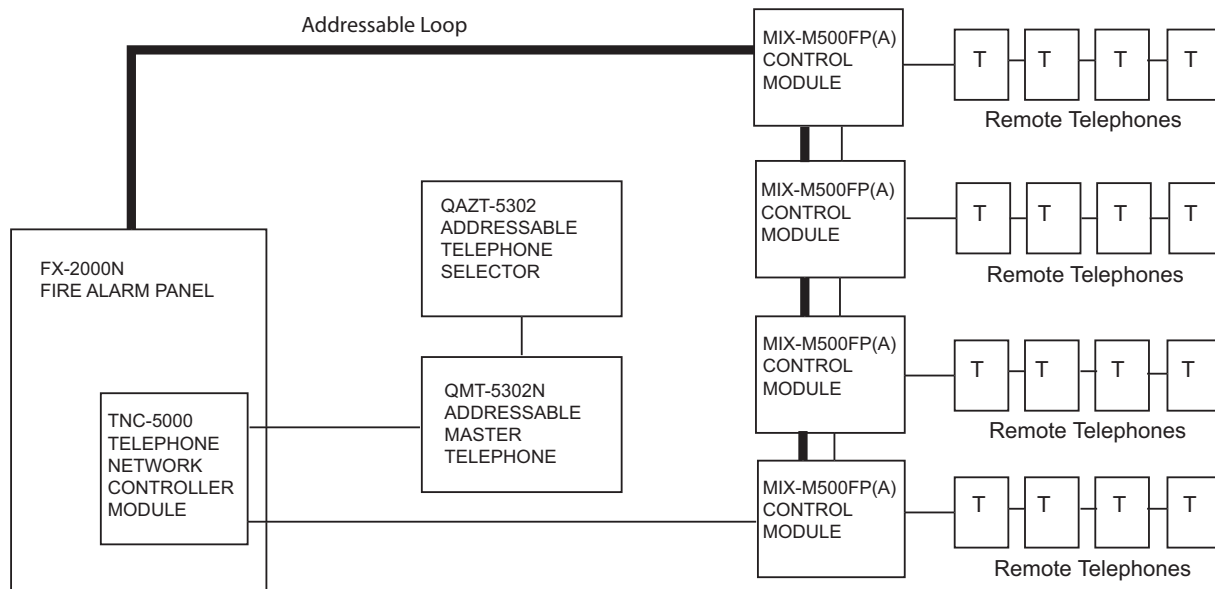
The QMT-5302N mounts into the BB-5008 and BB-5014. QMT-5302N Network Master Firefighters' Telephone Control Module is used in conjunction with the Network Fire Alarm system at the Command and Control Facility (CACF) Node. Slide-in labels (NP-6657) are supplied with the Master Telephone. Place labels as shown in Figure 1. The QAZT-5302 Telephone Selector panels are used for selecting telephone zones (up to 24 zones per selector panel) and include blank labels for labelling the telephone zones.

**Figure 1: QMT-5302N Master Firefighters' Telephone**



## Typical Set-up

The typical set-up is with a connection from the previous display board to the TNC-5000 Telephone Network Controller board and from the TNC-5000 to the Master Telephone QMT-5302N. The QAZT-5302 selector panels are connected to the Master Telephone by ribbon cable only. The MIX-M500FP(A) Control Modules are connected to the addressable loop from the network fire alarm and to each other and the Master Telephone. Remote telephones are connected to the control modules.

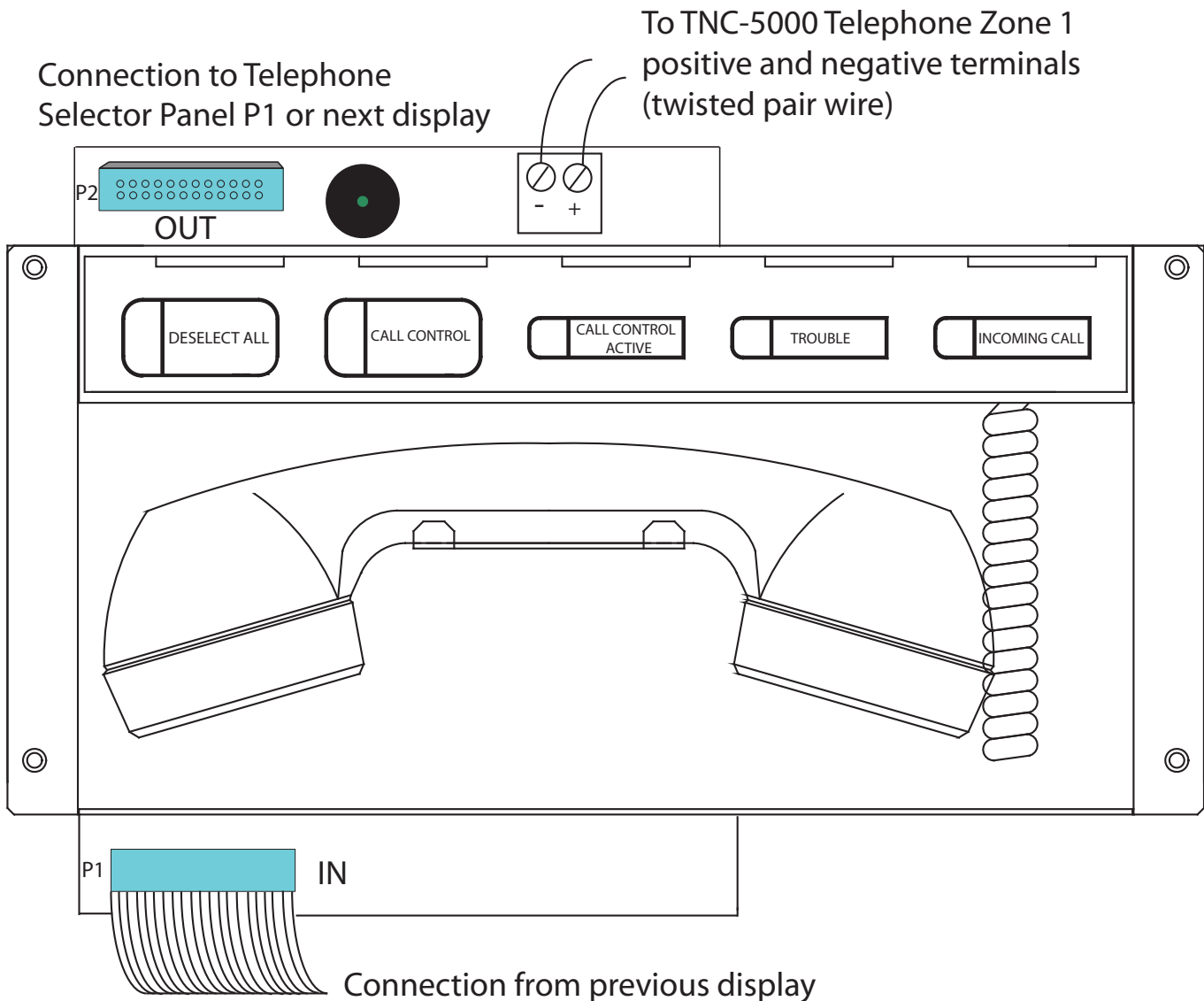


# QMT-5302N Connections

The connections required on the QMT-5302N Network Master Firefighters' Telephone Control Module are the cable from the previous display module to P1 or IN connector on the bottom left of the board and the OUT connection goes to the IN connector of the next display board.

The master telephone positive and negative terminals connect to the TNC-5000 Zone 1 positive and negative terminals with twisted pair wires. Refer to Figure 2 below for connector and terminal block locations.

**Figure 2: QMT-5302N Cable Connection and Terminal Wiring**



**Note:** Refer to Network Fire Alarm Manual for further system wiring.