

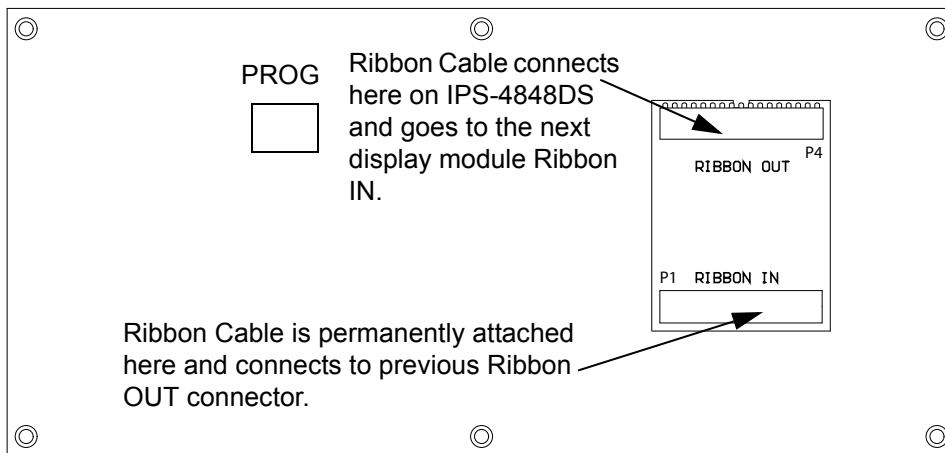
Module Mounting Locations

The IPS-4848DS Programmable Input Switches Module mounts into a series of enclosures as part of the fire alarm system. This adder module provides 48 programmable switches, 48 bi-coloured (red/amber) LEDs for fire alarm zone annunciation and 48 amber trouble LEDs. Compatible with FX-2000, FleX-Net™ (FX-2000N) and MMX Fire Alarm panels.

Figure 1: IPS-4848DS Programmable Input Switches Module Front Chassis View



Figure 2: IPS-4848DS CABLE CONNECTIONS



For programming details refer to Application guide.

Programming

NOTICE TO USERS, INSTALLERS, AUTHORITIES HAVING JURISDICTION, AND OTHER INVOLVED PARTIES

This product incorporates field-programmable software. In order for the product to comply with the requirements in the Standard for Control Units for Fire Alarm Systems, CAN/ULC-527-11, certain programming features or options must be limited to specific values or not used at all as indicated below.

Program feature or option	Permitted in CAN/ULC-S527? (Y/N)	Possible settings	Settings permitted in CAN/ULC-S527
IPS-4848DS Zone Switch Alarm, Supervisory, Trouble and Manual Evacuation	N	Resound by pressing Signal Silence button again	Same button can be used to resound the signals after they have been silenced

Programming for Silence of NACs using IPS-4848DS

Example below uses the top buttons as Silence switches for adjacent NACs (part of same node) below in column format. The purple section is all controlled by the Silence button at the top of the second column in from the right. All the same coloured NAC labels are silenced by the corresponding same coloured Silence switch.



Electrical Specifications for Battery Calculations:

IPS-4848DS:

Voltage: 24VDC

Current Consumption: standby current: 10mA
alarm current: 22mA