

Module Mounting Locations

The QAZT-5348DS Addressable Telephone and Paging Selector Panel mounts into various enclosures, refer to the associated fire alarm panel manual for detailed instruction. Compatible with FleX-Net™ (FX-2000N), FX-2000, QX-5000 and MMX™.

Figure 1: QAZT-5348DS Addressable Telephone and Paging Selector Panel Display



Electrical Specifications for Battery Calculations:

QAZT-5348DS

Voltage: 24VDC

Current Consumption: standby current: 10mA
alarm current: 22mA

Connector Location

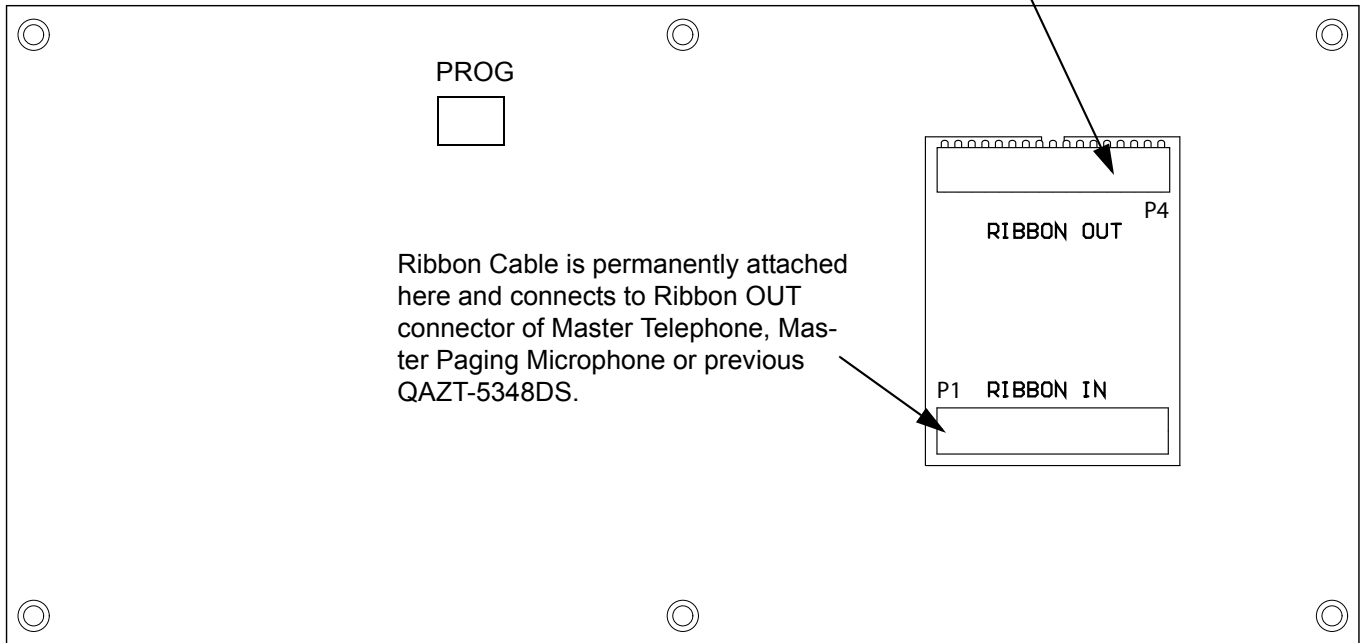
Refer to Figure 2 for the location of the connectors. Table 1 below shows the cable connections required for panel operation.

Table 1: Connectors

| QAZT-5348DS Connectors | Connects to |
|---------------------------|--|
| P1 (RIBBON IN CABLE) | Master Telephone or Master Paging module |
| P4 (RIBBON OUT) | Connects to P1 of the next QAZT-5348DS Addressable Telephone and Paging Selector Panel or next display module. |

Figure 2: QAZT-5348DS Addressable Telephone and Paging Selector Board

Ribbon Cable connects here on QAZT-5348DS and goes to the next QAZT-5348DS or display module Ribbon IN.



Operation

Individual telephone or paging zone selection is achieved from this panel (QAZT-5348DS). There is no wiring required from this panel. Each QAZT-5348DS annunciates and controls up to 48 telephone or paging zones. There is one button and two LEDs per zone. The lower amber LED indicates Zone trouble. The upper green LED indicates whether that zone is selected for telephone or paging communication via the Addressable Master Telephone Handset or Master Paging Microphone. Press the button to turn the selection for telephone and paging communication ON and OFF.

Programming

| NOTICE TO USERS, INSTALLERS, AUTHORITIES HAVING JURISDICTION, AND OTHER INVOLVED PARTIES | | | |
|---|----------------------------------|---|--|
| This product incorporates field-programmable software. In order for the product to comply with the requirements in the Standard for Control Units for Fire Alarm Systems, CAN/ULC-527-11, certain programming features or options must be limited to specific values or not used at all as indicated below. | | | |
| Program feature or option | Permitted in CAN/ULC-S527? (Y/N) | Possible settings | Settings permitted in CAN/ULC-S527 |
| QAZT-5348DS Zone Switch configured as supervisory, trouble, and monitor | N | Red and green LEDs when active | Yellow LED when active |
| QAZT-5348DS Zone Switch Alarm, Supervisory, Trouble and Manual Evacuation | N | Resound by pressing Signal Silence button again | Same button can be used to resound the signals after they have been silenced |