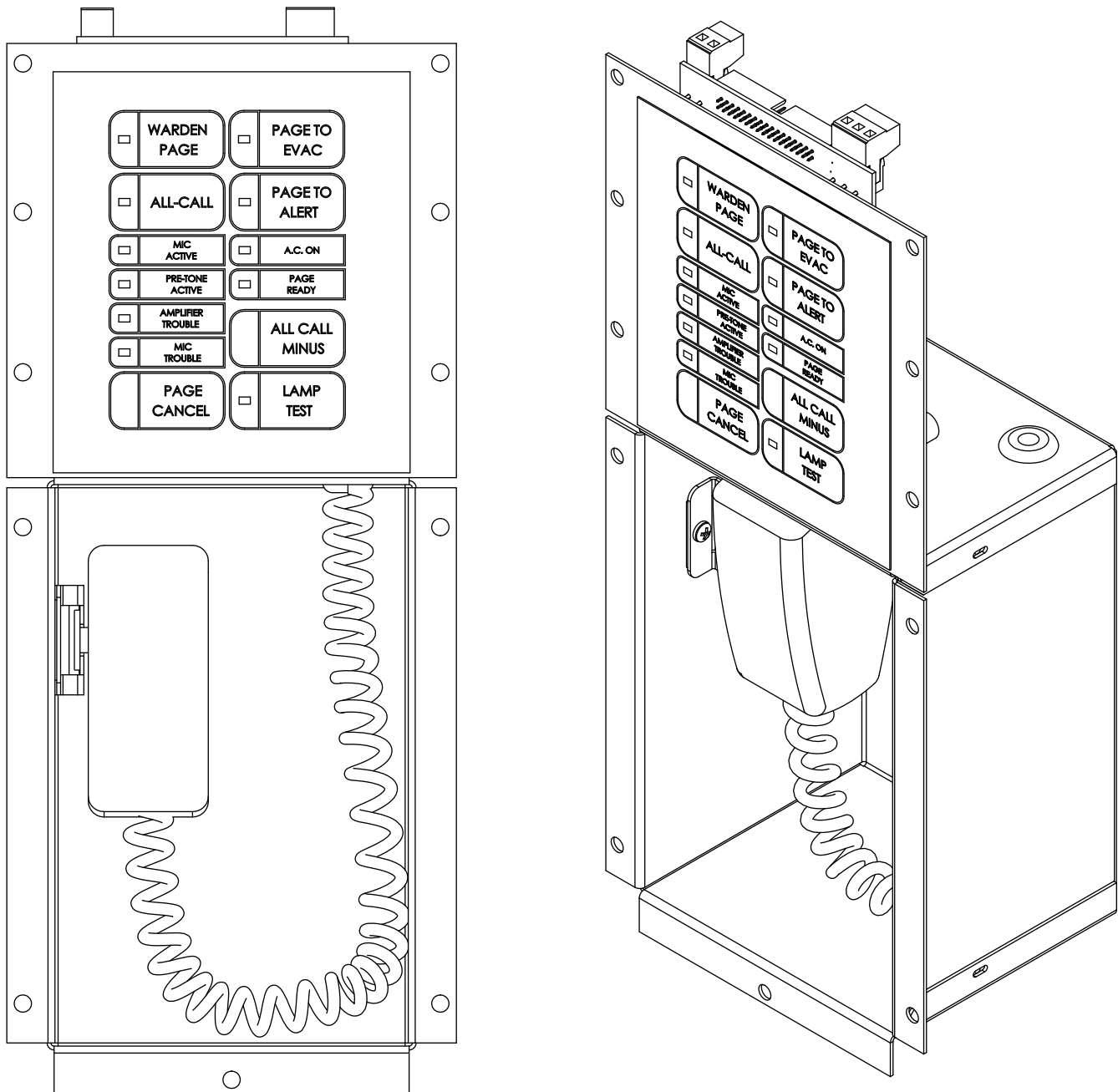


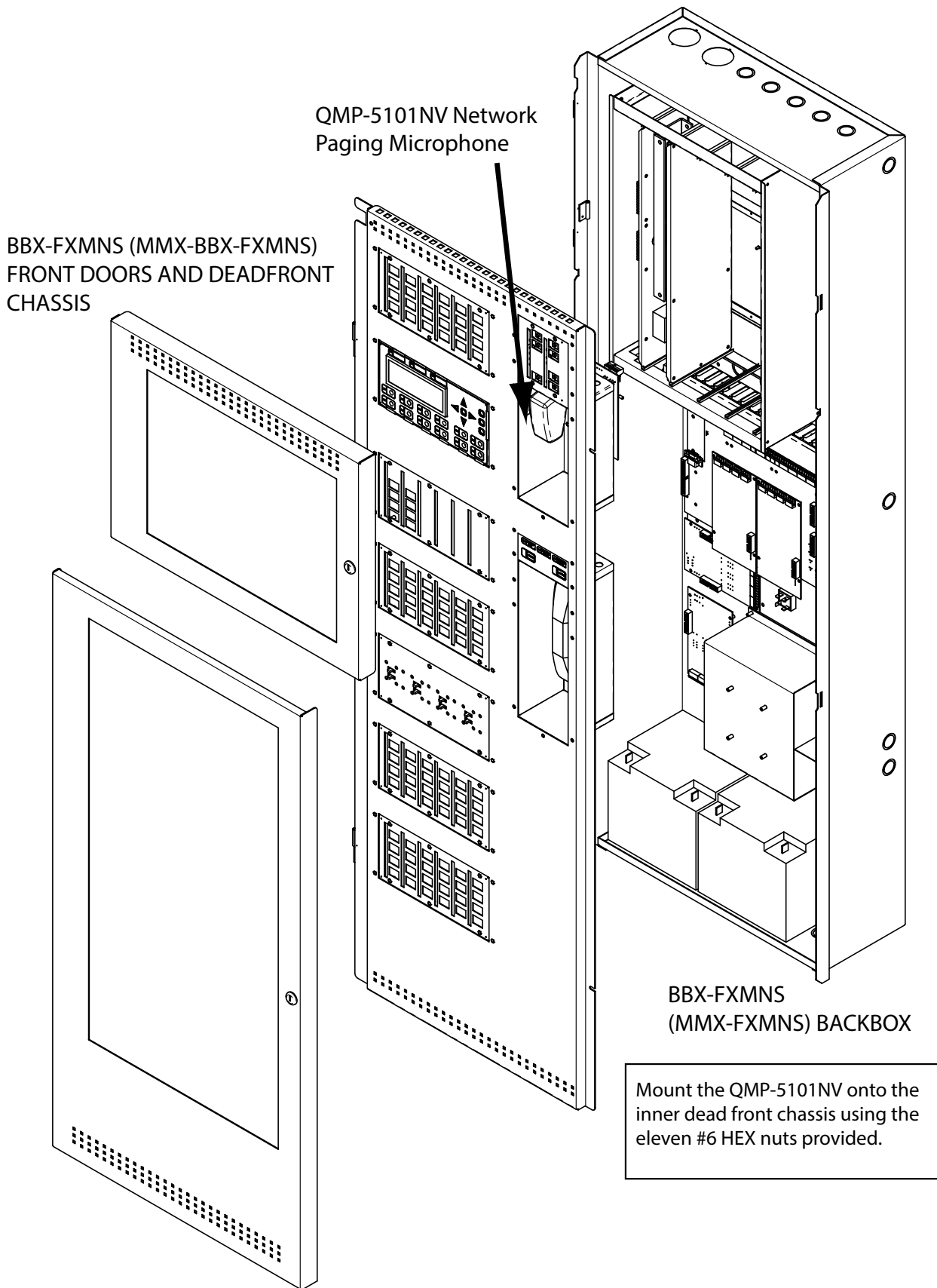
#### QMP-5101NV Network Paging Microphone

The QMP-5101NV Network Paging Microphone module fits into the new BBX-FXMNS (MMX-BBX-FXMNS) Enclosure. It mounts on the inside dead front chassis (part of the BBX-FXMNS [MMX-BBX-FXMNS] door assembly).

**Figure 1: QMP-5101NV Network Paging Microphone Module**



**Figure 2: BBX-FXMNS Enclosure Complete View**

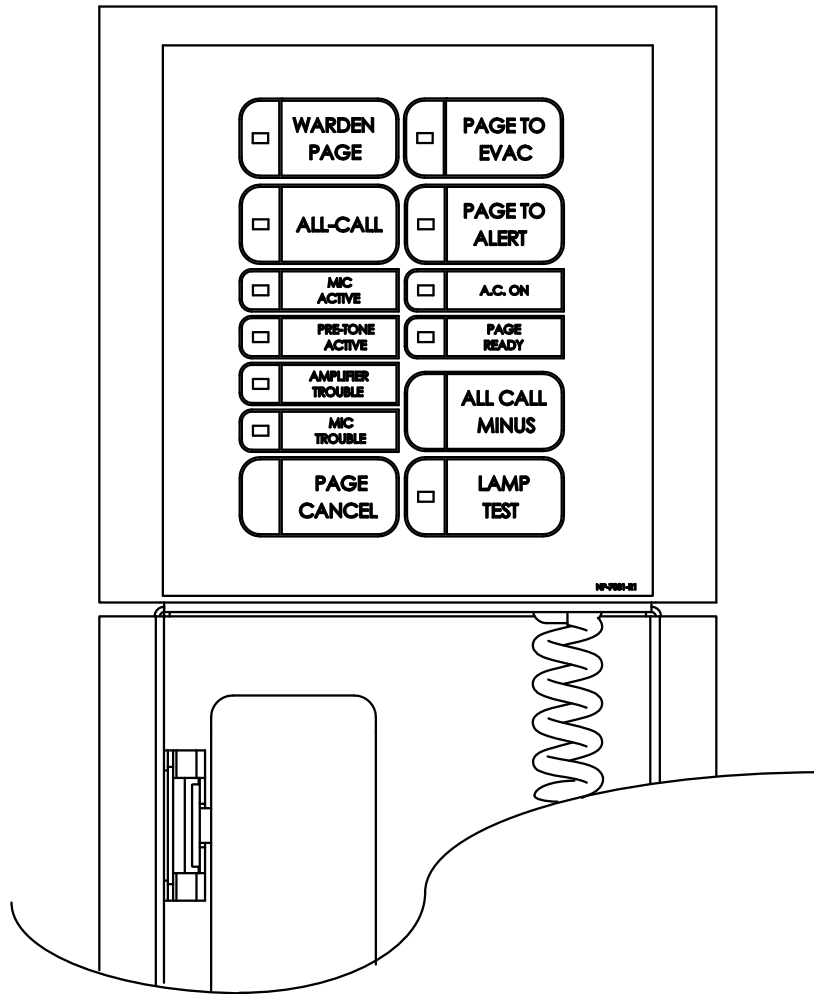


## QMP-5101NV Network Paging Microphone Module

The QMP-5101NV Network Paging Microphone Module connects via a ribbon cable to the first QAZT-5302 Zoned Selector Panel and to the previous display module. It also has wiring terminals for connection to the ANC-5000 Audio Network Controller Module in the cabinet.

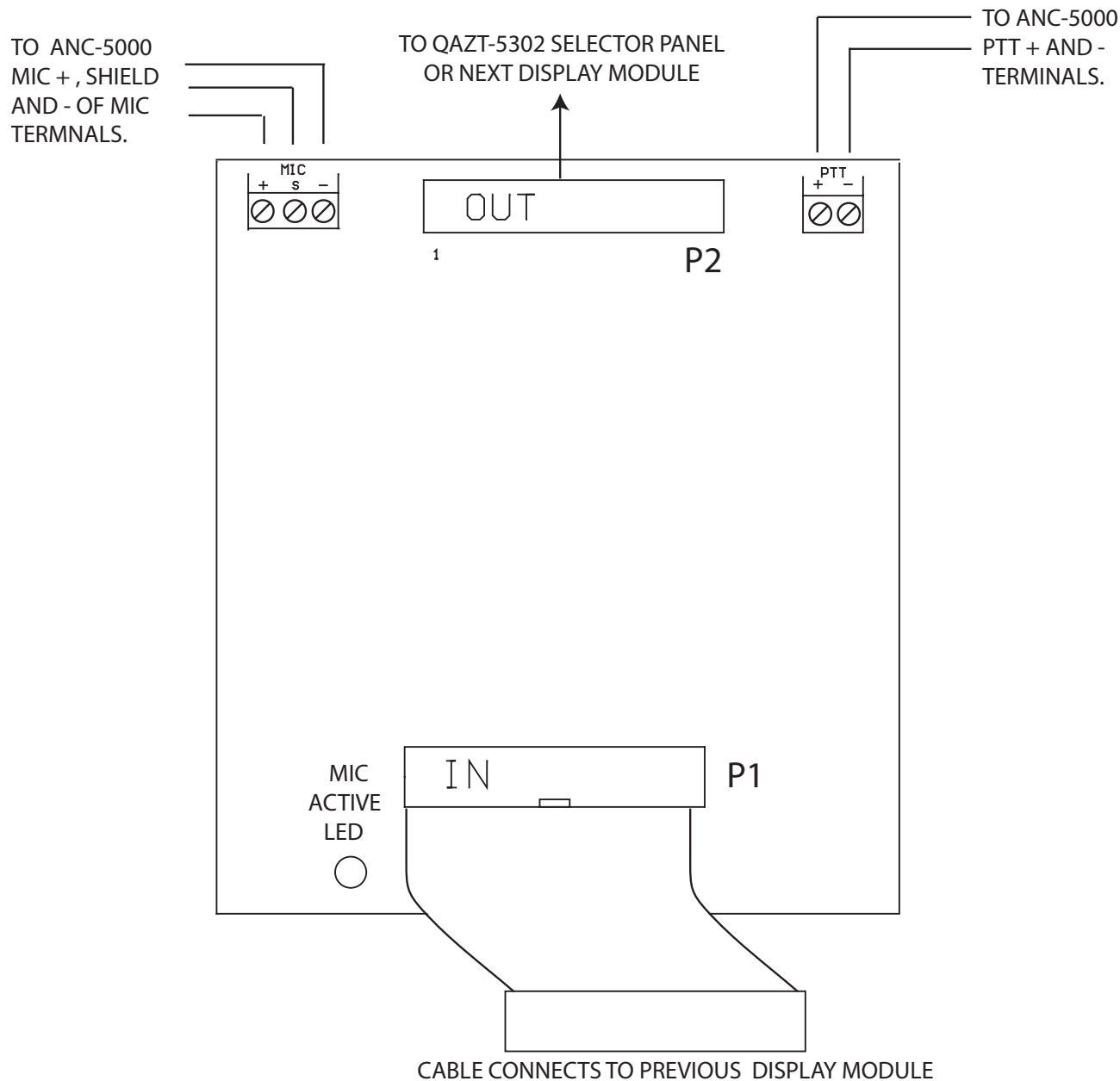
Slide-in labels NP-6659 are placed so that push buttons and LEDs are labelled as shown in Figure 3.

**Figure 3: QMP-5101NV Network Paging Microphone Module**



Connect ribbon cable from P1 (IN) to previous display module. Connect P2 (OUT) to the QAZT-5302 Zoned Selector Panel or next display module. Wire the positive and negative terminals and the microphone MIC positive, negative and shield to the ANC-5000 Audio Network Controller Module corresponding terminals.

**Figure 4: QMP-5101NV Network Master Paging Control Module Connections and Terminal Blocks**



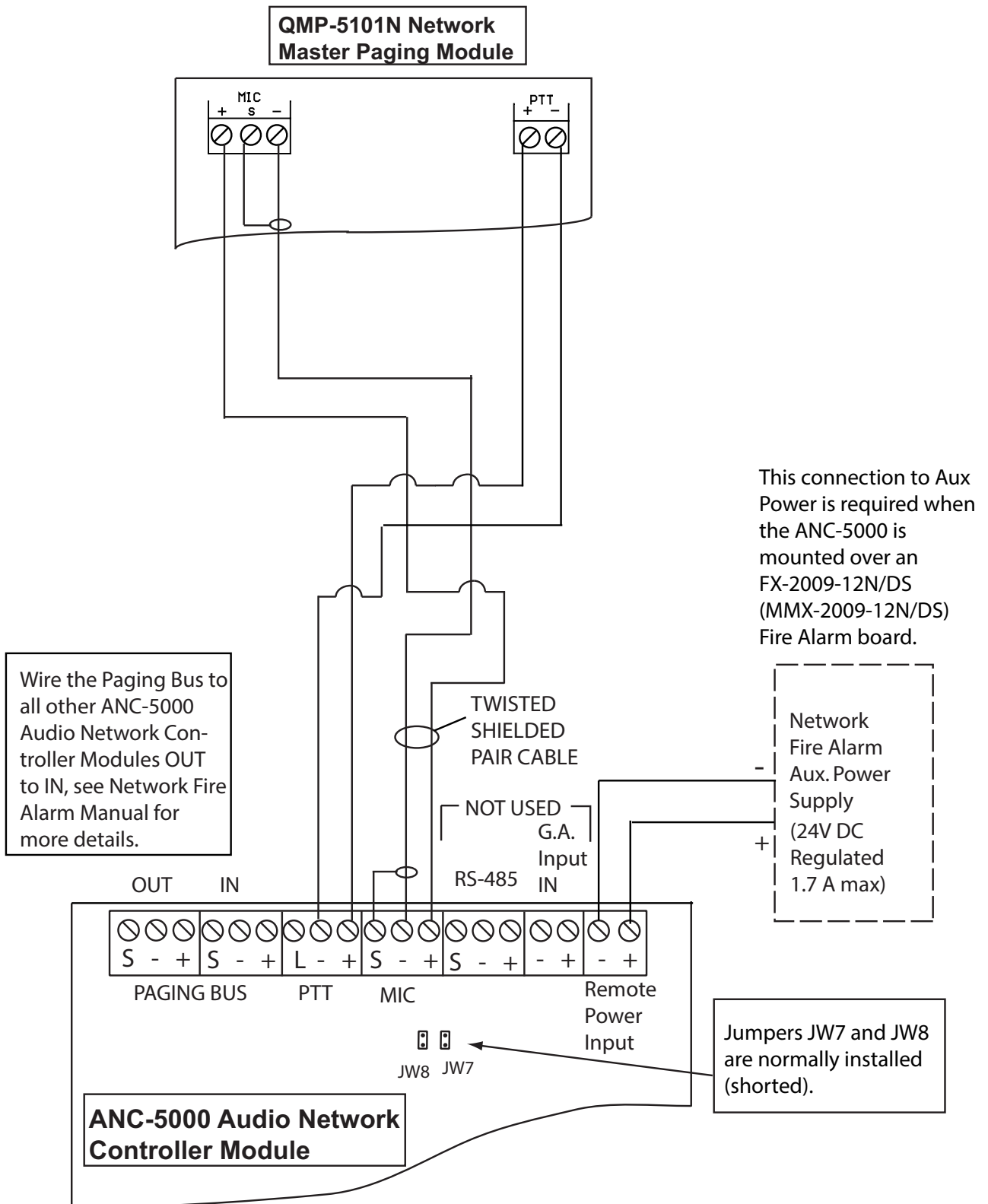
The interface wiring between the QMP-5101NV and ANC-5000 is as follows:

<b>MIC+, MIC-, SHLD:</b>	18-22 AWG Twisted Shielded Pair
<b>PTT+, PTT-:</b>	18-22 AWG Twisted Pair

The maximum wiring run from the QMP-5101NV and the ANC-5000 is 20 feet or 6 metres.

# QMP-5101NV Network Paging Microphone Wiring

Figure 5: QMP-5101NV Network Paging Microphone Wiring to the ANC-5000 Audio Network Controller Module



# Paging Operation

---

This section describes the controls and indicators on the QMP-5101NV Master Paging and QAZT-5302 Paging Selector Modules.

## **QMP-5101NV LEDs**

### **Warden Page**

Illuminates steady green to indicate that the Warden Page function is active.

### **All Call**

Illuminates steady green to indicate that the All-Call function is active.

### **MIC Active LED**

Flashes green to indicate any activity on the paging bus (i.e. other microphone in use). Illuminates steady green when associated microphone (at proximity of LED) is in use.

### **Pre-Tone Active LED**

Steady green when paging and warden paging.

### **Amplifier Trouble LED**

Indicates any amplifier internal trouble.

### **Mic Trouble LED**

Flashes amber to indicate a microphone trouble.

### **Page to Evac LED**

Illuminates steady green when the Page to Evac pushbutton is active.

### **Page to Alert LED**

Illuminates steady green when the Page to Alert pushbutton is active.

### **AC ON LED**

This green LED illuminates steadily to indicate that AC power is present.

### **Page Ready LED**

Illuminates steady green when the push-to-talk (PTT) on the microphone is depressed (active).

### **Lamp Test LED**

This amber LED illuminates steadily to indicate that the Lamp Test has been activated.

## **QMP-5101NV Pushbutton Controls**

### **Warden Page Button**

When pressed, the Warden Page button enables voice paging from the firefighters' telephone (if connected) to all zones selected for paging, unless page inhibit is active. Note that pressing PTT will not result in any paging activity unless there are zones selected for paging. Also note that there must be an active firefighters' telephone connection for warden paging to occur.

### **All-Call Button**

Selects all zones for voice paging.

### **All-Call Minus Button**

Inverts the selection of zones for voice paging.

**Page to Evac**

Pressing this button selects all the audio zones currently in evacuation mode, for paging.

**Page to Alert**

Pressing this button selects all the audio zones currently in alert mode, for paging.

**Page Cancel**

Pressing this button de-selects all zones (including those manually selected) from paging.

**Lamp Test Button**

Momentarily activates all LED indicators.

**Microphone PTT Button**

The microphone's PTT (push-to-talk) button is located on the microphone itself. When depressed, allows voice paging (from the microphone) to be enabled to all zones selected for paging, unless page cancel is active. Note that pressing PTT will not result in any paging activity unless there are zones selected for paging.