



QMT-5302NV

Network Master Firefighters' Telephone Installation Instructions

QMT-5302NV Network Master Firefighters' Telephone

The QMT-5302 Network Master Firefighters' Telephone fits into the BBX-FXMNS Enclosure. It mounts on the inner deadfront chassis (part of the BBX-FXMNS door assembly). Connections and terminal wiring is the same as for the QMT-5302N.

Figure 1: QMT-5302NV Network Master Firefighters' Telephone

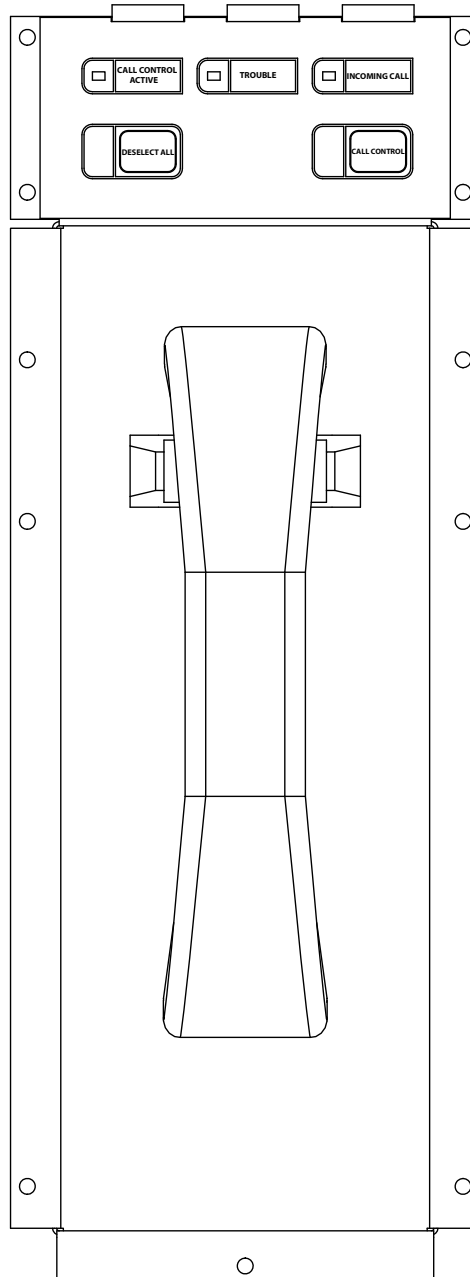
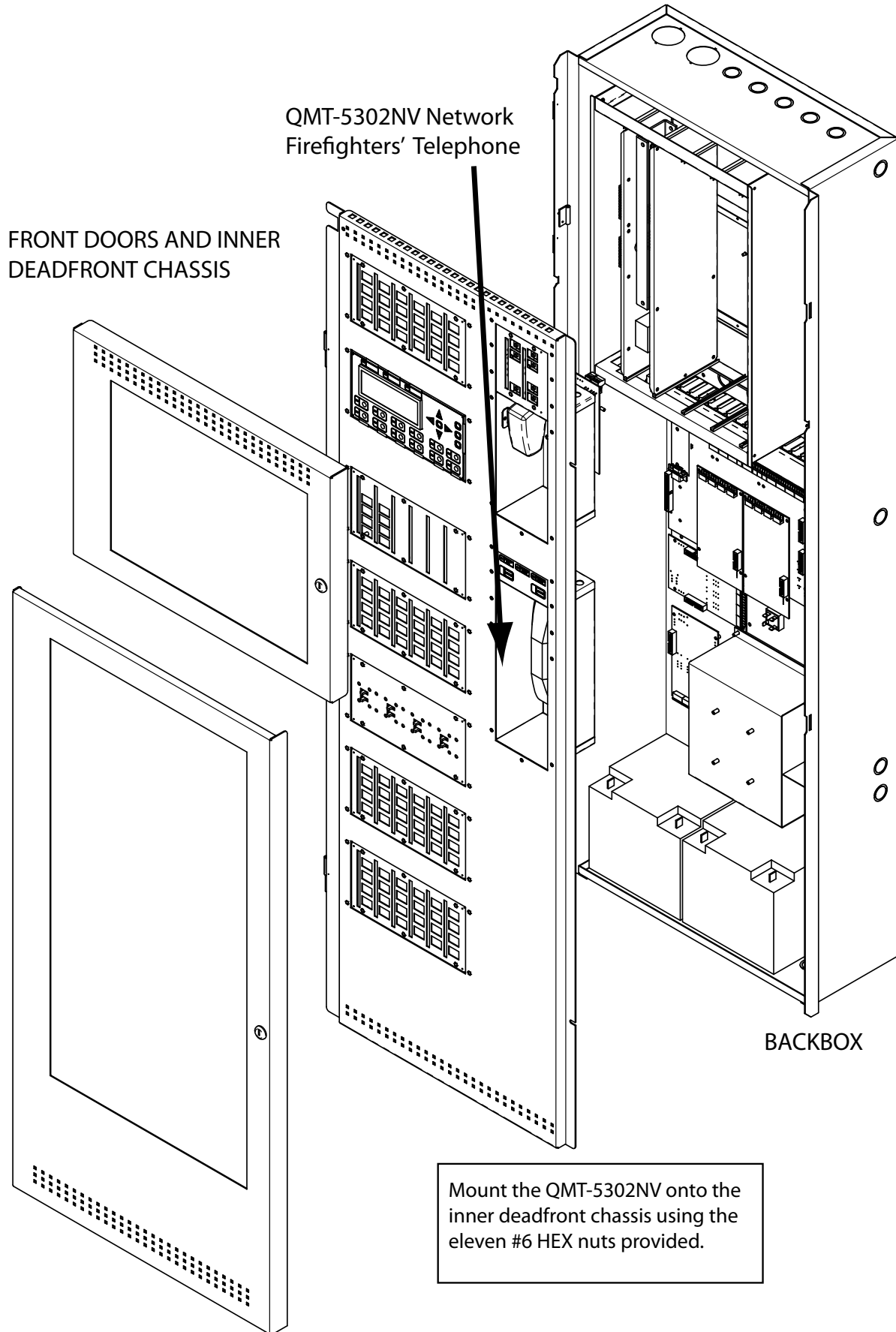


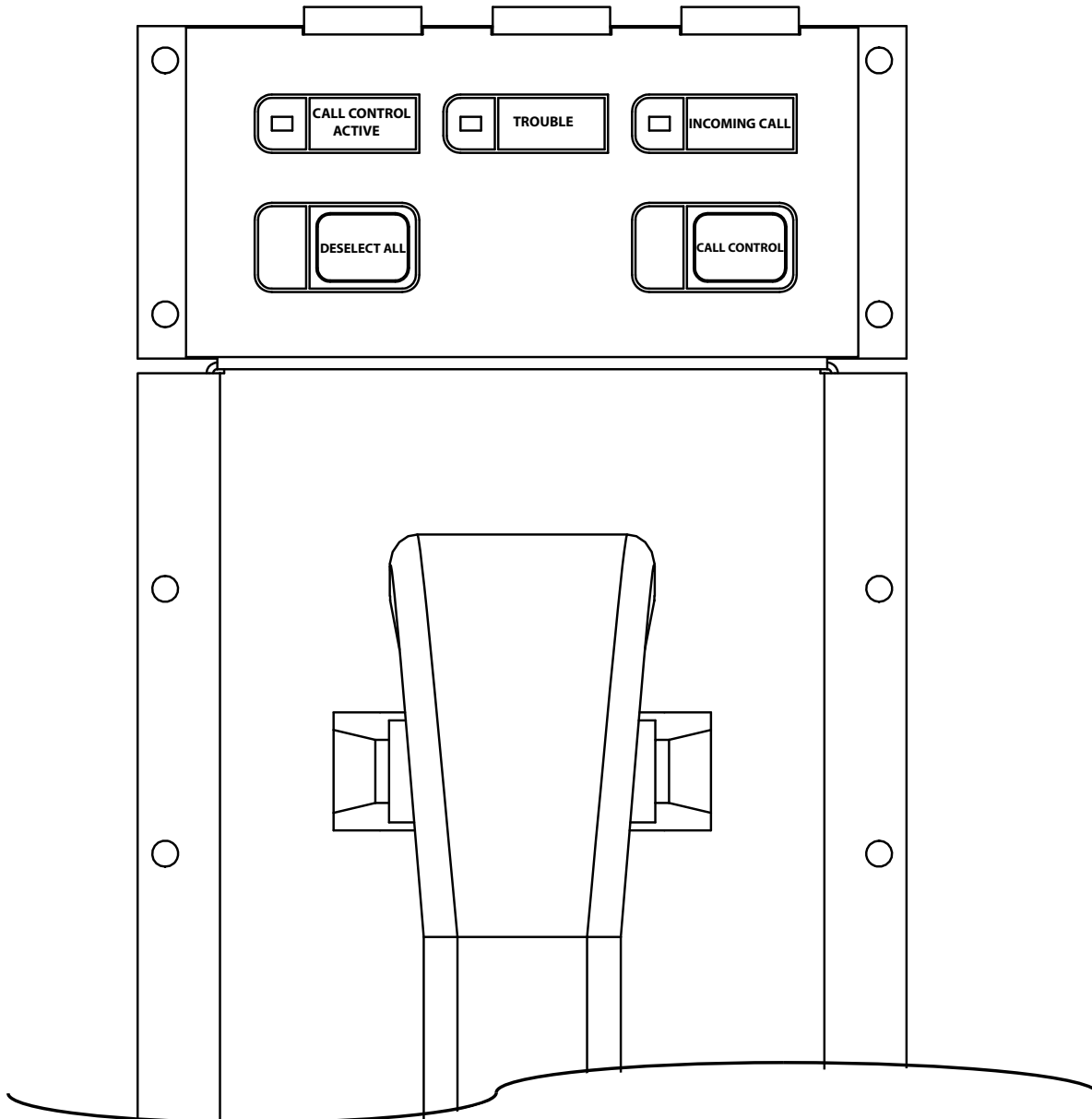
Figure 2: BBX-FXMNS Enclosure Complete View



QMT-5302NV Network Master Firefighters' Telephone

The QMT-5302NV Network Master Firefighters' Telephone is used in conjunction with the Network Fire Alarm system. Slide-in labels (NP-7048) are supplied with the Master Telephone. Place labels as shown in Figure 3. The QAZT-5302/DS Telephone Selector panels are used for selecting telephone zones (up to 24 zones per selector panel) and include blank labels for labelling the telephone zones.

Figure 3: QMT-5302NV Network Firefighters' Telephone Label Placement



QMT-5302NV Network Master Firefighters' Telephone Wiring

The connection required on the QMT-5302NV Network Master Firefighters' Telephone board is the ribbon cable from the previous display module to P1 or IN connector on the bottom center of the board and the OUT connection goes to the IN connector of the next display board.

The master telephone positive and negative terminals (located on the back of QMT-5302NV) connect to the TNC-5000 Zone 1 positive and negative terminals with twisted pair wires. Refer to Figure 4 below for connector and terminal block locations of the QMT-5302NV.

Figure 4: QMT-5302NV Cable Connection and Terminal Wiring

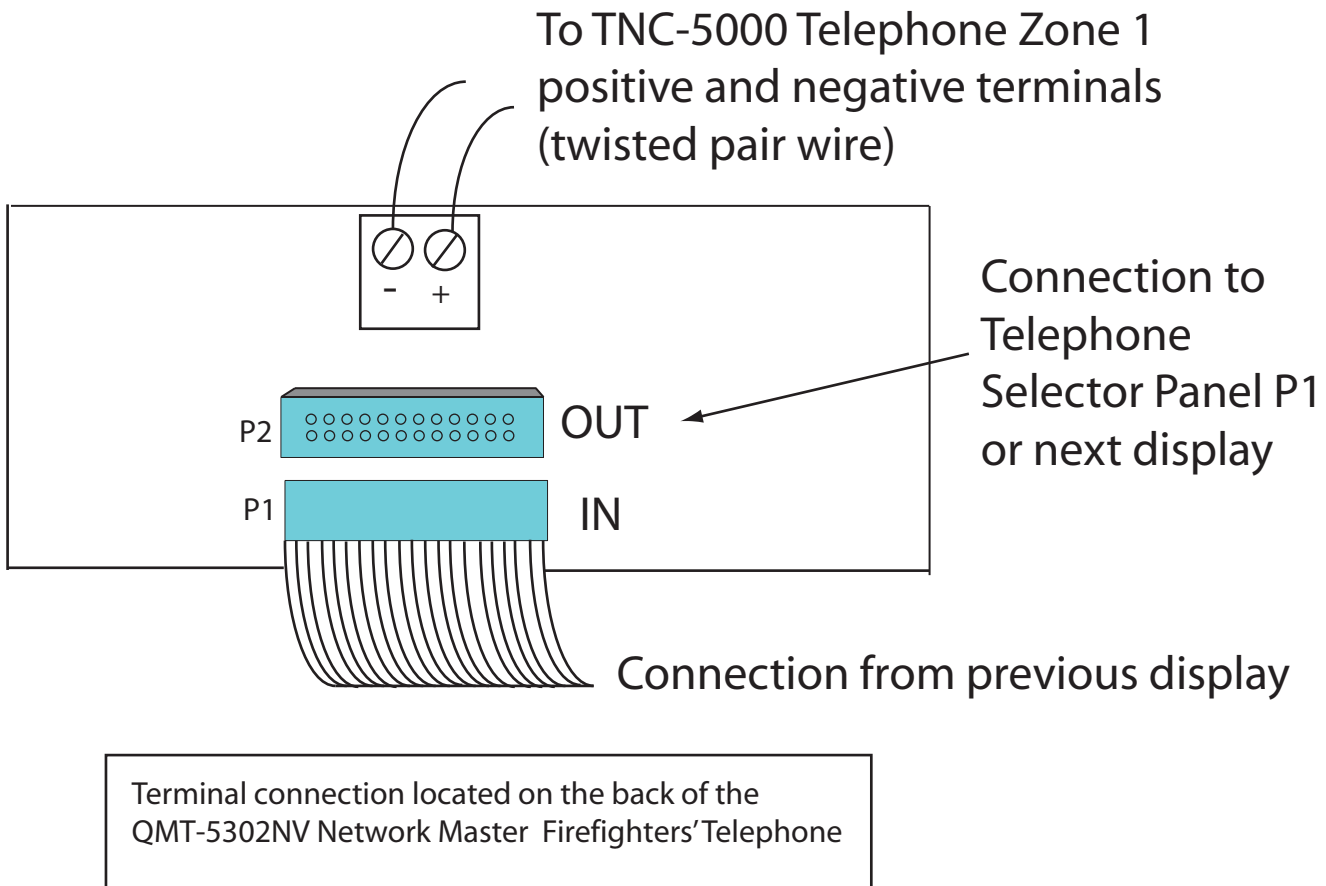
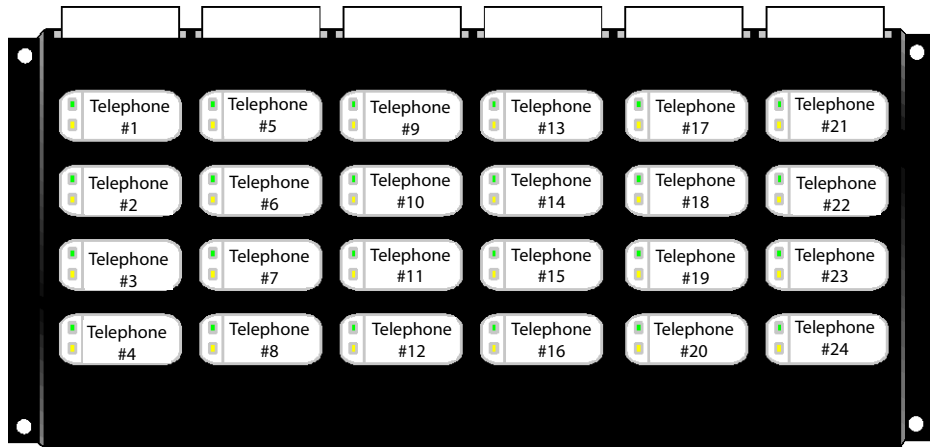


Figure 5: QAZT-5302/DS Network Firefighters' Telephone Selector Panel

Each QAZT-5302/DS annunciates and controls up to 24 telephone zones. There is one button and two LEDs per zone. The lower amber LED indicates zone trouble. The upper green LED indicates whether that zone is selected for telephone communication.

Press the button to turn the selection for telephone communication for that zone ON and OFF.

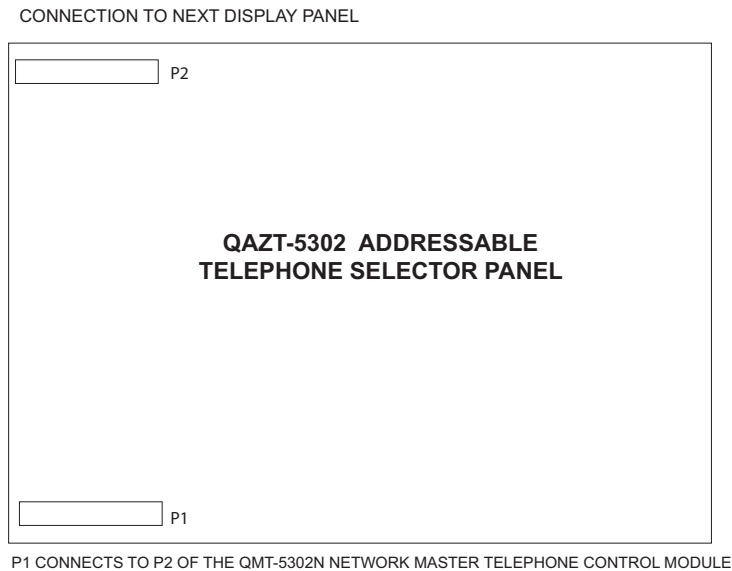


Note: Use configurator to set up the QAZT-5302/DS Telephone Zone Selector Panels.

QAZT-5302/DS Network Firefighters' Telephone Selector Panel

Connect the first QAZT-5302/DS Network Firefighters' Telephone Selector panel to the master telephone by connecting P1 cable into P2 on the QMT-5302NV Master Telephone. P2 of the QAZT-5302/DS is connected to P1 of the next display panel (up to six total).

Figure 6: QAZT-5302/DS Telephone Selector Board



Note: All panels such as QMP-5101NV Network Master Paging Control Module, the QMT-5302NV Network Master Firefighters' Telephone Control Module, the IPS-2424/DS display module and the paging or telephone selector panel QAZT-5302/DS are daisy chained together starting from the Network display module, DSPL-420, DSPL-2440, RAXN-LCD or RAXN-LCDG. Total number of boards allowed in the daisy chain connection is 6 (12 frames).

Telephone Operation

1. When any telephone zone rings (the local buzzer sounds intermittently, and the green zone LED and Incoming Call LED flash) press that zone's button (on the selector panel QAZT-5302/DS) once to answer. Once any one zone has been answered, calls from any other zone will cause that zone's green LED and the Incoming Call LED at the master telephone to flash and the buzzer will sound.
2. Press the answered zone's button once again to hang up. (Note that the telephone zone will hang up automatically if all handsets on the zone are placed back on the hook.)
3. Press DESELECT ALL to disconnect all connected telephones zones.

QMT-5302NV Master Telephone LEDs

Trouble LED

This LED will flash amber if there is any zone or other trouble in the firefighters' telephone system.

Incoming Call LED

This LED will flash green if any telephone zone has a handset off-hook and unanswered. It will illuminate steady green if all telephone zones with off-hook handsets have been answered.

Call Control Active LED

This LED will illuminate when there is a connection between the designated Master Telephone (at the CACF) and the present QMT-5302NV telephone.

QMT-5302NV Master Telephone Pushbutton Controls

Call Control

Pressing this pushbutton will connect this telephone with the designated Master Telephone (possibly at the Central Alarm and Control Facility (CACF)).

Deselect All

Pressing this pushbutton will disconnect all selected telephone zones.

QAZT-5302/DS Network Firefighters' Telephone Selector Panel LEDs

Telephone Zone Green LED

This LED will flash green if there is any handset off-hook on that zone, and the zone has not been answered by pressing the zone's button. Once answered, the LED will be steady green.

Telephone Zone Amber LED

This LED will flash amber to indicate trouble on open-circuit zone faults (e.g. missing end-of-line resistor or wire breaks) or short-circuit zone faults.

QAZT-5302/DS Network Firefighters' Telephone Selector Panel Pushbutton Controls

Telephone Selection Pushbutton

Pressing the telephone selector pushbutton will select the associated telephone to be connected to the Master Telephone. Pressing this button a second time will hang up.



CANADA - Main Office
25 Interchange Way
Vaughan, ON L4K 5W3
Tel: (888) 660-4655
(905) 660-4655
Fax: (905) 660-4113

U.S.A
4575 Witmer Industrial Estates
Niagara Falls, NY 14305
Tel: (888) 660-4655
(905) 660-4655
Fax: (905) 660-4113

TECHNICAL SUPPORT
North America
Tel: (888) Mircom5
(888) 647-2665
International
Tel: (905) 647-2665

© MGC 2012
Printed in Canada
Subject to change without prior notice
www.mircomgroup.com