

# Microphone Wiring Instructions



Wiring for a Single Microphone Application:

## Instructions

1. Use shielded twisted pair for microphone wiring.

**Note:** Shielded twisted pair not required for PTT.

2. Revision F and later of MD-1016 have a gain of 10x to increase the overall signal-to-noise performance. Therefore, the ANC-5000 must use the 1x gain setting by opening jumpers JW7 and JW8.

If replacing MD-1016: For revisions A to E in a single microphone application, see LT-6047 Rev. A-E.

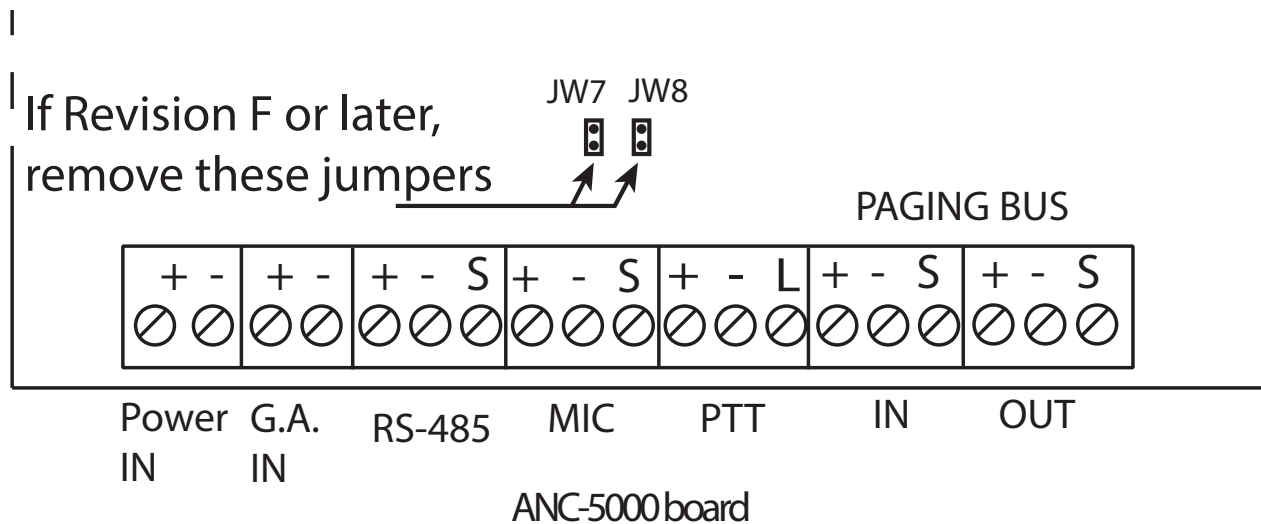
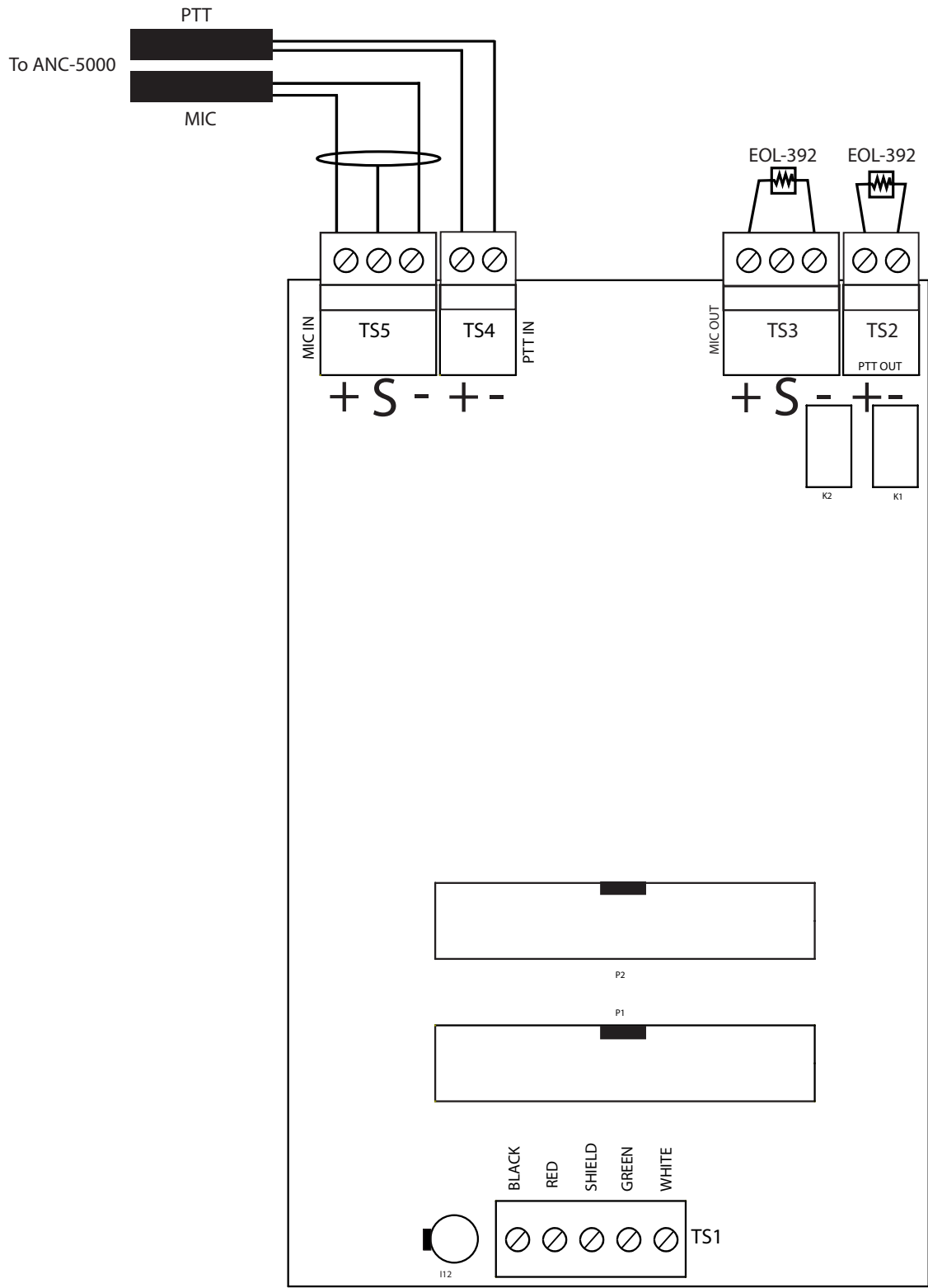
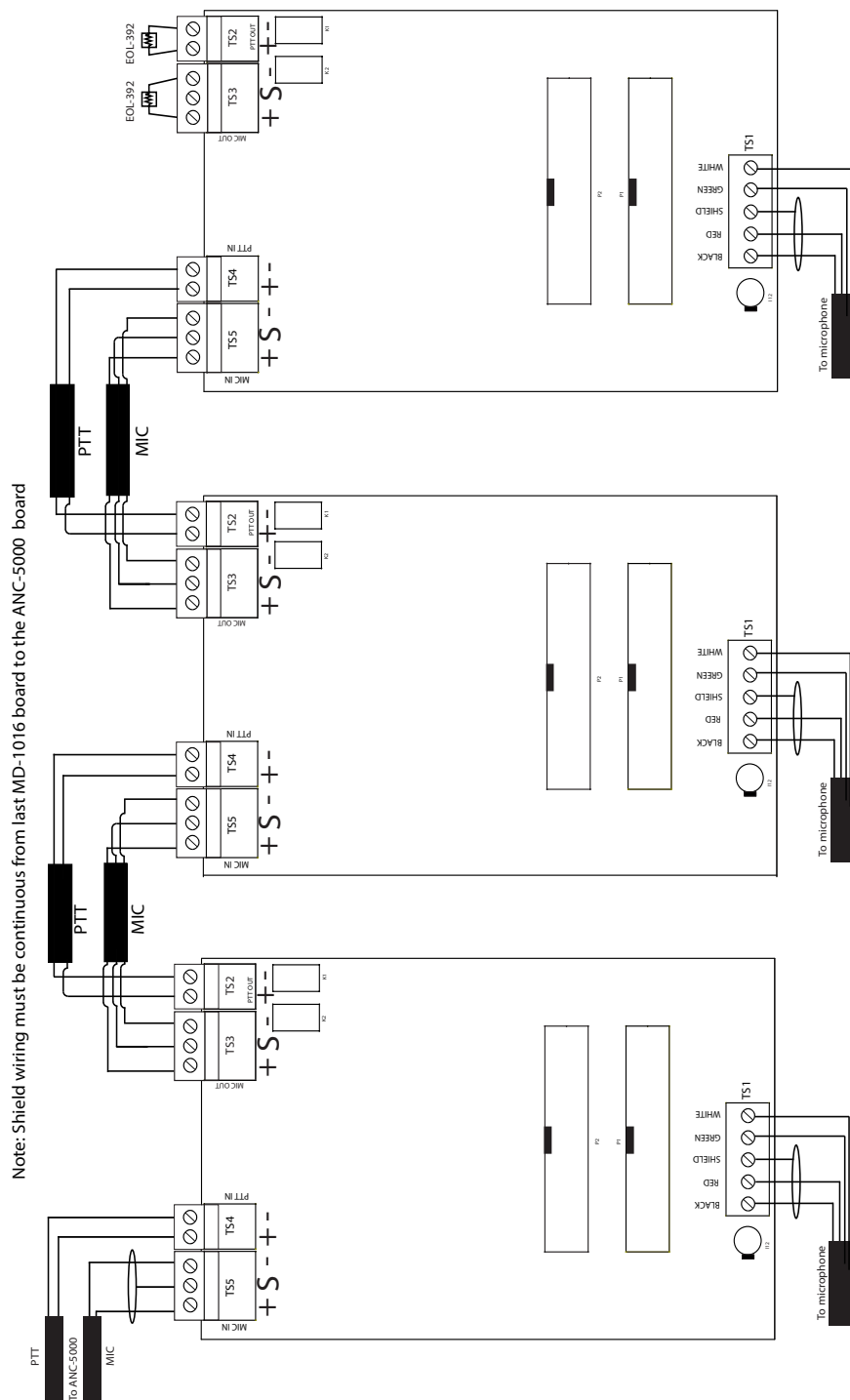


Figure A: Jumpers JW7 and JW8 on ANC-5000 board



**Figure B: Single Microphone Application**

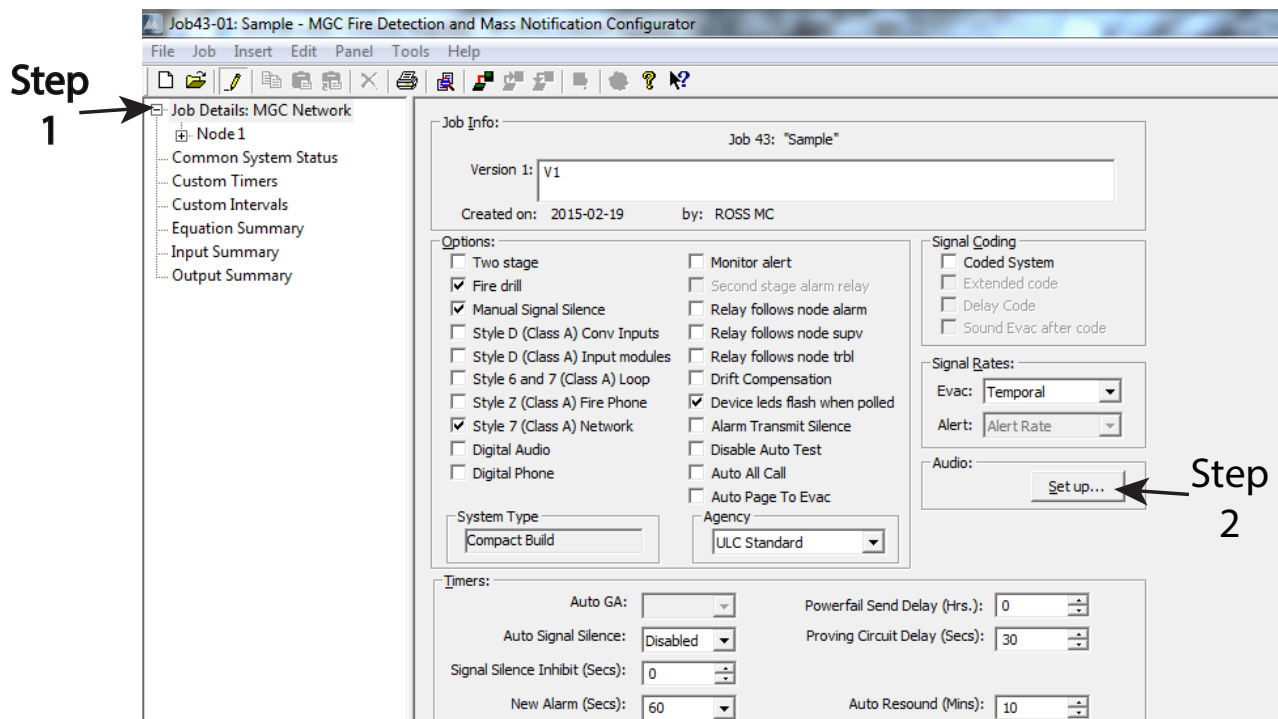
**Note:** No wiring changes required for TS1.



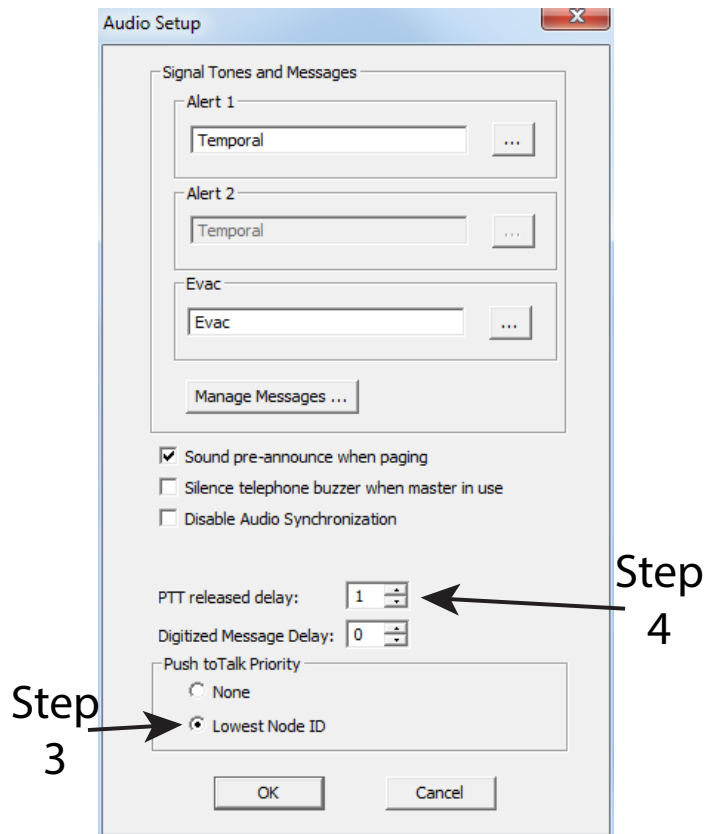
**Figure C: Multiple Microphone Application**

### Configurator Software

1. Open job details menu in the configurator.
2. Left click audio set up button to open audio set up window.



3. Select Lowest Node ID to give priority to the master microphone.

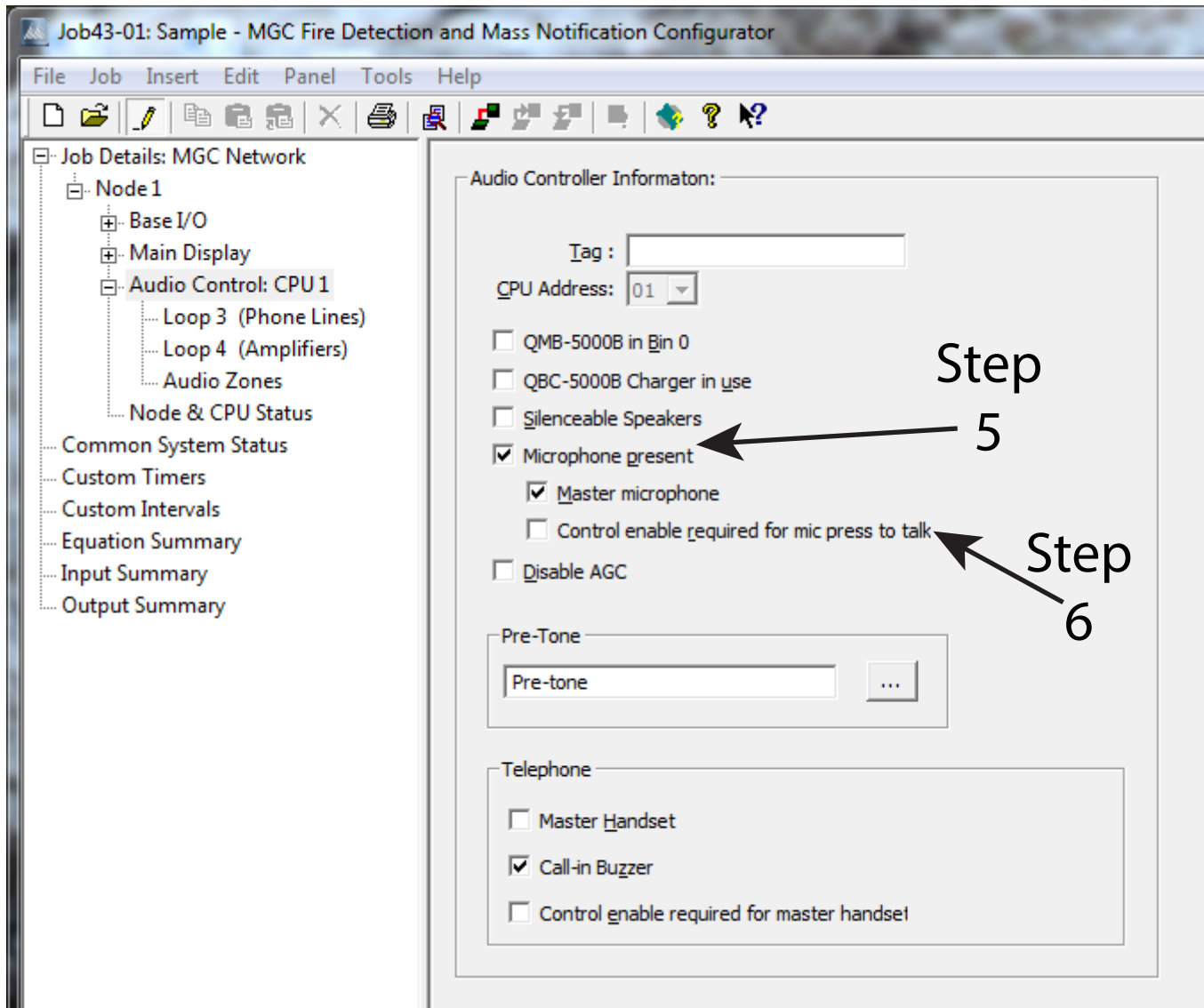


4. PTT default setting is 5 seconds, this option can not be turned off. The best option is to set the release delay to 1 second.

**Note:** PTT Release Delay is a user defined timer that begins its countdown following the release of the PTT. While this timer is running, the system status 'Page Ready' LED remains on. Also, the Page Ready status is sometimes used to drive output signals such as strobes to accommodate certain emergency response plans.

5. Check "Microphone Present to specify that a microphone is wired into the audio card".

**Note:** Check "Master microphone" if this card is the master microphone. There can be only one master microphone per job.



6. For multiple microphone setup, check "Control enable required for mic press to talk" to display multiple 'microphone present' option checkboxes.