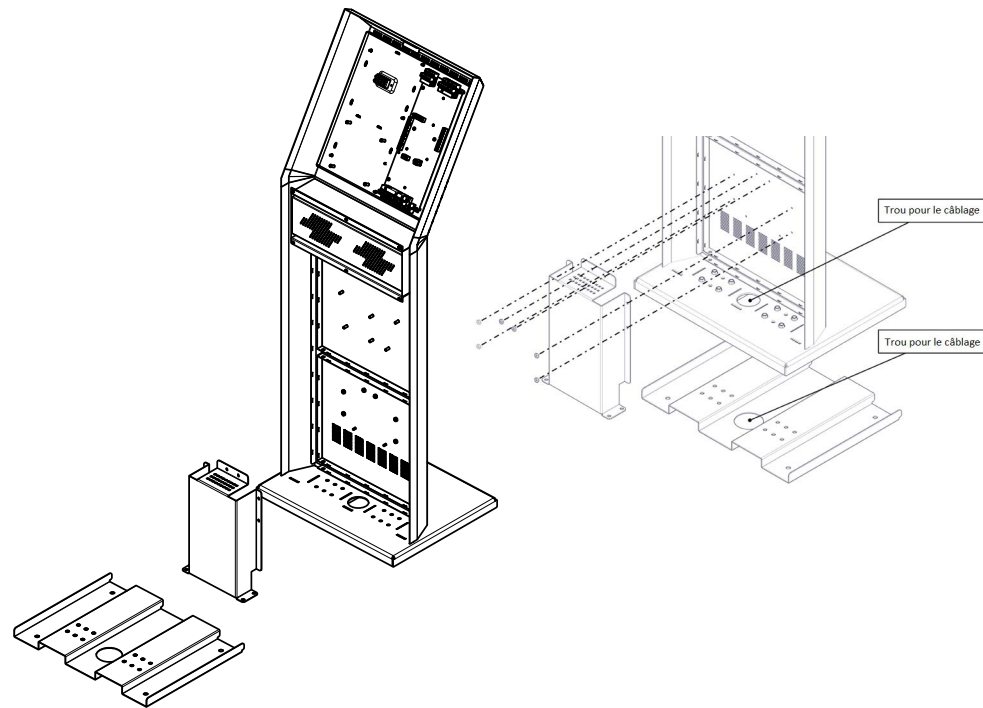


Figure 1: Dimensions

5SPV...
 -FL...
 EhVOFTPVSDFe...
 BVYD...
 EBOTM...

7PVTBVS...
 4 boVMPOT...
 FOUSFSEBOT...
 FEFEN...



1 RE500-16110350305

5SPV...
 -FL...
 ReUFSMB...
 ReUFSMFT...

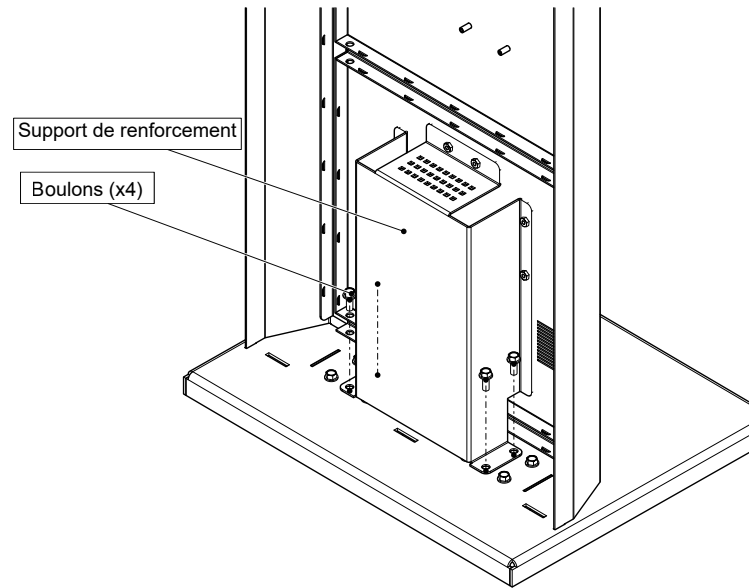


Figure 3: BoVMPOT...

4. ReUFSMFTT...

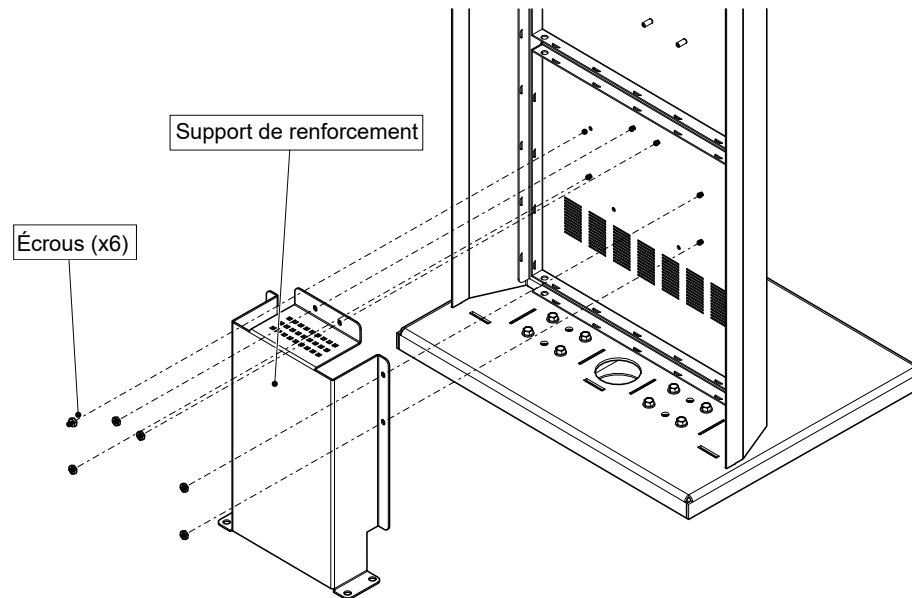


Figure 4: 4V...SUEFSFOG...

2 RE500-1600

1. ReUFSMFTT...

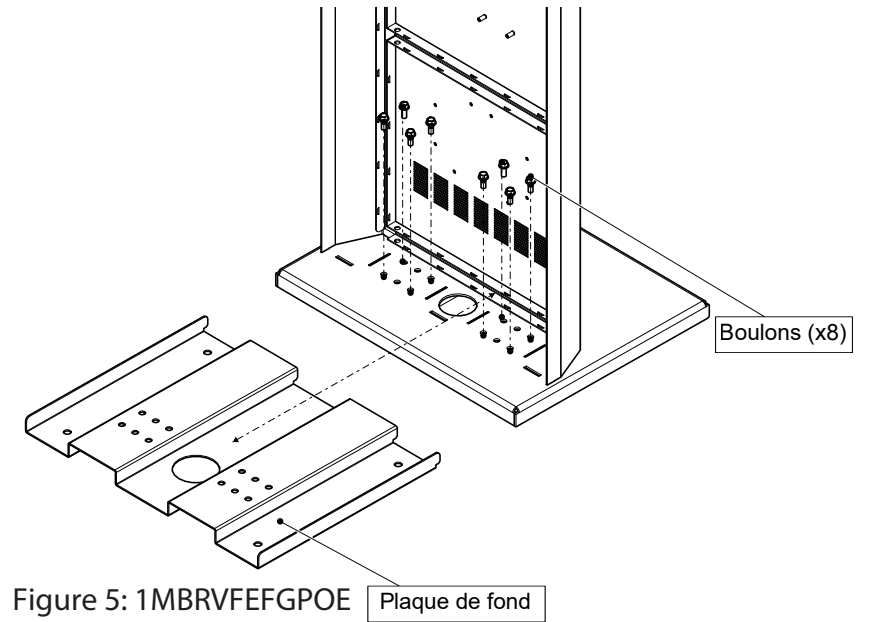


Figure 5: 1MBRVFEFGPOE

-FTEPV...
 GAVSF

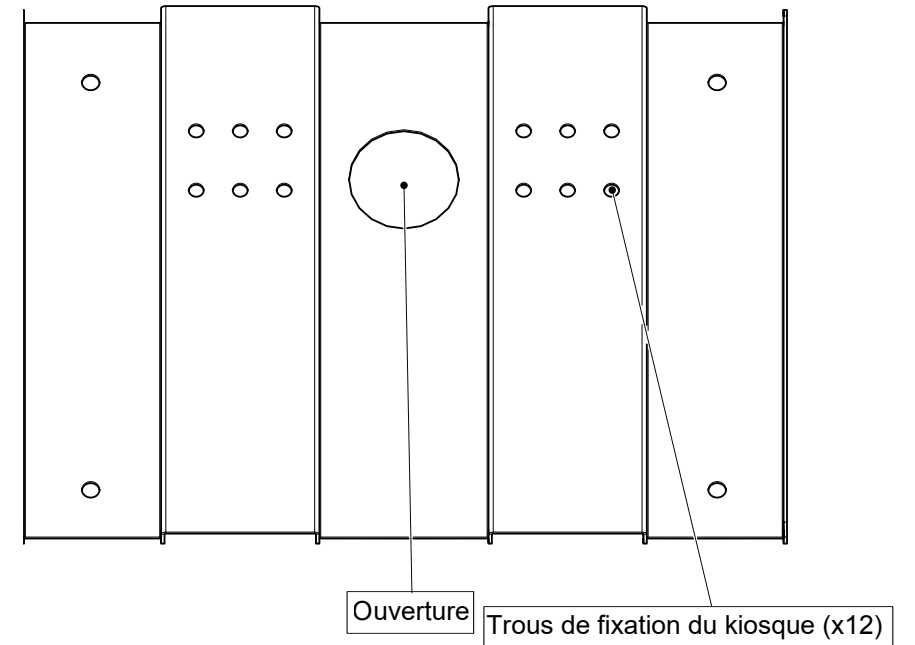


Figure 6: 5SPVTEFG...
 EBOTM...
 MBRVFEFGPOE

3 ATTACH THE BASE PLATE TO THE FLOOR

1. Ensure that the base plate is aligned with the electrical conduit.
2. Using the Kiosk base plate as a template, trace an opening in the floor for the cutout and mark the 4 base plate mounting hole locations as shown in Figure 7.

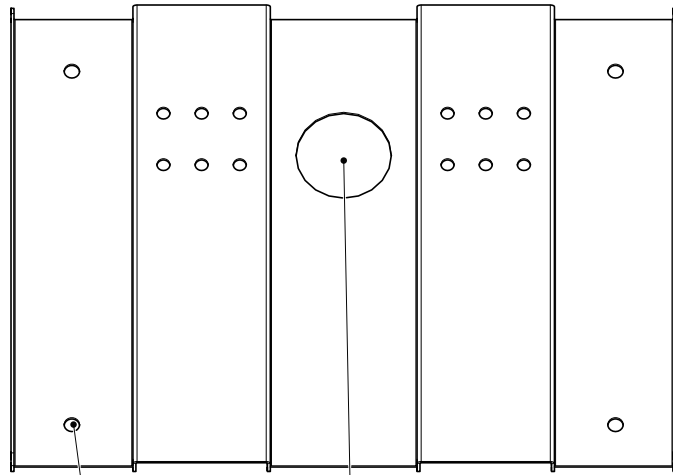


Figure 7: Base plate mounting holes

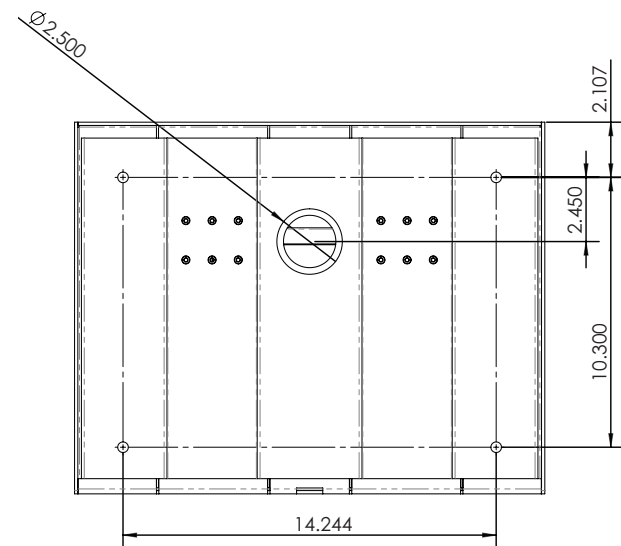


Figure 8: Base plate dimensions (inches)

3. Cut an opening in the floor for the electrical and communication cables.
4. Run the wires through the base plate opening.
5. Secure the base plate to the floor using 4 bolts in the base plate mounting holes shown in Figure 7. The holes are 0.406" in diameter.

4 FIT THE KIOSK ON THE BASE PLATE

1. Fit the back lip of the Kiosk into the notches in the baseplate, and tilt the Kiosk forwards so that it rests on top of the base plate.

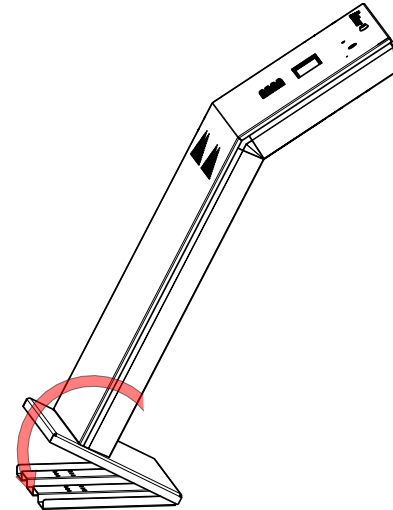


Figure 9: Fitting the Kiosk on the base plate

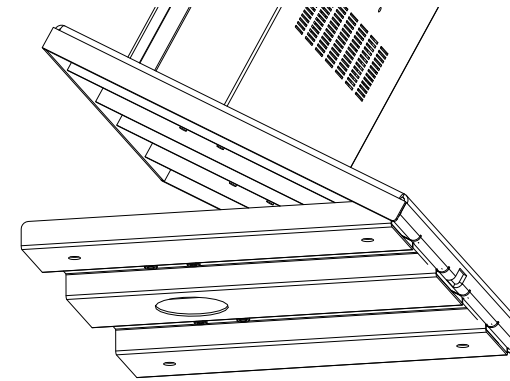


Figure 10: Fitting the Kiosk on the base plate (from below)

2. Secure the Kiosk onto the base plate using the 8 of the 12 base plate bolts in the holes shown in Figure 11.

Attach the Kiosk to the base plate with bolts in these holes first

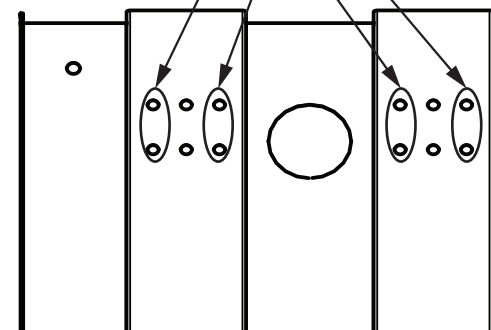


Figure 11: Attach the kiosk to the base plate

3. Position the reinforcement bracket over the 6 studs on the inside of the Kiosk, and screw the 6 nuts on to the studs as shown in Figure 4.
4. Secure the reinforcement bracket to the base plate using the remaining 4 base plate bolts in the remaining 4 holes in the base plate.