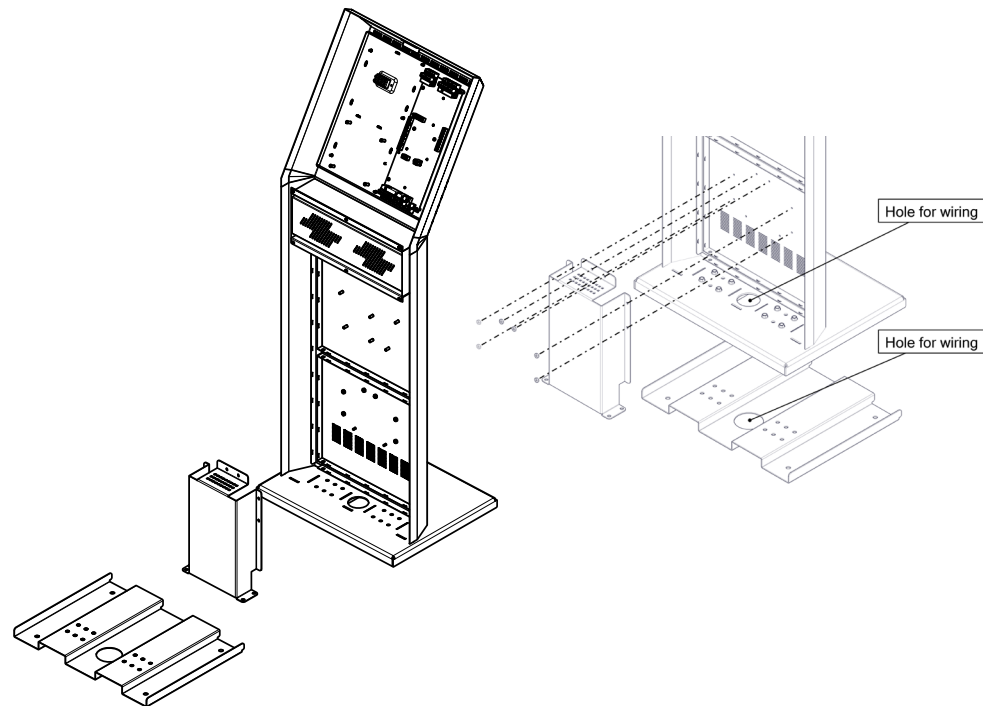


Figure 1: 8 Line Kiosk Dimensions (inches)

The Kiosk mounts to the floor inside the building near the entrance, close to the power source and telephone infrastructure. Access for the power and communication cables is provided through a cutout in the base plate.

You will need:

4 bolts to attach the base plate to the floor. The bolts need to fit holes that are 0.406" in diameter.



## 1 REMOVE THE REINFORCEMENT BRACKET

1. Find a suitable location for the Kiosk next to the building entrance and above the building electrical and communications conduit.
2. Remove the door from the Kiosk.
3. Remove the 4 bolts from the reinforcement bracket.

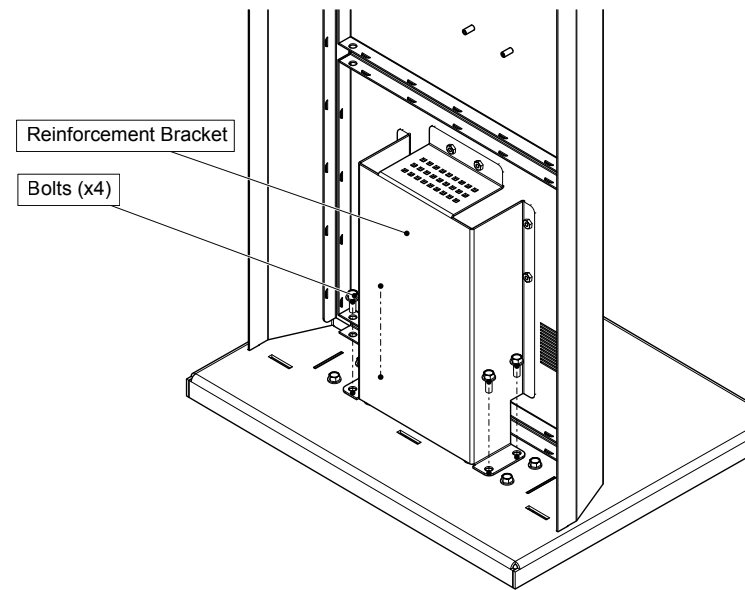


Figure 3: Bolts holding the reinforcement bracket

4. Remove the 6 nuts on the reinforcement bracket, as shown in Figure 4, and then remove the bracket.

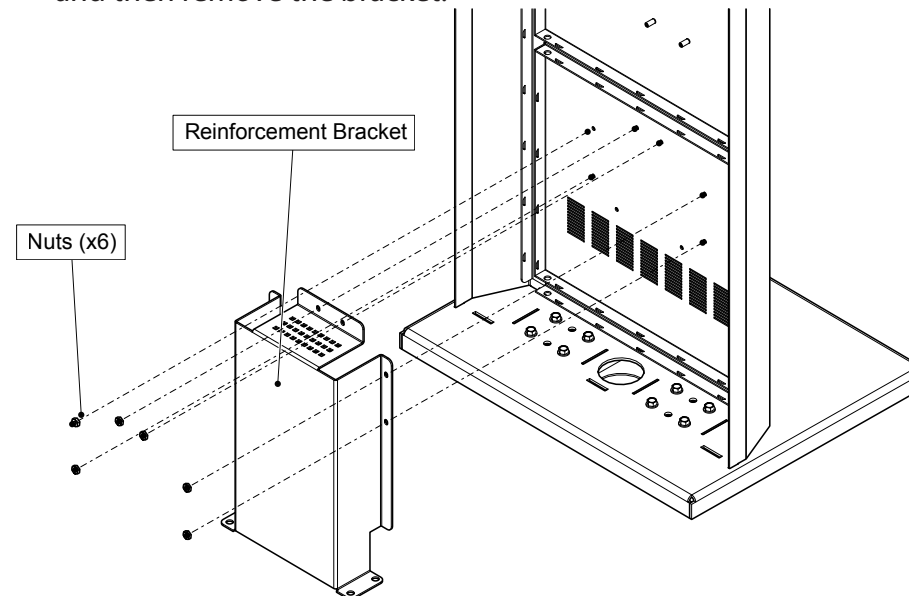


Figure 4: Reinforcement bracket

## 2 REMOVE THE BASE PLATE

1. Remove the remaining 8 bolts that attach the Kiosk to the base plate.

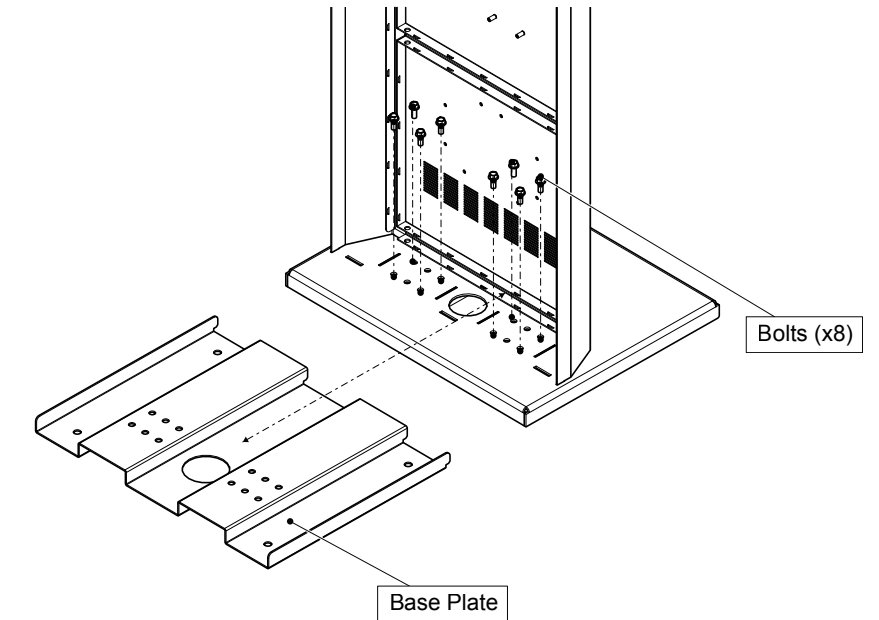


Figure 5: Base plate

The 12 Kiosk mounting holes in the base plate are shown in Figure 6.

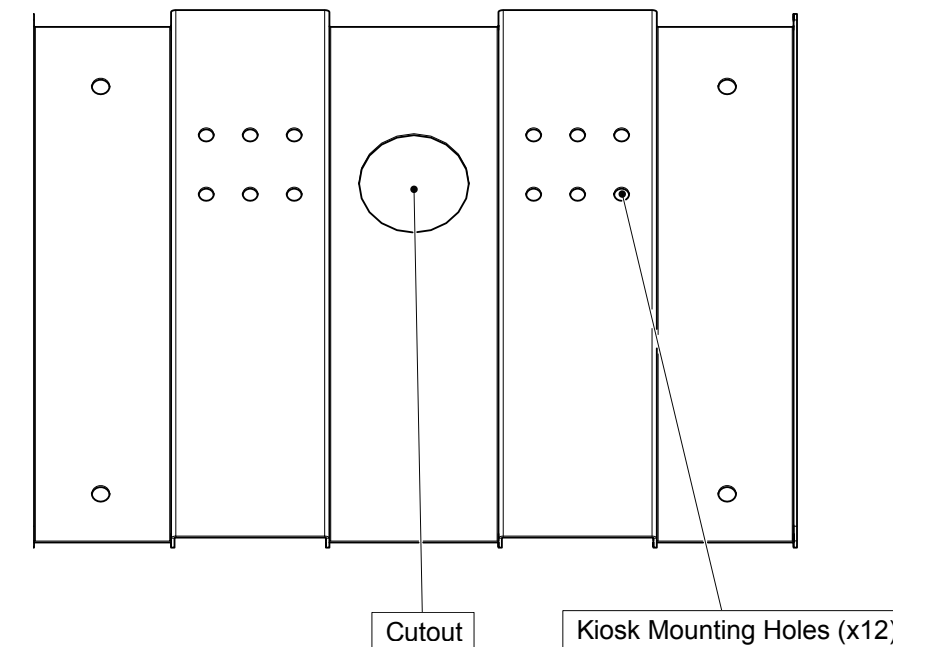


Figure 6: Mounting holes in the base plate

### 3 ATTACH THE BASE PLATE TO THE FLOOR

1. Ensure that the base plate is aligned with the electrical conduit.
2. Using the Kiosk base plate as a template, trace an opening in the floor for the cutout and mark the 4 base plate mounting hole locations as shown in Figure 7.

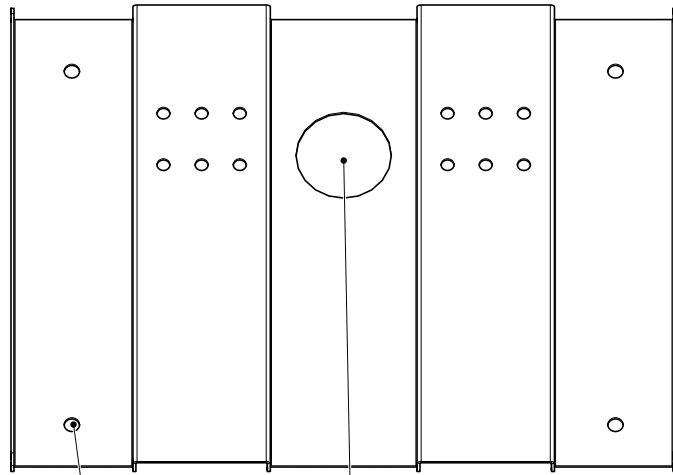


Figure 7: Base plate mounting holes

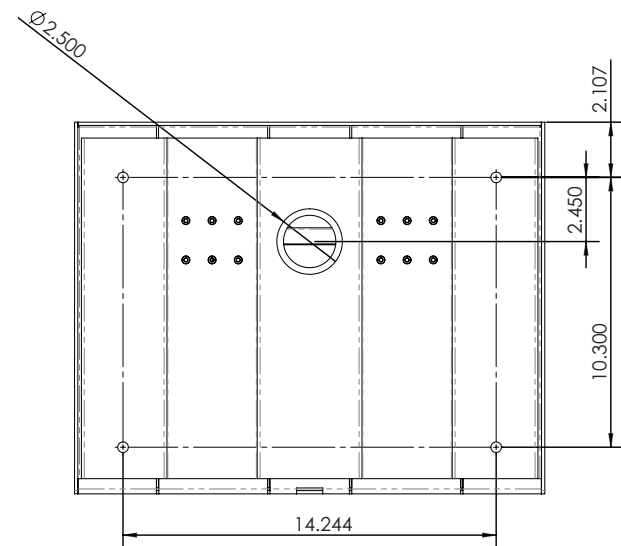


Figure 8: Base plate dimensions (inches)

3. Cut an opening in the floor for the electrical and communication cables.
4. Run the wires through the base plate opening.
5. Secure the base plate to the floor using 4 bolts in the base plate mounting holes shown in Figure 7. The holes are 0.406" in diameter.

### 4 FIT THE KIOSK ON THE BASE PLATE

1. Fit the back lip of the Kiosk into the notches in the baseplate, and tilt the Kiosk forwards so that it rests on top of the base plate.

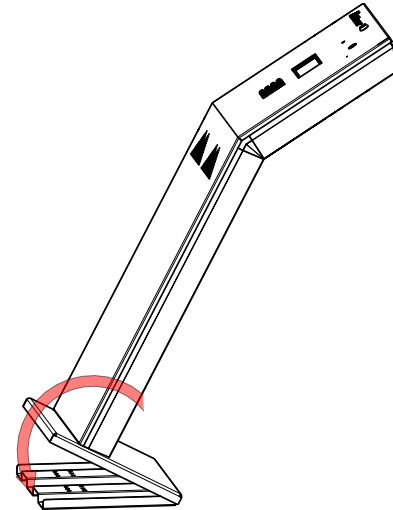


Figure 9: Fitting the Kiosk on the base plate

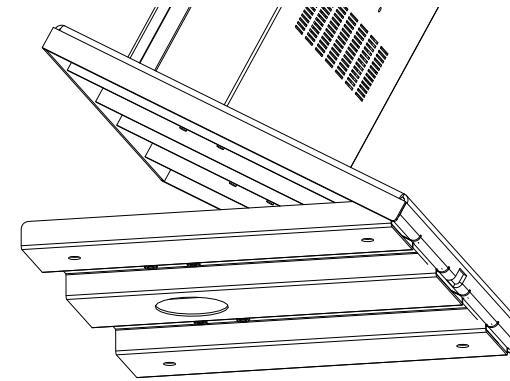


Figure 10: Fitting the Kiosk on the base plate (from below)

2. Secure the Kiosk onto the base plate using the 8 of the 12 base plate bolts in the holes shown in Figure 11.

Attach the Kiosk to the base plate with bolts in these holes first

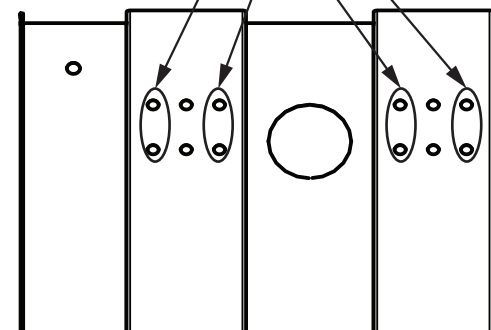


Figure 11: Attach the kiosk to the base plate

3. Position the reinforcement bracket over the 6 studs on the inside of the Kiosk, and screw the 6 nuts on to the studs as shown in Figure 4.
4. Secure the reinforcement bracket to the base plate using the remaining 4 base plate bolts in the remaining 4 holes in the base plate.