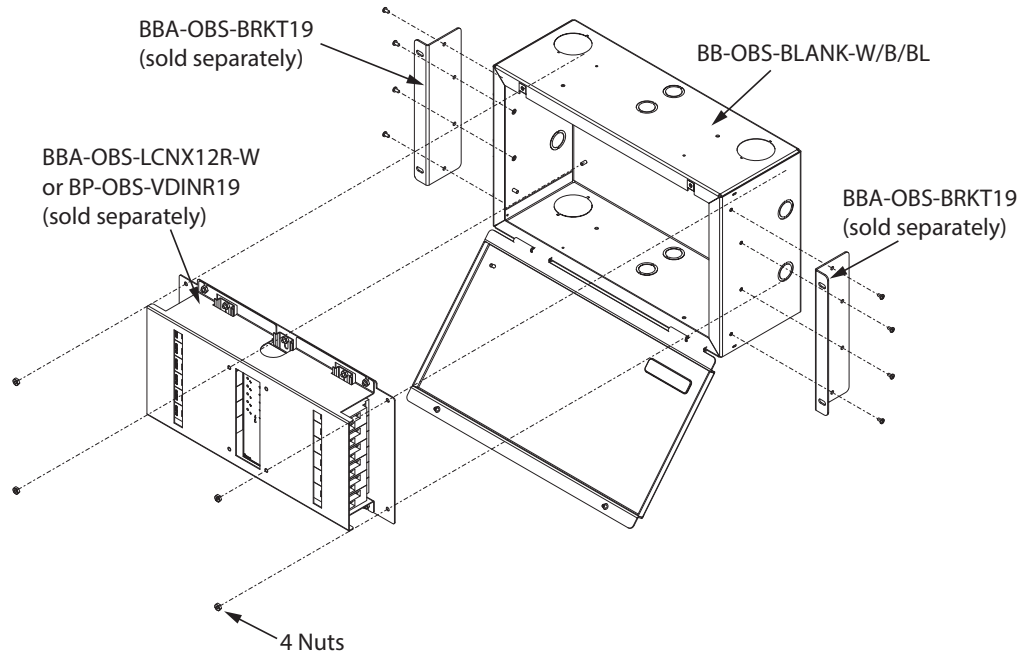
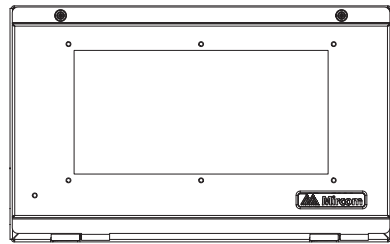


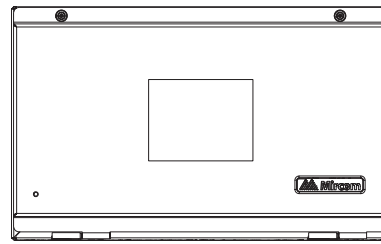
OpenBAS Indoor Enclosures



Two other models of enclosure are available:



BB-OBS-BLANK-WIN-W/B/BL



BB-OBS-BLANK-TS43-W/B/BL

NOTES:

Type 1 enclosure

Installation must be in accordance with Section 314.28 of the National Electrical Code, ANSI/NFPA 70

“W” indicates white paint colour, “B” indicates black and “BL” indicates blue

Accessories (sold separately)

