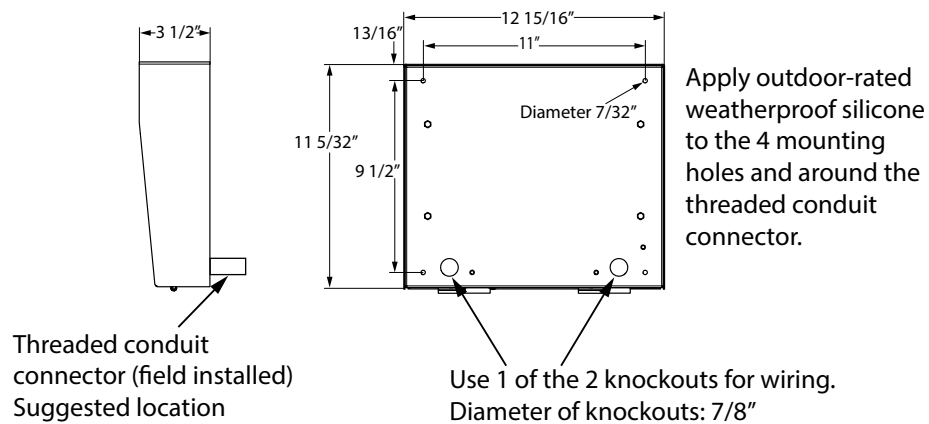
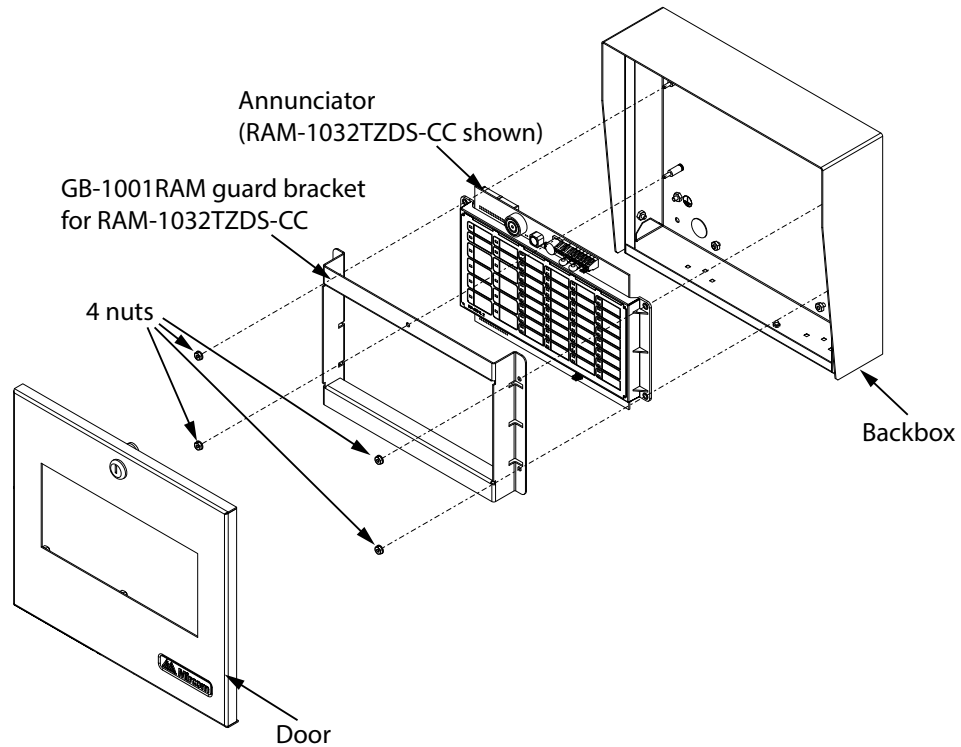


BB-1001WP(R)A and BB-1002WP(R)A Weather Protected Enclosures

Rated for Outdoor Environment Wet Location according to UL 864 and ULC-S527

122 °F (+50 °C) to -40 °F (-40 °C)

BB-1001WP(R)A



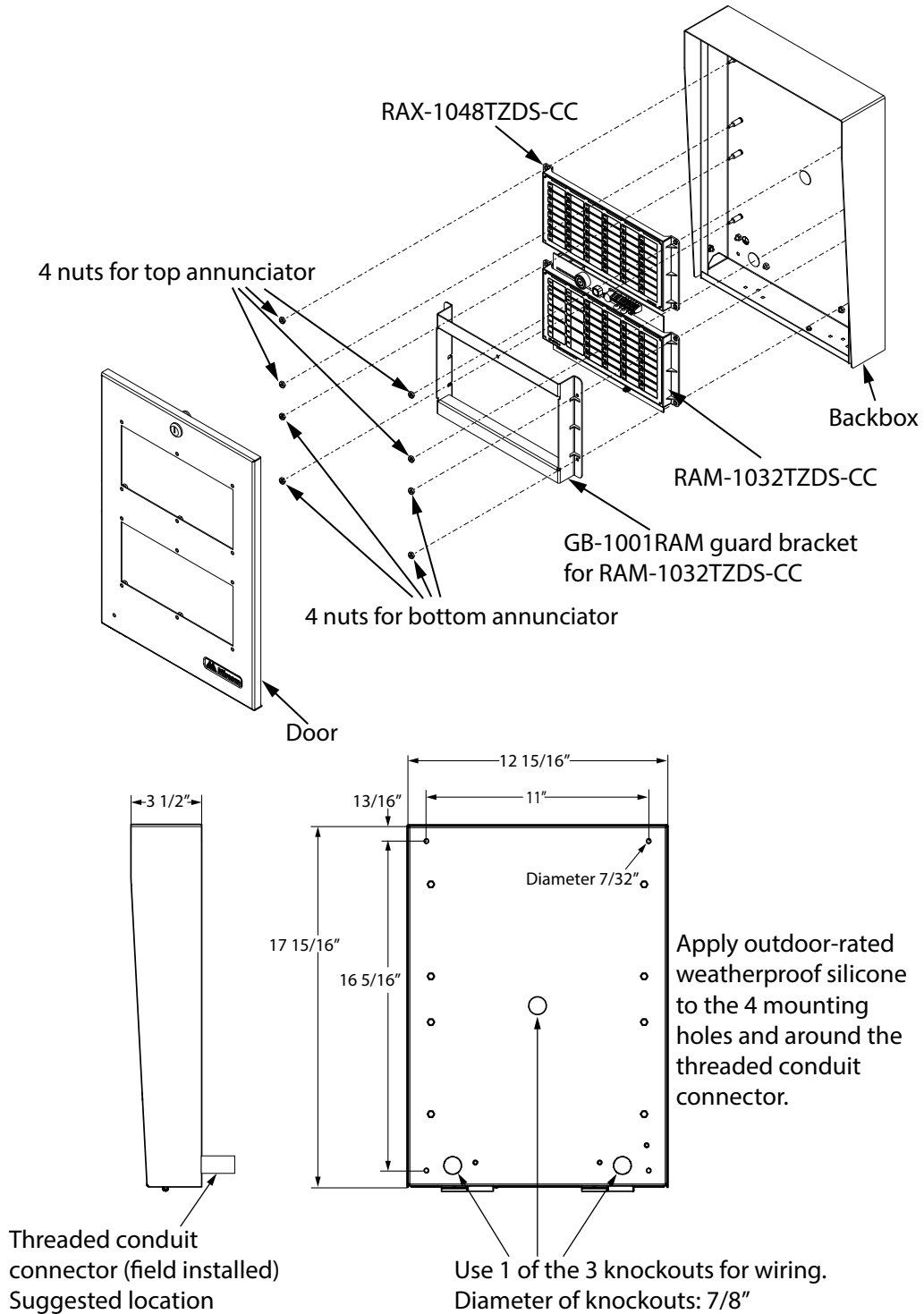
Notes: BB-1001WPA is a white model. BB-1001WPRA is a red model.
Connect chassis ground stud to earth ground.

To prevent water from entering the box:

- Use a threaded conduit connector to provide entry for cables.
- Apply outdoor-rated weatherproof silicone to the 4 mounting holes and around the threaded conduit connector.

Refer to RAM-1032TZDS in LT-617 RA-1000 Series Manual for wiring instructions, DIP switch settings, and operation.

BB-1002WP(R)A



Notes: BB-1002WPA is a white model. BB-1002WPRA is a red model.
Connect chassis ground stud to earth ground.

To prevent water from entering the box:

- Use a threaded conduit connector to provide entry for cables.
- Apply outdoor-rated weatherproof silicone to the 4 mounting holes and around the threaded conduit connector.

Refer to RAM-1032TZDS and RAX-1048TZDS in LT-617 RA-1000 Series Manual for wiring instructions, DIP switch settings, and operation.