

RB-MAM-3318 Replacement Main Display for FX-3318 Fire Alarm Control Panel

The RB-MAM-3318 kit comes with all the parts needed to replace a damaged MAM-3318 Main Display on an FX-3318 Fire Alarm Control Panel.

Parts List

- Qty 1 ... MAM-3318 Main Display
- Qty 4 ... #6-32 0.25" screws
- Qty 1 ... NP-008117 Insert sheet for labels

Installing the MAM-3318 Main Display

To install the MAM-3318 you must:

- A. Power down the FX-3318
- B. Replace the MAM-3318
- C. Power up the FX-3318

Refer to the sections below for details on how to perform each step.

A. Power down the FX-3318

1. Disconnect the backup batteries.
2. Disconnect the AC power going to the FX-3318 panel.

B. Replace the MAM-3318

1. Disconnect the ribbon cable connected to P4 on the damaged MAM-3318 main display (refer to Figure 1).
2. Disconnect the ribbon cable connected to P2 on the damaged MAM-3318 main display.
3. Remove the screws securing the MAM-3318 to the deadfront (see Figure 2).
4. Remove the damaged MAM-3318 and replace it with the new MAM-3318.
5. Attach the new MAM-3318 with either the screws provided or the screws you removed in step 3.
6. Connect the ribbon cable from the main panel to P4 on the MAM-3318.
7. Connect the ribbon cable from the adder annunciator board that you removed in step 2 to P2 on the MAM-3318.

C. Power up the FX-3318

1. Connect the AC power to the FX-3318 panel.
2. Connect the backup batteries.

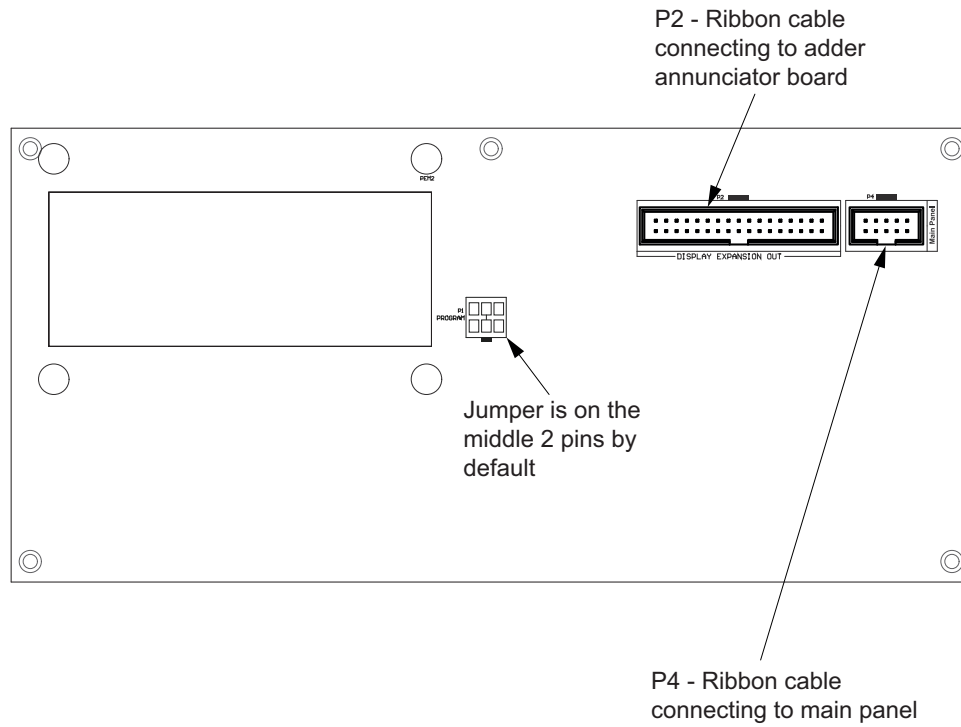


Figure 1: Locations of connectors on the MAM-3318.

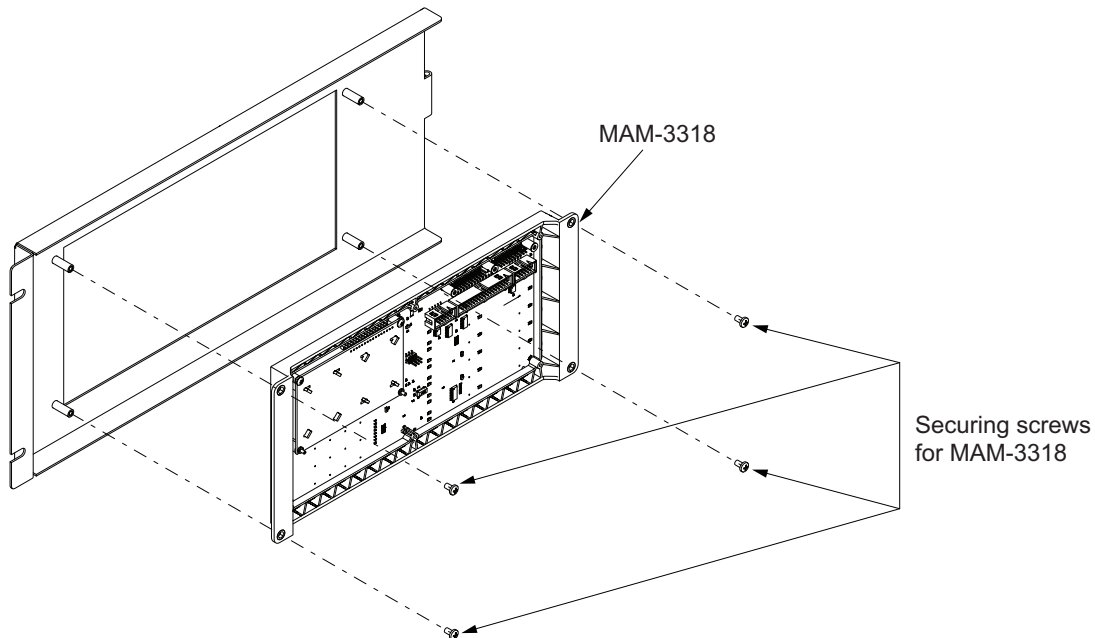


Figure 2: Location of MAM-3318 on the FX-3318 deadfront.