

Mircom
<http://www.mircom.com>
 CANADA - Main Office
 25 Interchange Way
 Vaughan, ON L4K 5W3
 Tel: (888) 660-4655
 (905) 660-4655

U.S.A.
 4575 Witmer Industrial Estates
 Niagara Falls, NY 14305
 Tel: (888) 660-4655
 TECHNICAL SUPPORT
 Tel: 1-888-647-2665

For more details, see LT-996 and LT-969 on the Mircom website and the USB flash.
 Mircom technical support: 1-888-647-2665

1 Mount the Enclosure

The enclosure mounts on the wall. Mount the enclosure right-side up (the Mircom logo on the door is in the lower right corner).

You need:

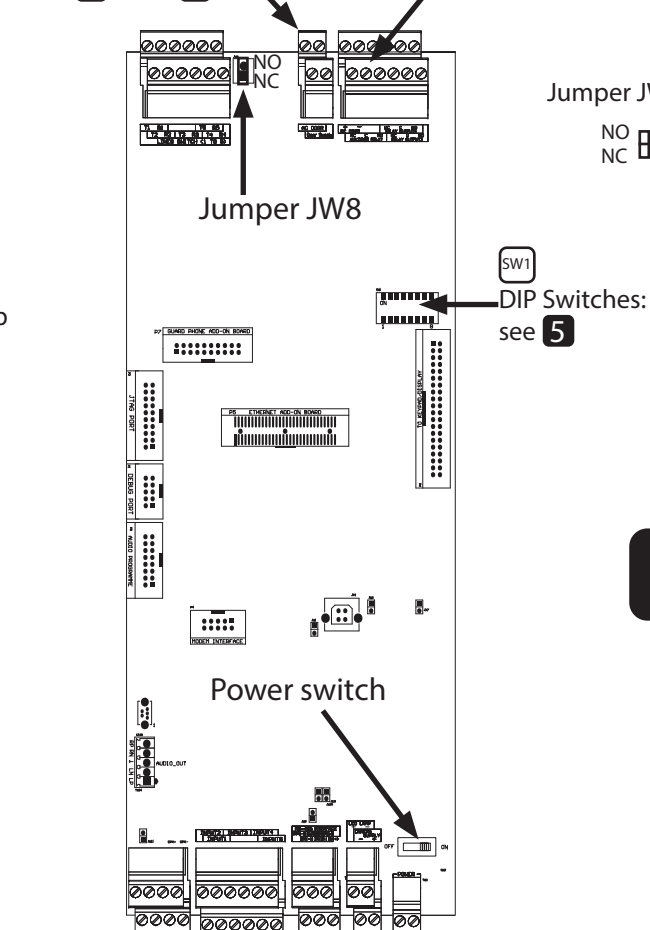
4 fasteners appropriate for the wall that you are mounting the enclosure on.

1. Find a suitable location for the enclosure.
2. Mark the back mounting locations of the two top screws. Ensure that at least one screw is over a wall stud.
3. Place the fasteners halfway into the wall in the two top keyhole locations and wall stud.
4. Place the enclosure onto the fasteners, then lower it so that the fasteners fit in the narrow part of the keyholes.
5. Screw the other fasteners into the remaining holes.
6. Tighten all fasteners into place.

Installation Prerequisites

- Verify that the building telephone infrastructure is operational. When wiring an NSL installation it may be necessary to check each resident's line.
- Ensure there is a provision for a ground circuit. The Telephone Access System assembly must be grounded by a qualified electrician. An improperly grounded unit can result in equipment malfunction and void the warranty.
- Use the latest Telephone Access System controller firmware. Mircom periodically updates panel firmware and Configurator Software to add features and correct any minor inconsistencies. For information about the latest firmware or software visit the 'Manuals and Downloads' section of the Mircom website at www.mircom.com

AC or DC Door Strikes: see 2 and 3
 Auxiliary Door Strike: see 4



Warning: Turn the power off before wiring.
Install all power supplies outside the enclosure.

Wiring Requirements

Unless specified otherwise, all wiring is a maximum length of 1000 ft (304.8 m).

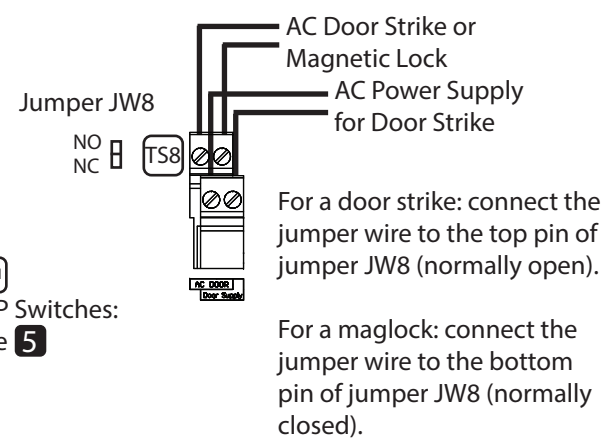
RS-485: Maximum total length: 4000 ft (1219.2 m)
 Use twisted shielded pair.

Door Strike: The door strike power supply depends on the door strike power requirements.

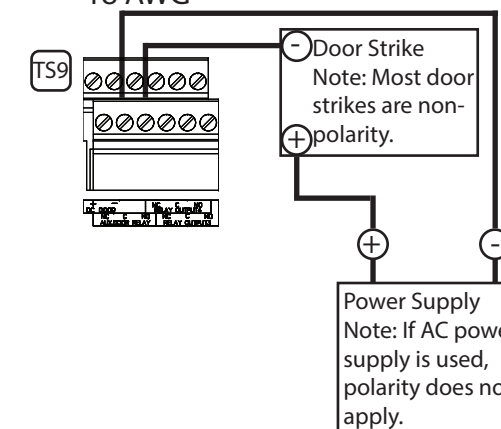
Maximum Power Supply Wire Distances

Gauge	Distance
16	125 ft (38.1 m)
14	200 ft (60.96 m)
12	320 ft (97.536 m)
10	500 ft (152.4 m)

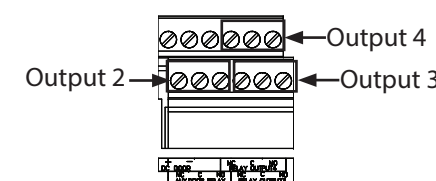
2 AC Door Strike or Maglock 18 AWG



4 Auxiliary Door (Output 2) 18 AWG

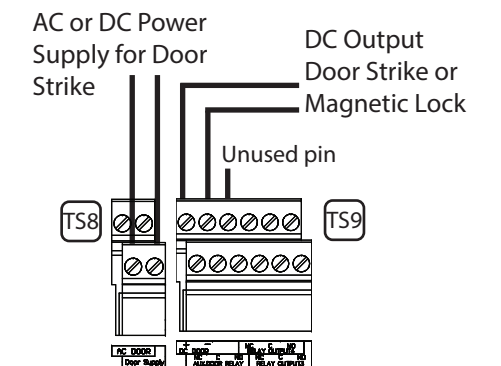


Outputs 2-4



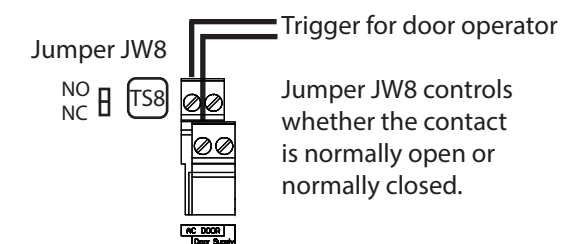
Contact ratings for outputs 2-4:
 125 VAC / 2 A
 30 VDC / 1 A

3 DC Door Strike (Output 1) 18 AWG



The maximum supply for the AC or DC Power Supply for Door Strike must not exceed:
 28 VAC / 1 A max
 30 VDC / 1 A max

Alternative Wiring for Dry Contact

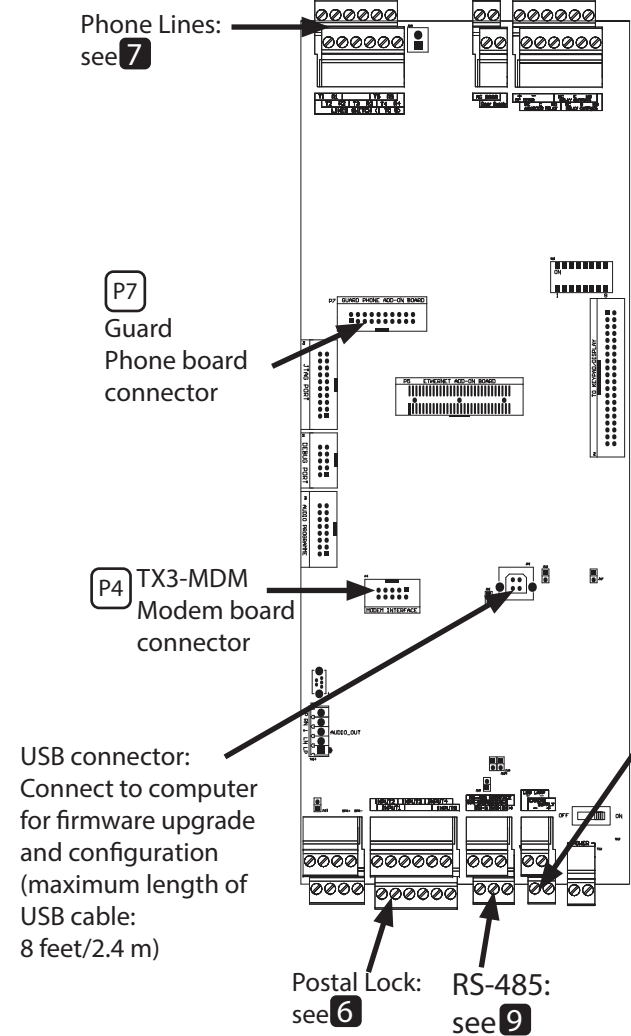


5 DIP Switch Settings for RS-485 Address

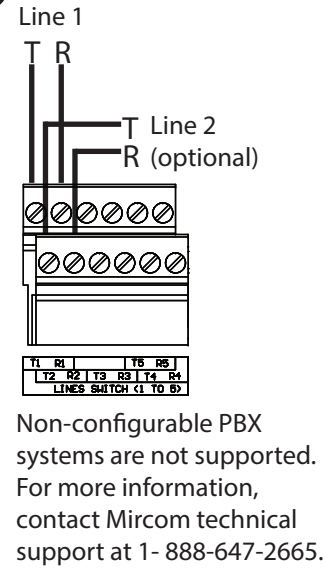


Each Touch Screen must have a unique RS-485 address. Use DIP switches 1-6 to set the RS-485 network address. See LT-969 for details. Leave DIP switch 7 on.

Warning: Turn the power off before wiring.

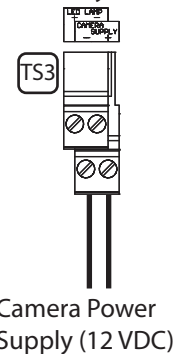


7 Phone Lines

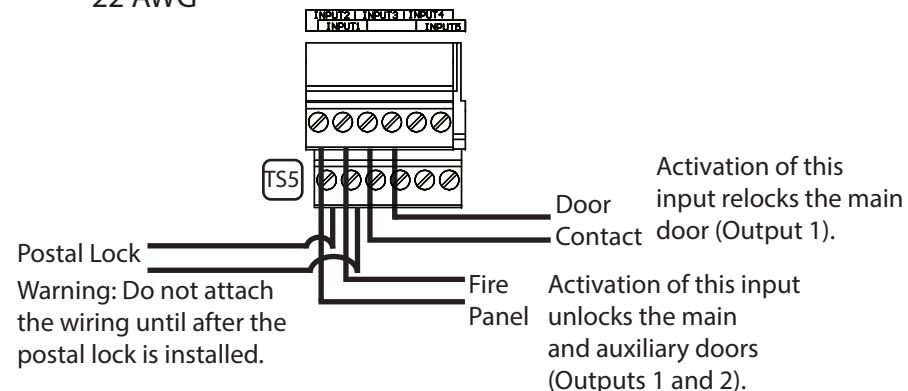


8 Camera Supply

Note: Do not use for any other purpose

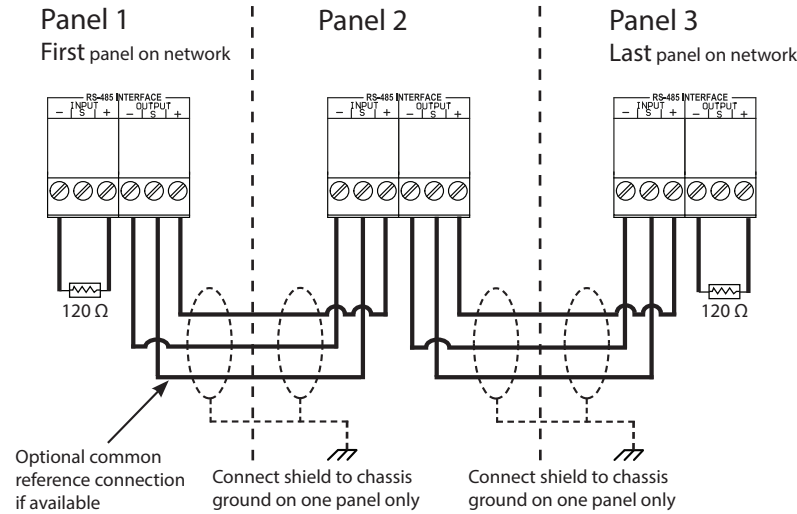


6 Postal Lock (Input 1) Fire Alarm Override (Input 2) Door Contact (Input 3) 22 AWG

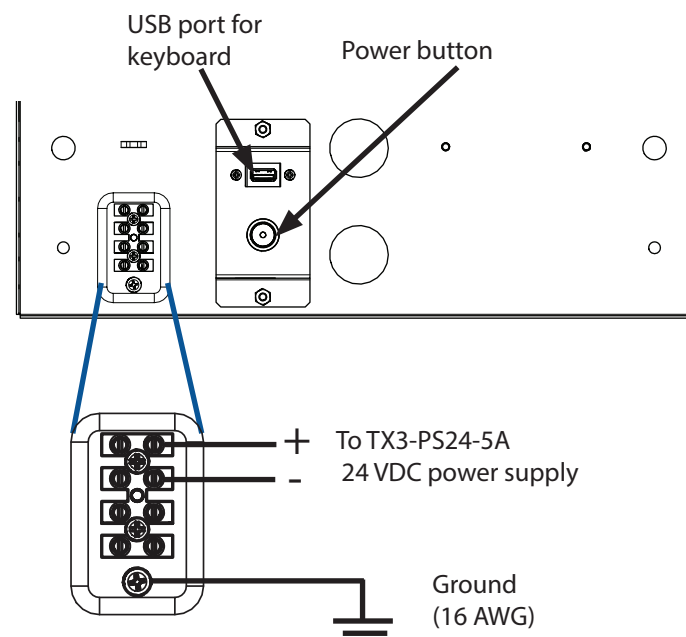


9 RS-485

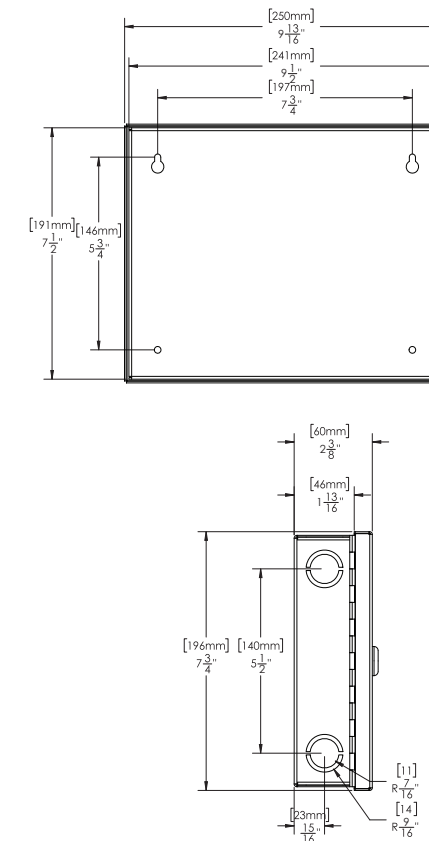
Maximum total length: 4000 ft (1219.2 m) for 22 AWG
Use twisted shielded pair. See LT-996 for complete details.



10 Ground and Power



11 Mount the TX3-PS24-5A 24 VDC, 156 W Power Supply



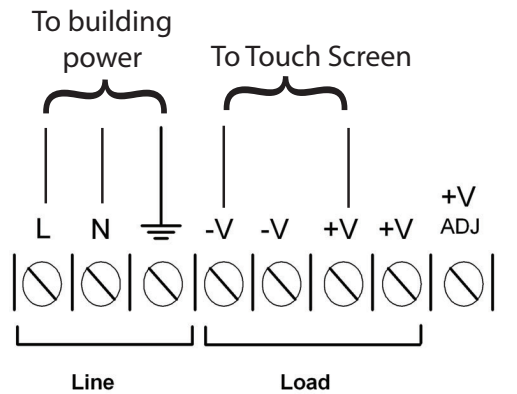
To surface mount the power supply enclosure:
You need 4 fasteners appropriate for the wall that you are mounting the enclosure on.

1. Find a suitable location for the power supply enclosure, such as over a wall stud.
2. Using the enclosure as a template, mark the two top mounting hole locations. Ensure that at least one side is over a wall stud.
3. Remove the enclosure and place two wall fasteners halfway into the marked hole locations.
4. Place the enclosure onto the fasteners and lower it so that the fasteners fit in the narrow part of the keyholes.
5. Screw the other two fasteners into the two remaining holes.
6. Tighten all four fasteners into place.

Note: The enclosure can also be mounted directly onto the drywall using anchors.

12 Connect the Power

1. Set the voltage selectable switch on the power supply to the appropriate voltage. The voltage selectable switch can be set to either 115 V or 230 V.
2. Connect the load power supply wires to the Touch Screen terminal screws as shown in step 10.
3. Connect the other end of the load power supply wires to the **Load** terminals.
4. Connect the building power supply wires to the **Line** terminals as shown below.
5. Turn the power on by pressing the power button.



13 Connect the UPS

Note: If the Touch Screen has Windows 10, then the UPS is not required. Touch Screens with Windows 10 have an SO-440/ SO-441/ SO-411 sticker with the version 2.15.7 or higher on the PC board.

Follow the manufacturer's instructions included with TX3-TOUCH-UPS-KIT, and see the Mircom document LT-6714, included with TX3-TOUCH-UPS-KIT.

WARNING

To ensure the security of occupants, change the level 3 passcode from its default setting. See LT-995 on mircom.com for details.