

For more details, see LT-996 and LT-969 on the Mircom website and the USB flash.
Mircom technical support: 1-888-647-2665

1 Mount the Enclosure

Attention: The 22" Touch Screen enclosure is heavy (80 lbs or 37 kg). Never attempt to lift this product by yourself. At least two people should lift it together.

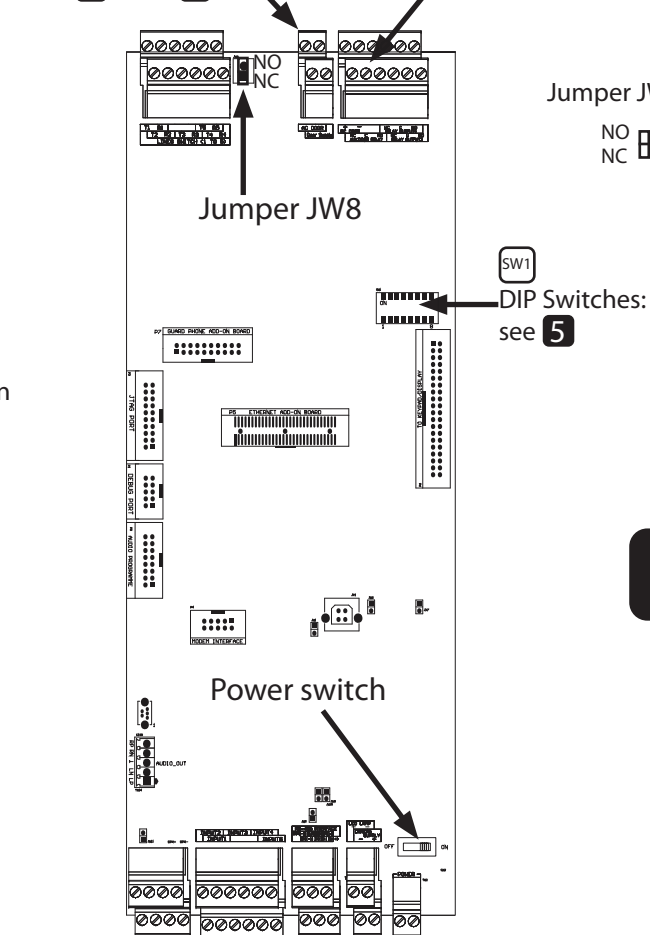
The enclosure right mounts on the wall. Mount the enclosure right-side up (the Mircom logo on the door is in the lower right corner).

- You need:**
6 fasteners appropriate for the wall that you are mounting the enclosure on.
1. Find a suitable location for the enclosure. You can mount the enclosure using the keyholes on the back, or the knockouts on the side, or both.
 2. Trace an opening in the wall for the enclosure with one side aligned with a wall stud.
 3. Cut an opening in the wall 3/32" (3 mm) larger than the tracing.
 4. Insert the enclosure into the wall cutout, and using the side of the enclosure as a template mark the hole mounting locations.
 5. If you are using the keyholes, remove the enclosure and place 2 fasteners halfway into the wall into the two top keyhole locations.
 6. Place the enclosure onto the top fasteners, then lower it so that the fasteners fit in the narrow part of the keyholes.
 7. Screw the other fasteners into the remaining holes.
 8. Tighten all fasteners into place.

Installation Prerequisites

- Verify that the building telephone infrastructure is operational. When wiring an NSL installation it may be necessary to check each resident's line.
- Ensure there is a provision for a ground circuit. The Telephone Access System assembly must be grounded by a qualified electrician. An improperly grounded unit can result in equipment malfunction and void the warranty.
- Use the latest Telephone Access System controller firmware. Mircom periodically updates panel firmware and Configurator Software to add features and correct any minor inconsistencies. For information about the latest firmware or software visit the 'Manuals and Downloads' section of the Mircom website at www.mircom.com

AC or DC Door Strikes: see 2 and 3
Auxiliary Door Strike: see 4



Warning: Turn the power off before wiring.
Install all power supplies outside the enclosure.

Wiring Requirements

Unless specified otherwise, all wiring is a maximum length of 1000 ft (304.8 m).

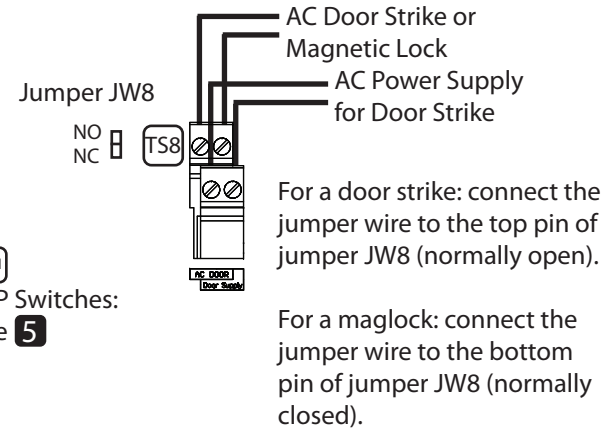
RS-485: Maximum total length: 4000 ft (1219.2 m)
Use twisted shielded pair.

Door Strike: The door strike power supply depends on the door strike power requirements.

Maximum Power Supply Wire Distances

Gauge	Distance
16	125 ft (38.1 m)
14	200 ft (60.96 m)
12	320 ft (97.536 m)
10	500 ft (152.4 m)

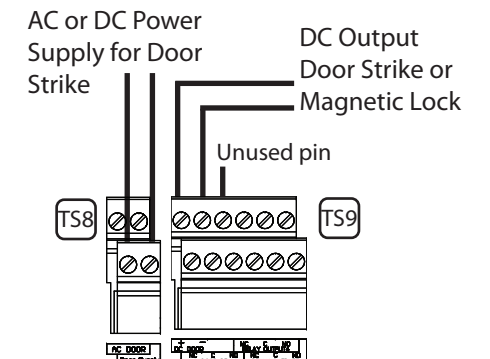
2 AC Door Strike or Maglock 18 AWG



For a door strike: connect the jumper wire to the top pin of jumper JW8 (normally open).

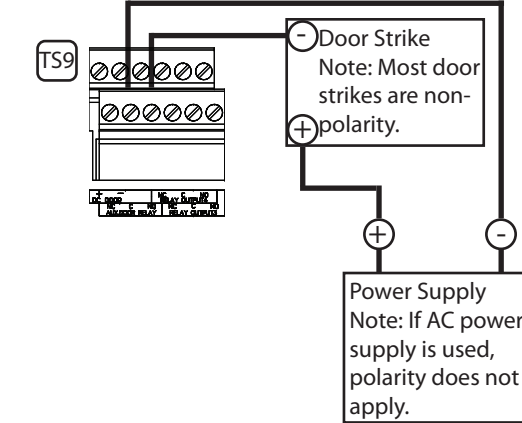
For a maglock: connect the jumper wire to the bottom pin of jumper JW8 (normally closed).

3 DC Door Strike (Output 1) 18 AWG

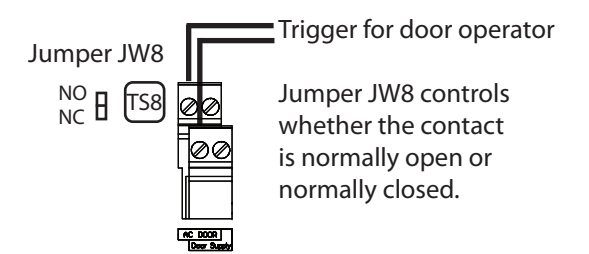


The maximum supply for the AC or DC Power Supply for Door Strike must not exceed:
28 VAC / 1 A max
30 VDC / 1 A max

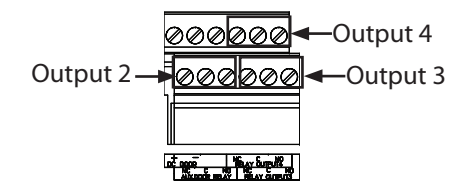
4 Auxiliary Door (Output 2) 18 AWG



Alternative Wiring for Dry Contact



Outputs 2-4



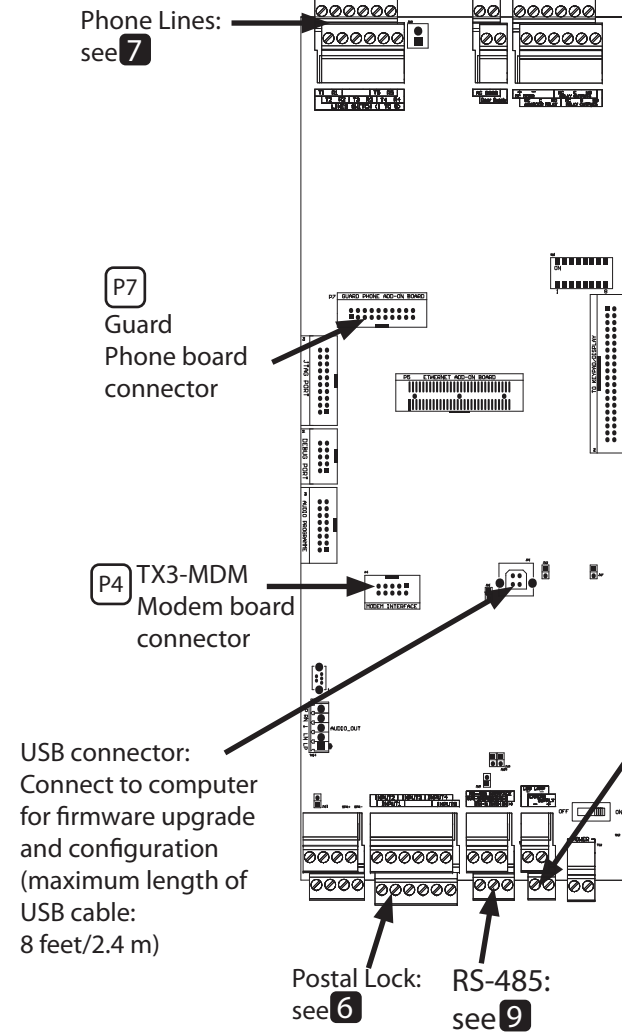
Contact ratings for outputs 2-4:
125 VAC / 2 A
30 VDC / 1 A

5 DIP Switch Settings for RS-485 Address

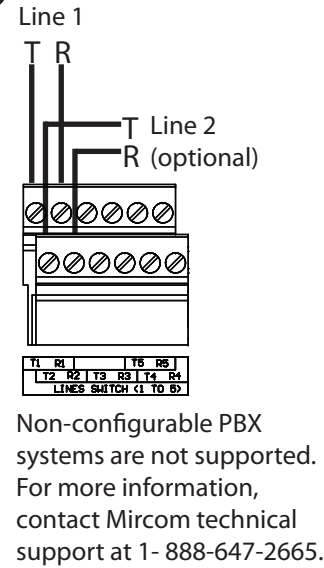


Each Touch Screen must have a unique RS-485 address.
Use DIP switches 1-6 to set the RS-485 network address. See LT-969 for details.
Leave DIP switch 7 on.

Warning: Turn the power off before wiring.

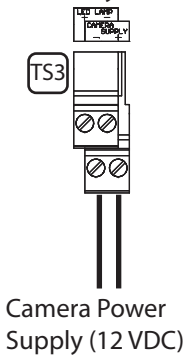


7 Phone Lines

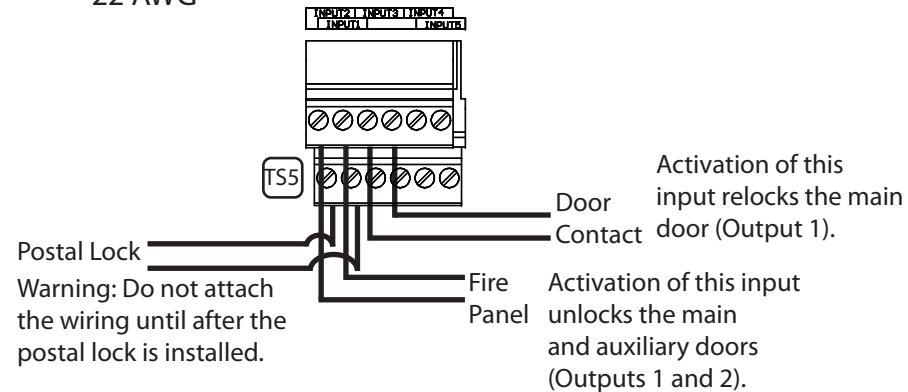


8 Camera Supply

Note: Do not use for any other purpose

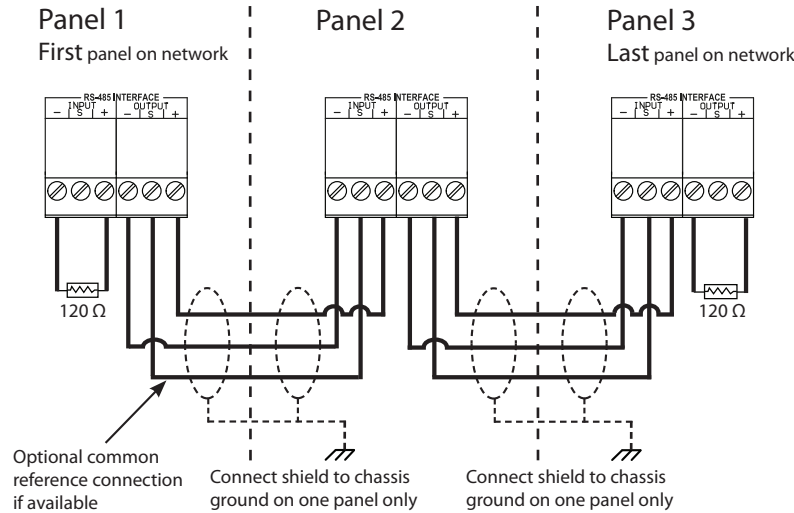


6 Postal Lock (Input 1) Fire Alarm Override (Input 2) Door Contact (Input 3) 22 AWG

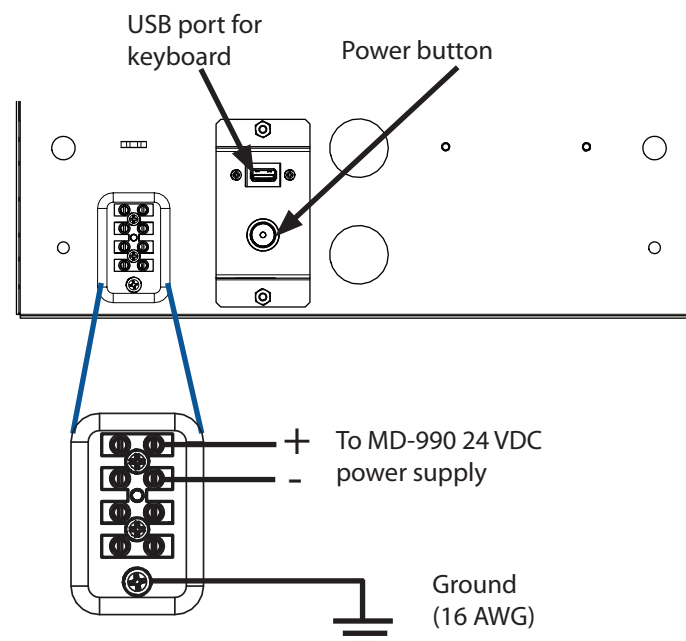


9 RS-485

Maximum total length: 4000 ft (1219.2 m) for 22 AWG
Use twisted shielded pair. See LT-996 for complete details.



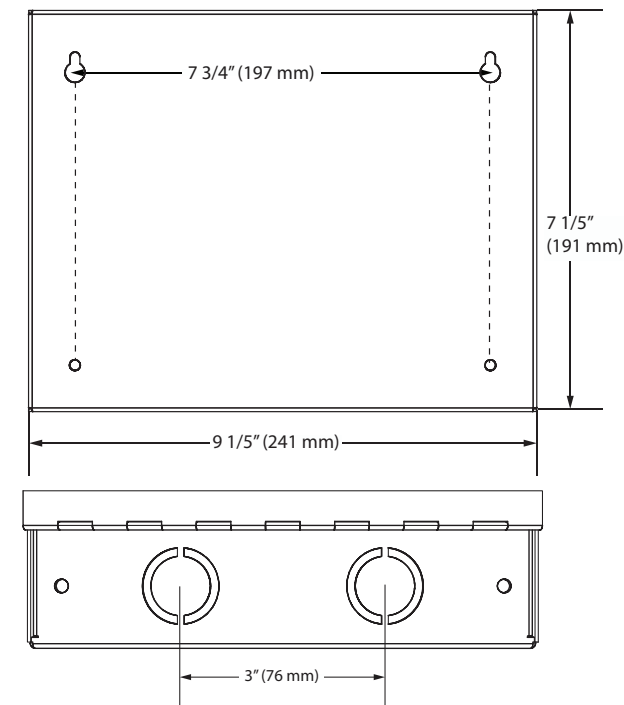
10 Ground and Power



Note: Mircom recommends using a 1000 VA uninterruptible power supply with 22 inch Touch Screens.

11 Mount the MD-990 24 VDC, 156 W Power Supply

Overall dimensions including door:
height: 7 23/32" (196 mm)
width: 9 53/64" (250 mm)
depth: 2 37/64" (66 mm)
Knockout dimensions: 1 1/8" (29 mm) and 7/8" (22 mm)



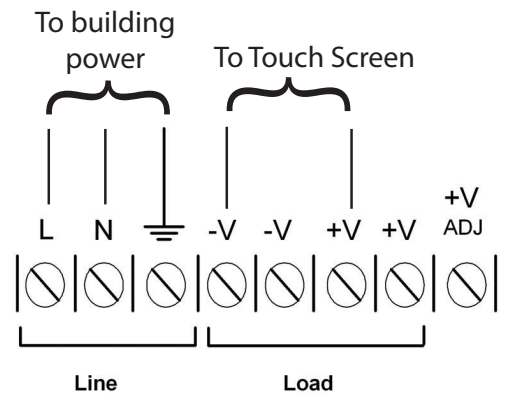
To surface mount the power supply enclosure: You need 4 fasteners appropriate for the wall that you are mounting the enclosure on.

1. Find a suitable location for the power supply enclosure, such as over a wall stud.
2. Using the enclosure as a template, mark the two top mounting hole locations. Ensure that at least one side is over a wall stud.
3. Remove the enclosure and place two wall fasteners halfway into the marked hole locations.
4. Place the enclosure onto the fasteners and lower it so that the fasteners fit in the narrow part of the keyholes.
5. Screw the other two fasteners into the two remaining holes.
6. Tighten all four fasteners into place.

Note: The enclosure can also be mounted directly onto the drywall using anchors.

12 Connect the Power

1. Set the voltage selectable switch on the power supply to the appropriate voltage. The voltage selectable switch can be set to either 115 V or 230 V.
2. Connect the load power supply wires to the Touch Screen terminal screws as shown in step 10.
3. Connect the other end of the load power supply wires to the Load terminals.
4. Connect the building power supply wires to the Line terminals as shown below.
5. Turn the power on by pressing the power button.



WARNING
To ensure the security of occupants, change the level 3 passcode from its default setting. See LT-995 on mircom.com for details.

Mircom
<http://www.mircom.com>

CANADA - Main Office
25 Interchange Way
Vaughan, ON L4K 5W3
Tel: (888) 660-4655
(905) 660-4655

U.S.A
4575 Witmer Industrial Estates
Niagara Falls, NY 14305
Tel: (888) 660-4655

TECHNICAL SUPPORT
Tel: (888) 647-2665