

Mircom
<http://www.mircom.com>
 CANADA - Main Office
 25 Interchange Way
 Vaughan, ON L4K 5W3
 Tel: (888) 660-4655
 (905) 660-4655

U.S.A
 4575 Witmer Industrial Estates
 Niagara Falls, NY 14305
 Tel: (888) 660-4655
 TECHNICAL SUPPORT
 Tel: 1-888-647-2665

For more details, see LT-996 and LT-969 on the Mircom website and the USB flash.
 Mircom technical support: 1-888-647-2665

1 Mount the Enclosure

Attention: The 22" Touch Screen enclosure is heavy (80 lbs or 37 kg). Never attempt to lift this product by yourself. At least two people should lift it together.

The enclosure mounts on the wall. Mount the enclosure right-side up (the Mircom logo on the door is in the lower right corner).

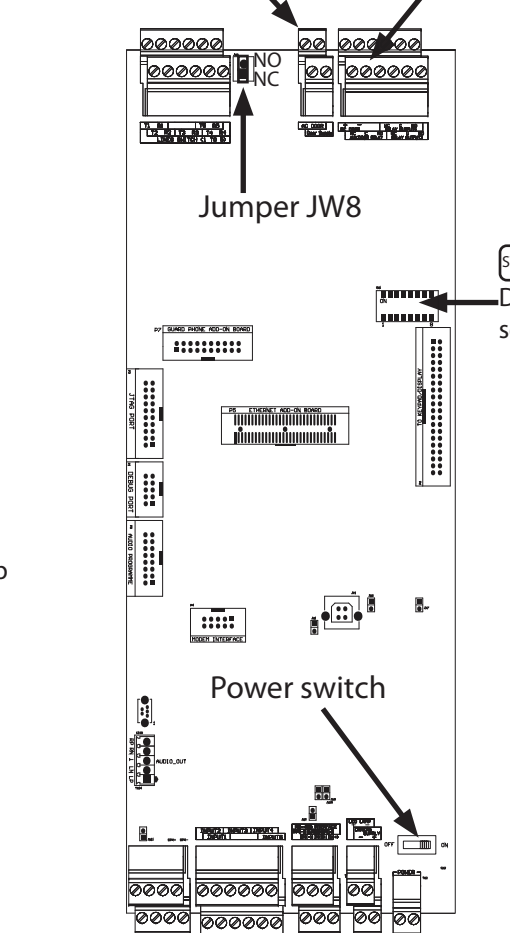
You need:
 4 fasteners appropriate for the wall that you are mounting the enclosure on.

1. Find a suitable location for the enclosure. The wall must be able to support a weight of 80 lbs (37 kg).
2. Mark the back mounting locations of the two top screws. Ensure that at least one screw is over a wall stud.
3. Place the fasteners halfway into the wall in the two top keyhole locations and wall stud.
4. Place the enclosure onto the fasteners, then lower it so that the fasteners fit in the narrow part of the keyholes.
5. Screw the other fasteners into the remaining holes.
6. Tighten all fasteners into place.

Installation Prerequisites

- Verify that the building telephone infrastructure is operational. When wiring an NSL installation it may be necessary to check each resident's line.
- Ensure there is a provision for a ground circuit. The Telephone Access System assembly must be grounded by a qualified electrician. An improperly grounded unit can result in equipment malfunction and void the warranty.
- Use the latest Telephone Access System controller firmware. Mircom periodically updates panel firmware and Configurator Software to add features and correct any minor inconsistencies. For information about the latest firmware or software visit the 'Manuals and Downloads' section of the Mircom website at www.mircom.com

2 AC Door Strike or Maglock



Warning: Turn the power off before wiring.
Install all power supplies outside the enclosure.

Wiring Requirements
 Unless specified otherwise, all wiring is a maximum length of 1000 ft (304.8 m).

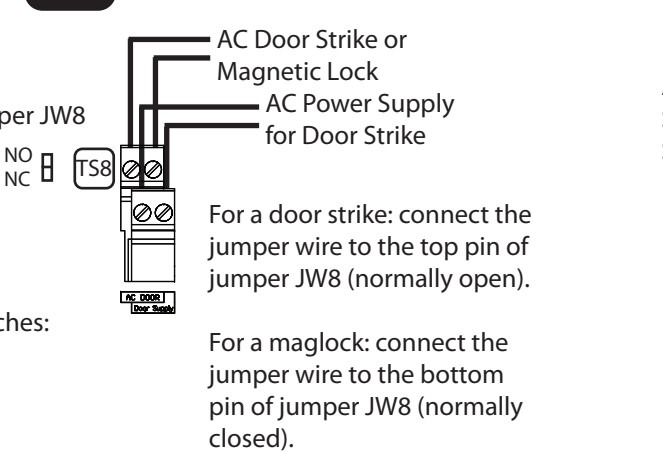
RS-485: Maximum total length: 4000 ft (1219.2 m)
 Use twisted shielded pair.

Door Strike: The door strike power supply depends on the door strike power requirements.

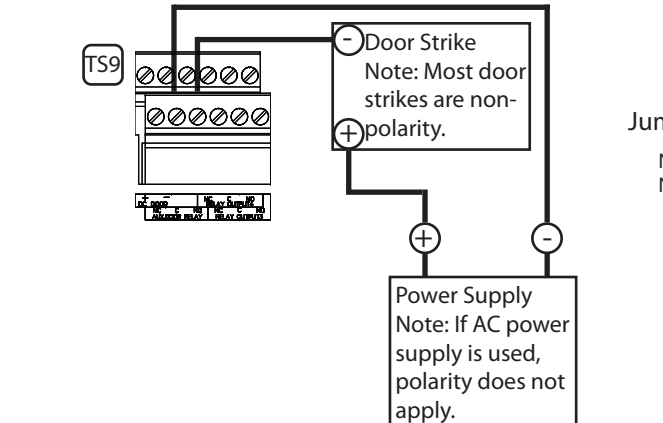
Maximum Power Supply Wire Distances

Gauge	Distance
16	125 ft (38.1 m)
14	200 ft (60.96 m)
12	320 ft (97.536 m)
10	500 ft (152.4 m)

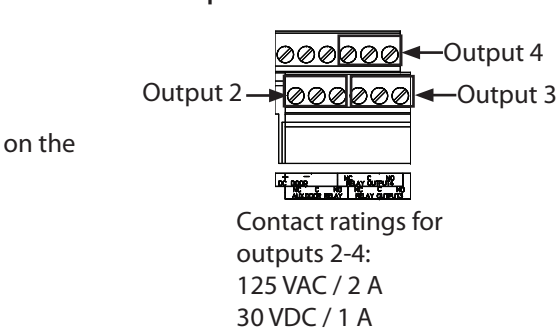
3 DC Door Strike (Output 1)



4 Auxiliary Door (Output 2)

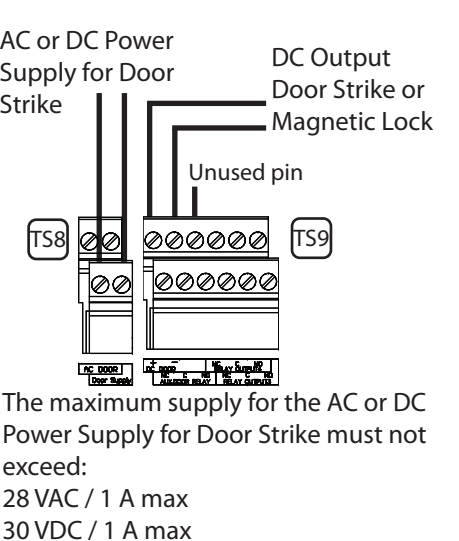


Outputs 2-4

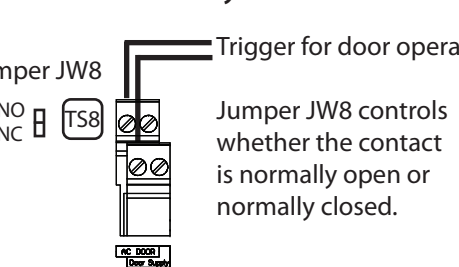


Contact ratings for outputs 2-4:
 125 VAC / 2 A
 30 VDC / 1 A

5 DIP Switch Settings for RS-485 Address



Alternative Wiring for Dry Contact



5 DIP Switch Settings for RS-485 Address



Each Touch Screen must have a unique RS-485 address.
 Use DIP switches 1-6 to set the RS-485 network address. See LT-969 for details.
 Leave DIP switch 7 on.

